

LISTA DE APLICACIONES - BUYERS GUIDE

RB2544

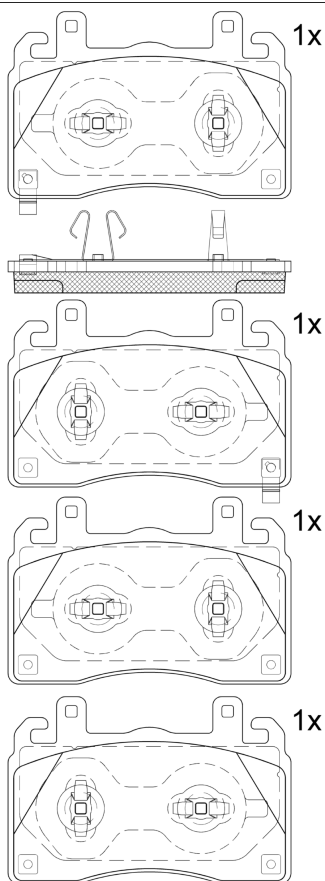


8 424073 295019

Qty: 300

Weight:

O.E.M.	MAKE
77361117	ALFA ROMEO
77369330	ALFA ROMEO



RB2544

E 9 90R-IN PROJECT



Brembo

131.8x87.1x15.5

WVA
26844
26845
26846
26847

Sin Filas



Trac.	CC	Kw	CV
-------	----	----	----



Front / Rear

ALFA ROMEO

TONALE (965_) 03.22-

SUV (Subcompact SUV-B Segment)

Model	Fuel	Trac.	CC	Kw	CV	Year	Notes
1.3 Hybrid Q4	Gasol./el éc.	4WD	1332	140	190	03.22-	*
1.3 Hybrid Q4	Gasol./el éc.	4WD	1332	206	280	03.22-	*
1.3 Hybrid Q4	Gasol./el éc.	4WD	1332	208	283	03.22-	*
1.5 Mild Hybrid (46347812)	Gasol./el éc.	FWD	1469	96	131	03.22-	*
1.5 Mild Hybrid (46347696)	Gasol./el éc.	FWD	1469	118	160	03.22-	*
1.6 VGT-D	Diesel	FWD	1598	96	131	09.22-	*