

LISTA DE APLICACIONES - BUYERS GUIDE

RB2540

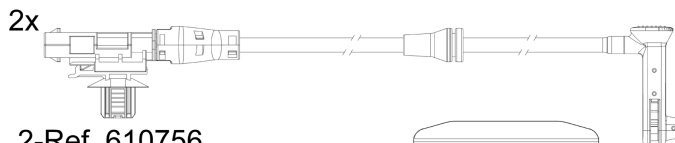
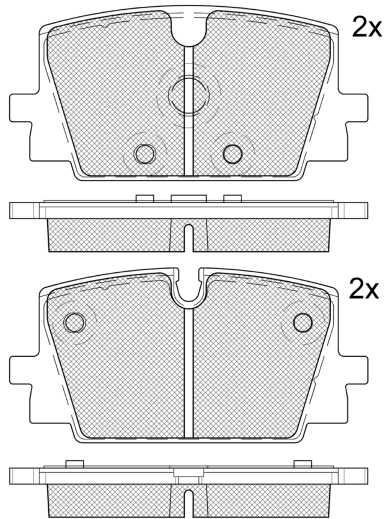


8 424073 294890

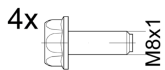
Qty: 300

Weight: 1.805

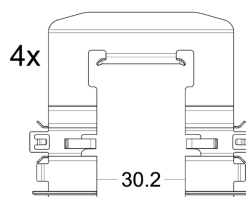
O.E.M.	MAKE
3 230 258 6	VOLVO
3 230 258 60	VOLVO



2-Ref. 610756



2-Ref. 690383 E



1-Ref. 690723 E

RB2540

E 9 90R-02A0111/6147



Trw

122.5x59.8x17.5
122.5x59.9x17.5

WVA	FMSI
27096	D2584-9812
27097	

Sin Filas



Trac.	CC	Kw	CV
-------	----	----	----



Front / Rear

POLESTAR

POLESTAR 3 (359) 10.23-

SUV (Executive car-E Segment)

Model	Trac.	CC	Kw	CV	Year	Notes
EV	RWD		220	299	10.23-	*
EV	4WD		360	489	10.23-	*
EV	4WD		380	517	10.23-	*

VOLVO

EX90 (356) 11.22-

SUV (Luxury Crossover SUV-J Segment)

Model	Trac.	CC	Kw	CV	Year	Notes
Electric	RWD		205	279	07.23-	*
Electric	RWD		245	333	09.25-	*
ELECTRIC AWD	4WD		300	408	11.22-	*
ELECTRIC AWD	4WD		335	455	09.25-	*
Performance AWD	4WD		380	517	11.22-	*
Performance AWD	4WD		500	680	09.25-	*