

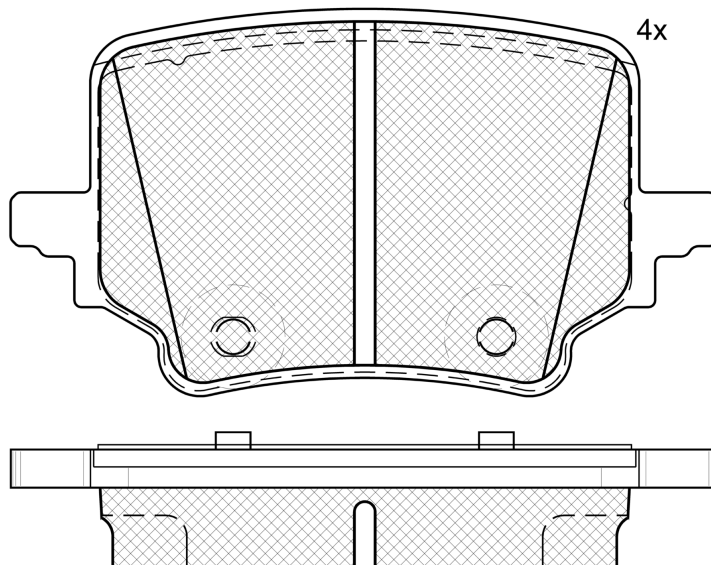
LISTA DE APLICACIONES - BUYERS GUIDE

RB2537



Qty: 300 Weight: 1.145

O.E.M.	MAKE
3WA 698 451	SKODA



RB2537

E 9 90R-02A0111/6070



ZF Sachs

102.3x55.9x17.6

WVA	FMSI
27092	D2643-9865

Sin Filas



Trac.	CC	Kw	CV
-------	----	----	----



Front / Rear

AUDI

Q3 III (FJB) 07.25-					SUV (Compact Crossover SUV-C Segment)			
2.0 TFSI quattro	Gasolina	4WD	1984	150	204	07.25-	*	
2.0 TFSI quattro	Gasolina	4WD	1984	195	265	07.25-	*	
1.5 TFSI	Gasol./el éc.	FWD	1498	110	150	07.25-	*	
1.5 TFSI PHEV	Gasol./el éc.	FWD	1498	200	272	07.25-	*	
2.0 TDI	Diesel	FWD	1968	110	150	07.25-	*	

CUPRA

TERRAMAR (KP1) 06.24-					SUV (Compact Crossover SUV-C Segment)			
2.0 TSI 4Drive	Gasolina	4WD	1984	150	204	01.25-	*	
2.0 TSI VZ 4Drive	Gasolina	4WD	1984	195	265	11.24-	*	
2.0 America's Cup 4Drive	Gasolina	4WD	1984	234	318	06.25-	*	
1.5 eTSI	Gasol./el éc.	FWD	1498	110	150	11.24-	*	
1.5 TSI eHybrid	Gasol./el éc.	FWD	1498	150	204	06.24-	*	
1.5 e-HYBRID VZ	Gasol./el éc.	FWD	1498	200	272	11.24-	*	

SKODA

KODIAQ II (PS7) 01.24-					SUV (Large SUV-J Segment)			
1.4 TSI	Gasolina	FWD	1395	110	150	04.24-	*	
2.0 TSI 4x4	Gasolina	4WD	1984	150	204	11.24-	*	
2.0 TSI 4x4	Gasolina	4WD	1984	195	265	01.25-	*	
1.5 TSI mHEV	Gasol./el éc.	FWD	1498	110	150	01.24-	*	

LISTA DE APLICACIONES - BUYERS GUIDE

1.5 TSI iV PHEV		Gasol./el éc.	FWD	1498	150	204	04.24-	*
2.0 TDI		Diesel	FWD	1968	110	150	01.24-	*
2.0 TDI 4x4		Diesel	4WD	1968	110	150	08.24-	*
2.0 TDI 4x4		Diesel	4WD	1968	142	193	01.24-	*
SUPERB IV (NZ5) 11.23-					[CAMBIADO]:Break (Executive car-E Segment)			
2.0 TSI		Gasolina	FWD	1984	150	204	11.24-	*
2.0 TSI 4x4		Gasolina	4WD	1984	195	265	05.24-	*
1.5 TSI mHEV		Gasol./el éc.	FWD	1498	110	150	11.23-	*
1.5 TSI iV PHEV		Gasol./el éc.	FWD	1498	150	204	04.24-	*
2.0 TDI		Diesel	FWD	1968	110	150	11.23-	*
2.0 TDI 4x4		Diesel	4WD	1968	142	193	02.24-	*
SUPERB IV (NZ3) 11.23-					[CAMBIADO]:Fastback (Executive car-E Segment)			
2.0 TSI		Gasolina	FWD	1984	150	204	11.24-	*
2.0 TSI 4x4		Gasolina	4WD	1984	195	265	02.24-	*
1.5 TSI mHEV		Gasol./el éc.	FWD	1498	110	150	11.23-	*
1.5 TSI iV		Gasol./el éc.	FWD	1498	150	204	01.25-	*
2.0 TDI		Diesel	FWD	1968	110	150	11.23-	*
2.0 TDI 4x4		Diesel	4WD	1968	142	193	03.24-	*
VW								
PASSAT B9 Variant (CJ5) 10.23-					[CAMBIADO]:Break (Large family car-D Segment)			
2.0 TSI		Gasolina	FWD	1984	150	204	11.24-	*
2.0 TSI 4motion		Gasolina	4WD	1984	195	265	05.24-	*
1.5 eTSI		Gasol./el éc.	FWD	1498	110	150	10.23-	*
1.5 TSI eHybrid		Gasol./el éc.	FWD	1498	150	204	03.24-	*
1.5 TSI eHybrid		Gasol./el éc.	FWD	1498	200	272	03.24-	*
2.0 TDI		Diesel	FWD	1968	90	122	04.24-	*
2.0 TDI		Diesel	FWD	1968	110	150	04.24-	*
2.0 TDI 4motion		Diesel	4WD	1968	142	193	10.23-	*
TAYRON (R41) 11.24-					SUV (Compact Crossover CUV-C Segment)			
2.0 TSI 4motion		Gasolina	4WD	1984	150	204	11.24-	*
2.0 TSI 4motion		Gasolina	4WD	1984	195	265	11.24-	*
1.5 eTSI		Gasol./el éc.	FWD	1498	110	150	11.24-	*
1.5 eHybrid		Gasol./el éc.	FWD	1498	150	204	11.24-	*
1.5 eHybrid		Gasol./el éc.	FWD	1498	200	272	11.24-	*
2.0 TDI		Diesel	FWD	1968	110	150	11.24-	*
2.0 TDI 4motion		Diesel	4WD	1968	142	193	11.24-	*
TIGUAN III (CT1) 09.23-					SUV (Compact SUV-J Segment)			
2.0 TSI 4motion		Gasolina	4WD	1984	150	204	11.24-	*
2.0 TSI 4motion		Gasolina	4WD	1984	195	265	08.24-	*
1.5 eTSI		Gasol./el éc.	FWD	1498	96	131	09.23-	*
1.5 eTSI		Gasol./el éc.	FWD	1498	110	150	09.23-	*
1.5 TSI eHybrid		Gasol./el éc.	FWD	1498	150	204	03.24-	*

LISTA DE APLICACIONES - BUYERS GUIDE

1.5 TSI eHybrid		Gasol./el éc.	FWD	1498	200	272	03.24-	*
2.0 TDI		Diesel	FWD	1968	110	150	09.23-	*
2.0 TDI 4motion		Diesel	4WD	1968	142	193	09.23-	*