


LISTA DE APLICACIONES - BUYERS GUIDE

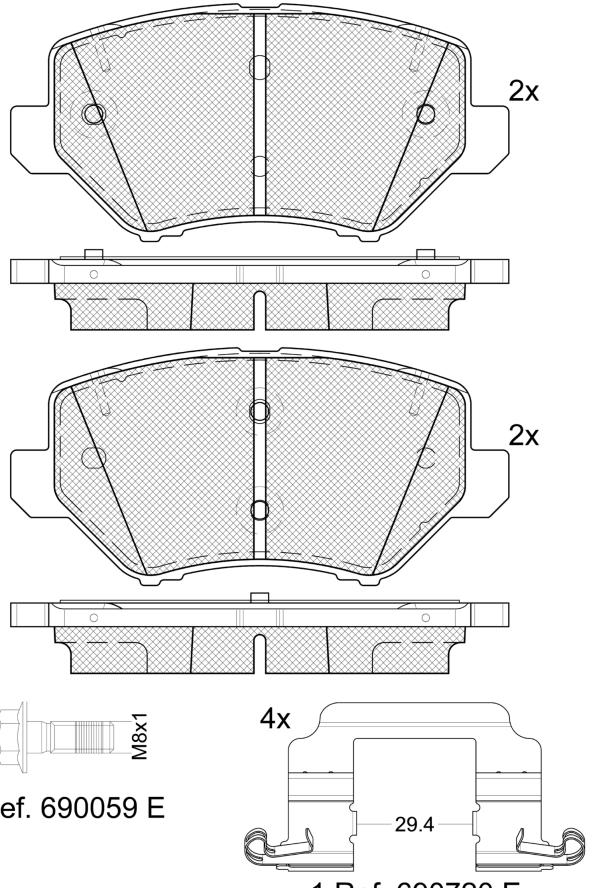
RB2536

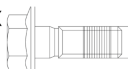


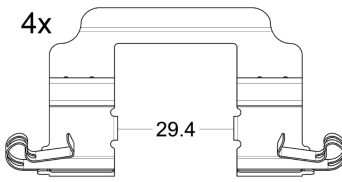
8 424073 293817

Qty: 300 Weight: 1.770

O.E.M.	MAKE
9843801880	LANCIA
9866880680	PEUGEOT




4x  MBx1
2 Ref. 690059 E

4x  29.4
1 Ref. 690720 E

RB2536

E 9

90R-02A0111/6184



Apg

126.1x60.2x18.5

WVA	FMSI
27121	D2651-9873

Sin Filas



Trac.	CC	Kw	CV			Front / Rear
-------	----	----	----	---	---	--------------

CITROËN								
C3 IV (CC_, CB_) 01.24-						[CAMBIADO]:Fastback (Mini SUV-J Segment)		
1.2 PureTech 100 (CCHPV4)		Gasolina	FWD	1199	74	101	04.24-	*
1.2 Hybrid 110 (CCHPY7)		Gasol./el éc.	FWD	1199	81	110	11.24-	*
ë-C3 (CBZYAZ)		Eléctrico	FWD		83	113	01.24-	*
C3 IV (CC_, CB_) 01.24-						Furgón/hatchback (Mini SUV-J Segment)		
ë-C3		Eléctrico	FWD		83	113	04.24-	*
FIAT								
GRANDE PANDA (325) 10.24-						[CAMBIADO]:Fastback (Supermini car-B Segment)		
1.2 (325)		Gasolina	FWD	1199	74	101	09.25-	*
1.2 Mild Hybrid (325)		Gasol./el éc.	FWD	1199	81	110	01.25-	*
EV (325)		Eléctrico	FWD		83	113	10.24-	*
LANCIA								
YPSILON IV (L21) 02.24-						[CAMBIADO]:Fastback (Supermini car-B Segment)		
Mild Hybrid		Gasol./el éc.	FWD	1199	74	101	04.24-	*
EV		Eléctrico	FWD		115	156	02.24-	*
EV		Eléctrico	FWD		207	281	09.25-	*
OPEL								
CORSA F (P2JO) 07.19-						[CAMBIADO]:Fastback (Supermini car-B Segment)		
1.2 (68) (F 12 XEL (EB2FAD))		Gasolina	FWD	1199	55	75	07.19-	*
1.2 (68) (F 12 XHL (EB2ADTD))		Gasolina	FWD	1199	74	101	07.19-	*

LISTA DE APLICACIONES - BUYERS GUIDE

1.2 (68) (F 12 XHT (EB2ADTS))		Gasolina	FWD	1199	96	131	07.19-	*	
1.2 MHEV		Gasol./el éc.	FWD	1199	74	101	08.23-	*	
1.2 MHEV		Gasol./el éc.	FWD	1199	81	110	04.25-	*	
1.2 Turbo Hybrid (68)		Gasol./el éc.	FWD	1199	100	136	01.24-	*	
Corsa-e (68) (ZKX (ZK01))		Eléctrico	FWD		100	136	07.19-	*	
1.5 (68) (D 15 DT (DV5RD))		Diesel	FWD	1499	75	102	07.19-	*	
CORSA F Van 07.19-					Furgón/hatchback (Supermini car-B Segment)				
1.2 (68) (F 12 XEL (EB2FAD))		Gasolina	FWD	1199	55	75	07.19-	*	
1.5 (68) (D 15 DT (DV5RD))		Diesel	FWD	1499	75	102	07.19-	*	
FRONTERA (OV24) 07.24-					SUV ()				
1.2 MHEV		Gasol./el éc.	FWD	1199	74	101	07.24-	*	
1.2 Hybrid		Gasol./el éc.	FWD	1199	81	110	04.25-	*	
1.2 MHEV		Gasol./el éc.	FWD	1199	100	136	07.24-	*	
1.2 Hybrid		Gasol./el éc.	FWD	1199	107	146	04.25-	*	
PEUGEOT									
2008 II (UD_, US_, UY_, UJ_, UR_, UC_) 08.19-					SUV (Compact SUV-J Segment)				
1.2 PureTech 100 (USHNK) (HNK (EB2ADTD))		Gasolina	FWD	1199	74	101	11.19-	*	
1.2 PureTech 130 (USHNS, URHNS) (HNS (EB2ADTS))		Gasolina	FWD	1199	96	131	08.19-	*	
1.2 THP / PureTech 155 (USHNNS, URHNNS, UXHNJP, URHNJP,... (HNJ (EB2ADTXM))		Gasolina	FWD	1199	114	155	11.19-	*	
1.2 THP / PureTech 155 (USHNNS, URHNNS, UXHNJP, URHNJP,... (HNN (EB2ADTX))		Gasolina	FWD	1199	114	155	11.19-	*	
1.2 THP / PureTech 155 (USHNNS, URHNNS, UXHNJP, URHNJP,... (HNR (EB2ADTXM))		Gasolina	FWD	1199	114	155	11.19-	*	
1.2 Hybrid 136 (URHPYC, USHPY)		Gasol./el éc.	FWD	1199	100	136	11.23-	*	
1.5 BlueHDi 100 (YHY (DV5RD))		Diesel	FWD	1499	75	102	08.19-	*	
1.5 BlueHDI 110 (UDYHSK)		Diesel	FWD	1499	81	110	01.21-	*	
1.5 BlueHDi 130 (YHZ (DV5RC))		Diesel	FWD	1499	96	131	08.19-	*	