

LISTA DE APLICACIONES - BUYERS GUIDE

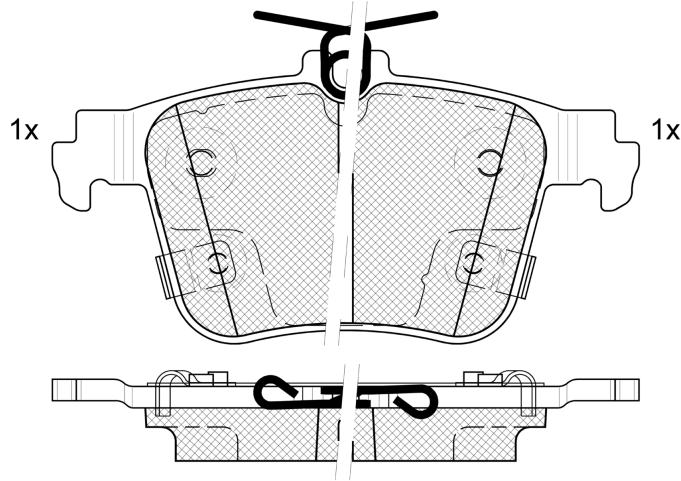
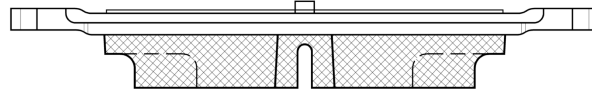
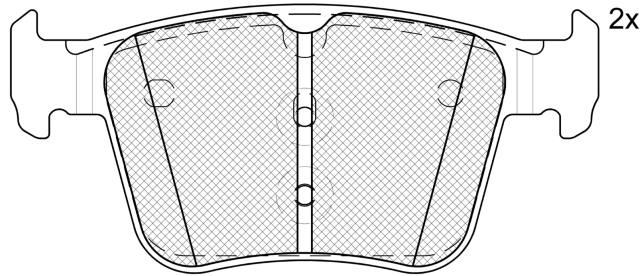
RB2527



8 424073 293398

Qty: 300

Weight: 1.115



RB2527

E 9 90R-02A0111/6165



Ate - Teves

122.9x61.4x16.3
123.1x56.3x16.3

WVA

26573

26574

26575

Sin Filas



Trac.	CC	Kw	CV
-------	----	----	----



Front / Rear

MG

MG 4 (EH32) (EH32) 07.22-

[CAMBIADO]:Fastback (Compact car-C Segment)

Model	Powertrain	Trac.	CC	Kw	CV	Year	Notes
EV	Eléctrico	RWD		125	170	07.22-	*
EV	Eléctrico	RWD		150	204	07.22-	*
EV	Eléctrico	RWD		180	245	07.22-	*

MG HS (AS23) 09.18-

SUV (Compact SUV-J Segment)

Model	Powertrain	Trac.	CC	Kw	CV	Year	Notes
EHS 1,5T GDI Hybrid	Gasol./el éc.	FWD	1490	209	284	01.23-	*
1.5 T PHEV	Gasol./el éc.	FWD	1496	226	307	09.24-	*
1.5 T PHEV	Gasol./el éc.	FWD	1496	249	339	09.24-	*