

LISTA DE APLICACIONES - BUYERS GUIDE

RB2519

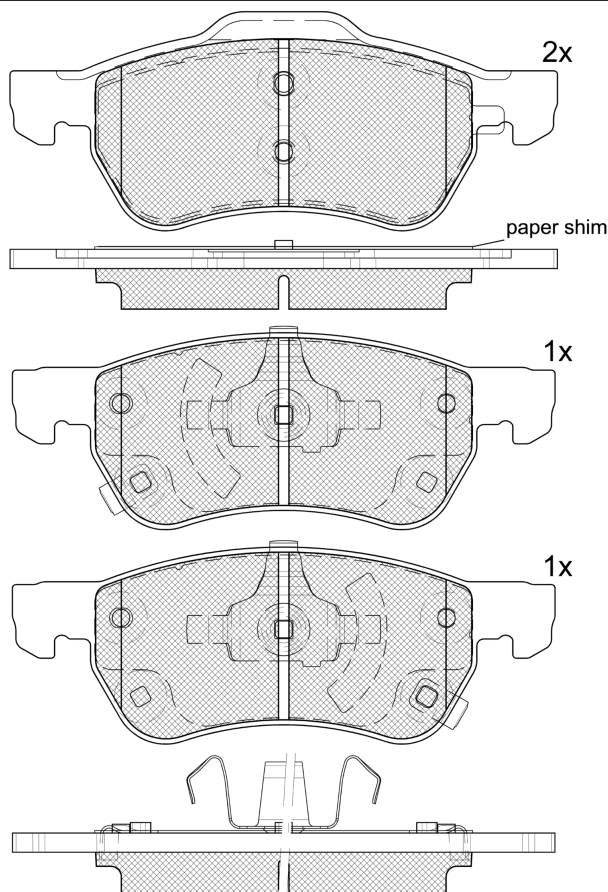


8 424073 293237

Qty: 300

Weight: 1.685

O.E.M.	MAKE
10088104	SAIC MOTOR
10197211	MG
10343249	SAIC MOTOR



RB2519

E 9 90R-02A0111/5527



Ate - Teves

155.1x56.3x17.8
156.5x62.6x17.8

WVA	FMSI
22409	D2031-9265
22410	
22411	

Sin Filas



Trac.	CC	Kw	CV		
				Front / Rear	

MG

MG 350 (AP11) 01.11-						Sedán (Compact car-C Segment)			
1.5 (15S4U)		Gasolina	FWD	1498		78	106	01.11-	*
MG 5 03.12-						[CAMBIADO]:Fastback (Supermini car-B Segment)			
1.5 (15S4U)		Gasolina	FWD	1498		78	106	03.12-	*
MG ZS SUV (AZS1) 10.17-						SUV (Subcompact SUV-B Segment)			
1.0 T-GDI (10E4E)		Gasolina	FWD	999		82	111	10.17-	*
1.5 VTi (15S4C)		Gasolina	FWD	1498		78	106	10.17-	*
1.5 VTi (15S4C)		Gasolina	FWD	1498		84	114	10.17-	*
1.5 VTi		Gasolina	FWD	1498		88	120	10.18-	*

MG (SAIC)

5 03.12-						[CAMBIADO]:Fastback (Supermini car-B Segment)			
1.5 (15S4U)		Gasolina	FWD	1498		79	107	03.12-12.17	*
1.5		Gasolina	FWD	1498		80	109	03.12-12.17	*
1.5 (15S4G)		Gasolina	FWD	1498		95	129	03.12-12.17	*
GT 11.14-						Sedán (Supermini car-B Segment)			
1.4 TGI		Gasolina	FWD	1368		110	150	11.14-	*
1.5 TCI		Gasolina	FWD	1498		95	129	11.14-12.20	*
ZS 03.17-						SUV ()			
1.0 T (CSA7101) (10E4E)		Gasolina	FWD	999		92	125	03.17-	*

ROEWE (SAIC)

LISTA DE APLICACIONES - BUYERS GUIDE

350 (350) 04.10-					Sedán (Compact car-C Segment)			
1.5	Gasolina	FWD	1498	80	109	04.10-12.18	*	
1.5 T	Gasolina	FWD	1498	95	129	02.13-	*	
360 09.15-					Sedán (Compact car-C Segment)			
20 T 1.4	Gasolina	FWD	1399	115	156	09.15-	*	
1.5	Gasolina	FWD	1498	80	109	09.15-	*	
360 PLUS 11.17-					Sedán (Compact car-C Segment)			
1.5	Gasolina	FWD	1498	85	116	11.17-	*	