

# LISTA DE APLICACIONES - BUYERS GUIDE

## RB2518

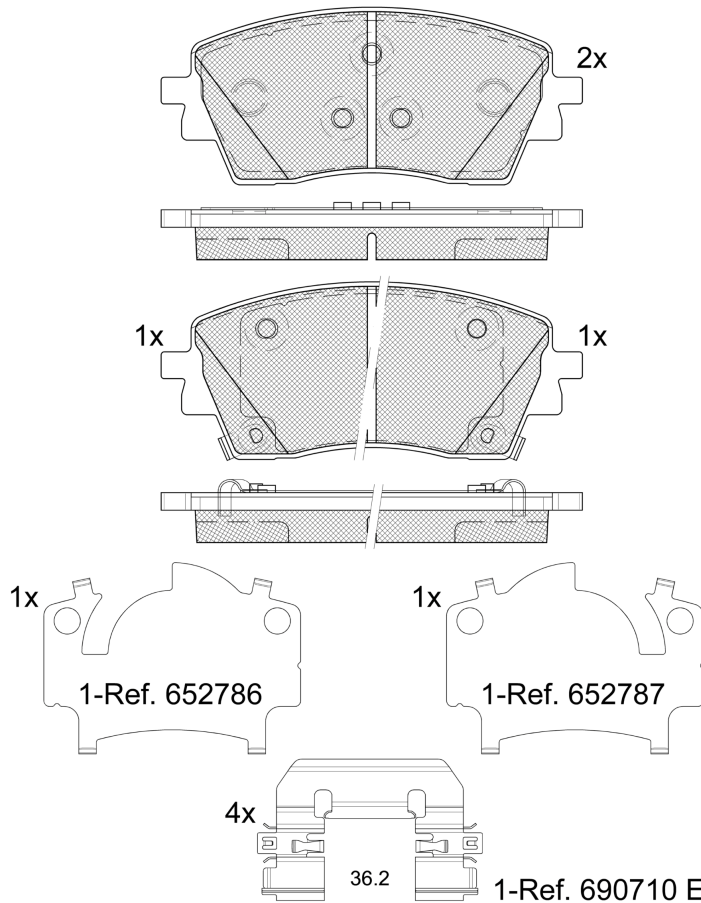


8 424073 293213

Qty: 300

Weight: 2.130

O.E.M.	MAKE
58101-BEA25	HYUNDAI



## RB2518

E 9 90R-02A0111/6110



Mando

144.4x65.8x17.6

**WVA**

26982

26983

26984

Sin Filas



Trac.	CC	Kw	CV
-------	----	----	----



Front / Rear

### HYUNDAI

#### KONA (SX2) 04.23-

#### SUV (Subcompact SUV-B Segment)

Model	Trac.	CC	Kw	CV	Year	Notes
1.0 T-GDI	Gasolina	FWD	998	88	120	04.23- *
1.6 T-GDI	Gasolina	FWD	1598	102	139	09.24- *
1.6 T-GDI	Gasolina	FWD	1598	146	199	04.23- *
1.6 T-GDi 4WD	Gasolina	4WD	1598	146	199	04.23- *
1.0 T-GDI hibrid 48V	Gasol./el éc.	FWD	998	88	120	04.23- *
1.6 GDI Hibrid	Gasol./el éc.	FWD	1580	95	129	04.24- *
1.6 T-GDi Hibrid	Gasol./el éc.	FWD	1580	104	141	04.23- *
GDI Hibrid (G4LL)	Gasol./el éc.	FWD	1580	104	141	01.23- *