

LISTA DE APLICACIONES - BUYERS GUIDE

RB2517

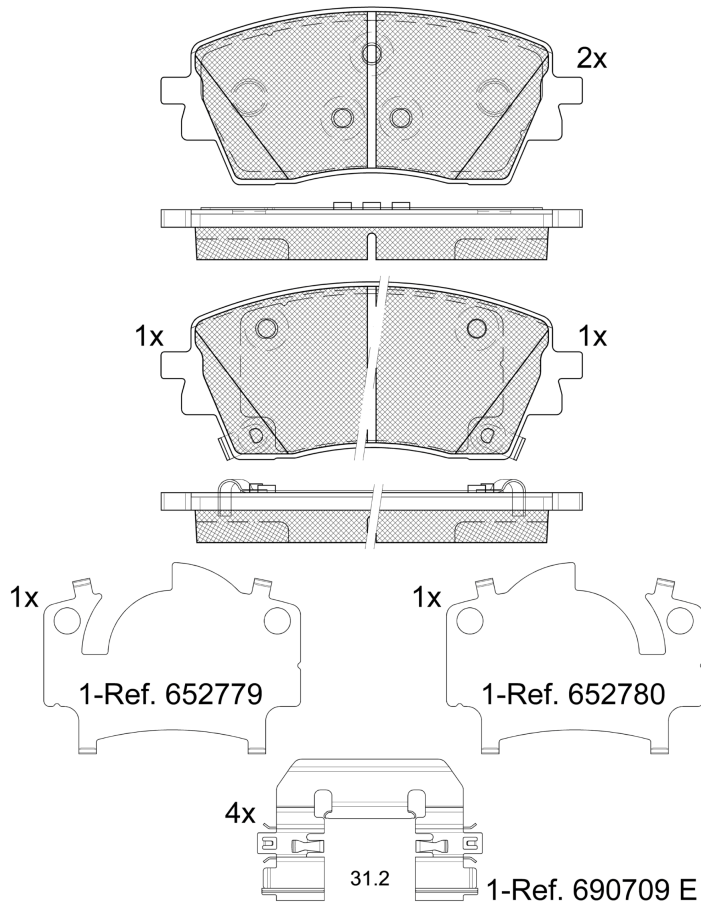


8 424073 293190

Qty: 300

Weight: 2.000

O.E.M.	MAKE
58101-BEA10	HYUNDAI
58101-BEA15	HYUNDAI
58101-DFA15	HYUNDAI



RB2517

E 9 90R-02A0111/5974



Mando

144.4x60.9x17.8

WVA	FMSI
26985	D2523-9755
26986	
26987	

Sin Filas



Trac.	CC	Kw	CV
-------	----	----	----



Front / Rear

HYUNDAI

KONA (SX2) 04.23-

SUV (Subcompact SUV-B Segment)

Model	Trac.	CC	Kw	CV	Year	Notes
1.0 T-GDI	FWD	998	88	120	04.23-	*
1.6 T-GDI	FWD	1598	102	139	09.24-	*
1.6 T-GDI	FWD	1598	146	199	04.23-	*
1.6 T-GDi 4WD	4WD	1598	146	199	04.23-	*
1.0 T-GDI hybrid 48V	FWD	998	88	120	04.23-	*
1.6 GDI Hybrid	FWD	1580	95	129	04.24-	*
1.6 T-GDi Hybrid	FWD	1580	104	141	04.23-	*
GDI Hybrid (G4LL)	FWD	1580	104	141	01.23-	*