

LISTA DE APLICACIONES - BUYERS GUIDE

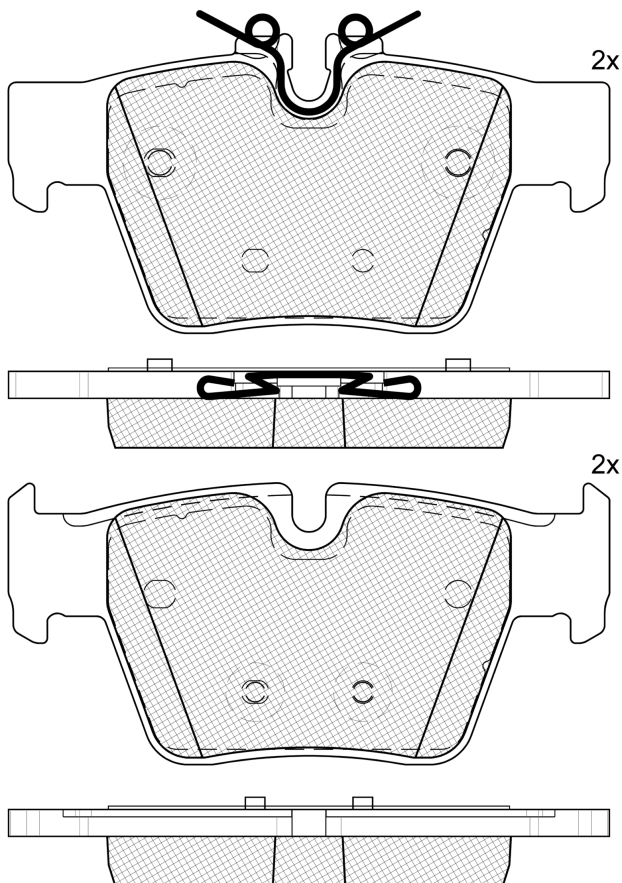
RB2510



Qty: 300

Weight: 1.305

O.E.M.	MAKE
34 20 8 842 964	BMW
8842964	BMW



RB2510

E 9 90R-02A0111/6016



Ate - Teves

122.9x57.6x16.3
122.9x61.2x16.3

WVA	FMSI
26997	D2562-9793
26998	

Sin Filas



Trac.	CC	Kw	CV
-------	----	----	----



Front / Rear

BMW

5 Serie VIII (G60, G90, G68) 07.23-

Sedán (Executive car-E Segment)

520 i Mild-Hybrid 1.6	Gasol./el éc.	RWD	1597	140	190	07.24-	*
520 i Mild-Hybrid	Gasol./el éc.	RWD	1998	133	181	07.23-	*
520 i Mild-Hybrid	Gasol./el éc.	RWD	1998	153	208	07.23-	*
530e Plug-in Hybrid	Gasol./el éc.	RWD	1998	220	299	11.23-	*
530e Plug-in Hybrid xDrive	Gasol./el éc.	4WD	1998	220	299	07.24-	*
520 d Mild-Hybrid	Diesel/el éc.	RWD	1995	128	174	07.23-	*
520 d Mild-Hybrid	Diesel/el éc.	RWD	1995	145	197	07.23-	*
520 d xDrive Mild-Hybrid	Diesel/el éc.	4WD	1995	145	197	07.23-	*
523 d Mild-Hybrid	Diesel/el éc.	RWD	1995	145	197	07.23-	*
523 d Mild-Hybrid xDrive	Diesel/el éc.	4WD	1995	145	197	07.23-	*

5 Serie VIII Touring (G61, G99) 03.24-

[CAMBIADO]:Break (Executive car-E Segment)

520 i MHEV	Gasol./el éc.	RWD	1998	153	208	11.24-	*
530e Plug-in Hybrid	Gasol./el éc.	RWD	1998	220	299	07.24-	*
530e xDrive Plug-in Hybrid	Gasol./el éc.	4WD	1998	220	299	07.24-	*
520 d Mild-Hybrid	Diesel/el éc.	RWD	1995	145	197	03.24-	*
520 d xDrive Mild-Hybrid	Diesel/el éc.	4WD	1995	145	197	03.24-	*

LISTA DE APLICACIONES - BUYERS GUIDE

X3 IV (G45) 08.24-					SUV (Luxury Crossover SUV-J Segment)			
xDrive 20		Gasol./el éc.	4WD	1998	153	208	08.24-	*
xDrive 30 e		Gasol./el éc.	4WD	1998	220	299	10.24-	*
xDrive 20 d		Diesel/el éc.	4WD	1995	145	197	08.24-	*