

# LISTA DE APLICACIONES - BUYERS GUIDE

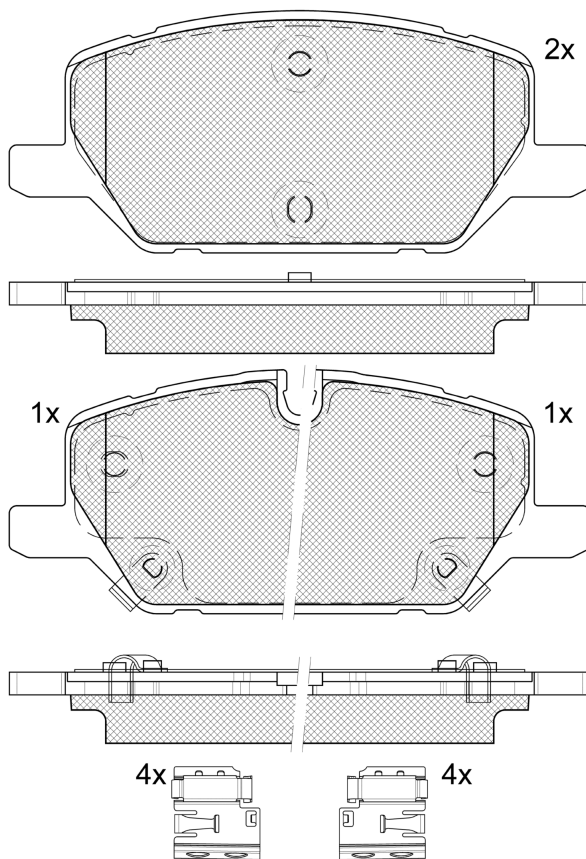
## RB2477



Qty: 300

Weight: 2.260

O.E.M.	MAKE
1684934580	VAUXHALL
42794673	OPEL
84 782 067	VAUXHALL
8462 5774	CADILLAC
8478 2067	CADILLAC



## RB2477

**E 9** 90R-02A0111/5752



Mando

153.7x64.1x19.5
153.7x64.5x19.5

WVA	FMSI
26348	D2314-9612
26349	
26350	

Sin Filas



Trac.	CC	Kw	CV					
								Front / Rear

### OPEL

								<b>[CAMBIADO]:Break (Executive car-E Segment)</b>	
<b>INSIGNIA B Country Tourer (Z18) 06.17-</b>									
1.5 (47) (B 15 SFT)		Gasolina	FWD	1490	121	165	06.17-		*
1.5 (47) (D 15 SFT)		Gasolina	FWD	1490	121	165	06.17-		*
1.6 Turbo (47) (D 16 SHT)		Gasolina	FWD	1598	147	200	06.18-		*
2.0 4x4 (47) (B 20 NFT)		Gasolina	4WD	1998	191	260	06.17-		*
2.0 4x4 (47) (D 20 NFT)		Gasolina	4WD	1998	191	260	06.17-		*
2.0 CDTi (47) (D 20 DTH)		Diesel	FWD	1956	125	170	06.17-		*
2.0 CDTi 4x4 (47) (D 20 DTH)		Diesel	4WD	1956	125	170	06.17-		*
2.0 BiTurbo Diesel 4x4 (68) (D 20 DTR)		Diesel	4WD	1956	154	210	01.18-		*
								<b>[CAMBIADO]:Fastback (Executive car-E Segment)</b>	
<b>INSIGNIA B Grand Sport (Z18) 03.17-</b>									
1.4 Turbo (68) (F 14 SHL)		Gasolina	FWD	1342	107	145	04.20-		*
1.4 Turbo (68) (F 14 SHT)		Gasolina	FWD	1342	107	145	04.20-		*
1.5 (68) (B 15 SFL)		Gasolina	FWD	1490	103	140	03.17-		*
1.5 (68) (D 15 SFL)		Gasolina	FWD	1490	103	140	03.17-		*
1.5 (68) (B 15 SFT)		Gasolina	FWD	1490	121	165	03.17-		*
1.5 (68) (D 15 SFT)		Gasolina	FWD	1490	121	165	03.17-		*
1.6 Turbo (68) (D 16 SHT)		Gasolina	FWD	1598	147	200	06.18-		*
2.0 Turbo		Gasolina	FWD	1998	125	170	08.20-		*
2.0 (68)		Gasolina	FWD	1998	147	200	04.20-		*
2.0 GSi 4x4 (68)		Gasolina	4WD	1998	169	230	04.20-		*
2.0 4x4 (68) (B 20 NFT)		Gasolina	4WD	1998	191	260	03.17-		*
2.0 4x4 (68) (D 20 NFT)		Gasolina	4WD	1998	191	260	03.17-		*
1.5 CDTi (68) (F 15 DVH)		Diesel	FWD	1496	90	122	02.20-		*

# LISTA DE APLICACIONES - BUYERS GUIDE

1.6 CDTi (68) (B 16 DTE)		Diesel	FWD	1598	81	110	03.17-	*	
1.6 CDTi (68) (D 16 DTE)		Diesel	FWD	1598	81	110	03.17-	*	
1.6 CDTi (68) (D 16 DTN)		Diesel	FWD	1598	81	110	03.17-	*	
1.6 CDTi (68) (B 16 DTH)		Diesel	FWD	1598	100	136	03.17-	*	
1.6 CDTi (68) (D 16 DTH)		Diesel	FWD	1598	100	136	03.17-	*	
2.0 CDTi (68) (B 20 DTH)		Diesel	FWD	1956	125	170	03.17-	*	
2.0 CDTi (68) (D 20 DTH)		Diesel	FWD	1956	125	170	03.17-	*	
2.0 CDTi 4x4 (68) (D 20 DTH)		Diesel	4WD	1956	125	170	03.17-	*	
2.0 CDTi (68)		Diesel	FWD	1956	128	174	04.20-	*	
2.0 CDTi 4x4 (68)		Diesel	4WD	1956	128	174	04.20-	*	
2.0 BiTurbo Diesel 4x4 (68) (D 20 DTR)		Diesel	4WD	1956	154	210	03.17-	*	
2.0 CDTi		Diesel	FWD	1995	128	174	04.21-	*	
2.0 CDTi 4x4		Diesel	4WD	1995	128	174	04.21-	*	
<b>INSIGNIA B Sports Tourer (Z18) 03.17-</b>					<b>[CAMBIADO]:Break (Executive car-E Segment)</b>				
1.5 (35) (B 15 SFL)		Gasolina	FWD	1490	103	140	03.17-	*	
1.5 (35) (D 15 SFL)		Gasolina	FWD	1490	103	140	03.17-	*	
1.5 (35) (B 15 SFT)		Gasolina	FWD	1490	121	165	03.17-	*	
1.5 (35) (D 15 SFT)		Gasolina	FWD	1490	121	165	03.17-	*	
1.6 Turbo (35) (D 16 SHT)		Gasolina	FWD	1598	147	200	06.18-	*	
2.0 (35)		Gasolina	FWD	1998	125	170	11.20-	*	
2.0 (35)		Gasolina	FWD	1998	147	200	04.20-	*	
2.0 4x4 (35)		Gasolina	4WD	1998	169	230	04.20-	*	
2.0 4x4 (35) (B 20 NFT)		Gasolina	4WD	1998	191	260	03.17-	*	
2.0 4x4 (35) (D 20 NFT)		Gasolina	4WD	1998	191	260	03.17-	*	
1.5 CDTi (35) (F 15 DVH)		Diesel	FWD	1496	90	122	02.20-	*	
1.6 CDTi (35) (B 16 DTE)		Diesel	FWD	1598	81	110	03.17-	*	
1.6 CDTi (35) (D 16 DTE)		Diesel	FWD	1598	81	110	03.17-	*	
1.6 CDTi (35) (D 16 DTN)		Diesel	FWD	1598	81	110	03.17-	*	
1.6 CDTi (35) (B 16 DTH)		Diesel	FWD	1598	100	136	03.17-	*	
1.6 CDTi (35) (D 16 DTH)		Diesel	FWD	1598	100	136	03.17-	*	
2.0 CDTi (35) (B 20 DTH)		Diesel	FWD	1956	125	170	03.17-	*	
2.0 CDTi (35) (D 20 DTH)		Diesel	FWD	1956	125	170	03.17-	*	
2.0 CDTi 4x4 (35) (D 20 DTH)		Diesel	4WD	1956	125	170	03.17-	*	
2.0 BiTurbo Diesel 4x4 (68) (D 20 DTR)		Diesel	4WD	1956	154	210	03.17-	*	
2.0 CDTi 4x4 (35)		Diesel	4WD	1956	154	210	04.20-	*	
2.0 CDTi (35)		Diesel	FWD	1995	128	174	04.20-	*	
2.0 CDTi 4x4 (35)		Diesel	4WD	1995	128	174	11.20-	*	
<b>INSIGNIA B Sports Tourer Combi Van (Z18) 03.17-</b>					<b>[CAMBIADO]:Furgón/Break (Executive car-E Segment)</b>				
CDTi ECOTEC (B 16 DTH)		Diesel	FWD	1598	100	136	03.17-	*	
CDTi ECOTEC (D 16 DTH)		Diesel	FWD	1598	100	136	03.17-	*	
<b>VAUXHALL</b>									
<b>INSIGNIA Mk II (B) (Z18) 03.17-</b>					<b>[CAMBIADO]:Fastback (Executive car-E Segment)</b>				
1.5 (68) (B 15 SFL)		Gasolina	FWD	1490	103	140	03.17-	*	
1.5 (68) (D 15 SFL)		Gasolina	FWD	1490	103	140	03.17-	*	
1.5 (68) (B 15 SFT)		Gasolina	FWD	1490	121	165	03.17-	*	
1.5 (68) (D 15 SFT)		Gasolina	FWD	1490	121	165	03.17-	*	
1.6 Turbo (68) (D 16 SHT)		Gasolina	FWD	1598	147	200	06.18-	*	
2.0 T		Gasolina	FWD	1998	147	200	04.20-	*	
1.5 CDTi (F 15 DVH)		Diesel	FWD	1496	90	122	02.20-	*	
1.6 D (68) (B 16 DTE)		Diesel	FWD	1598	81	110	03.17-	*	

# LISTA DE APLICACIONES - BUYERS GUIDE

1.6 D (68) (D 16 DTE)	Diesel	FWD	1598	81	110	03.17-	*
1.6 D (68) (D 16 DTN)	Diesel	FWD	1598	81	110	03.17-	*
1.6 D (68) (B 16 DTH)	Diesel	FWD	1598	100	136	03.17-	*
1.6 D (68) (D 16 DTH)	Diesel	FWD	1598	100	136	03.17-	*
2.0 D (68) (B 20 DTH)	Diesel	FWD	1956	125	170	03.17-	*
2.0 D (68) (D 20 DTH)	Diesel	FWD	1956	125	170	03.17-	*
2.0 D (68)	Diesel	FWD	1995	128	174	02.20-	*
2.0 D 4x4 (68)	Diesel	4WD	1995	128	174	02.20-	*
<b>INSIGNIA Mk II (B) Country Tourer (Z18) 03.17-</b>						<b>[CAMBIADO]:Break (Executive car-E Segment)</b>	
2.0 D (47) (D 20 DTH)	Diesel	FWD	1956	125	170	03.17-	*
2.0 D 4x4 (47) (B 20 DTH)	Diesel	4WD	1956	125	170	09.17-	*
2.0 D 4x4 (47) (D 20 DTH)	Diesel	4WD	1956	125	170	09.17-	*
2.0 GSi 4x4 (47) (D 20 DTR)	Diesel	4WD	1956	154	209	07.17-	*
<b>INSIGNIA Mk II (B) Sports Tourer (Z18) 03.17-</b>						<b>[CAMBIADO]:Break (Executive car-E Segment)</b>	
1.5 (35) (B 15 SFL)	Gasolina	FWD	1490	103	140	03.17-	*
1.5 (35) (D 15 SFL)	Gasolina	FWD	1490	103	140	03.17-	*
1.5 (35) (B 15 SFT)	Gasolina	FWD	1490	121	165	03.17-	*
1.5 (35) (D 15 SFT)	Gasolina	FWD	1490	121	165	03.17-	*
1.6 Turbo (35) (D 16 SHT)	Gasolina	FWD	1598	147	200	06.18-	*
1.6 D (35) (B 16 DTE)	Diesel	FWD	1598	81	110	03.17-	*
1.6 D (35) (D 16 DTE)	Diesel	FWD	1598	81	110	03.17-	*
1.6 D (35) (D 16 DTN)	Diesel	FWD	1598	81	110	03.17-	*
1.6 D (35) (B 16 DTH)	Diesel	FWD	1598	100	136	03.17-	*
1.6 D (35) (D 16 DTH)	Diesel	FWD	1598	100	136	03.17-	*
2.0 D (35) (B 20 DTH)	Diesel	FWD	1956	125	170	03.17-	*
2.0 D (35) (D 20 DTH)	Diesel	FWD	1956	125	170	03.17-	*