

LISTA DE APLICACIONES - BUYERS GUIDE

RB2467

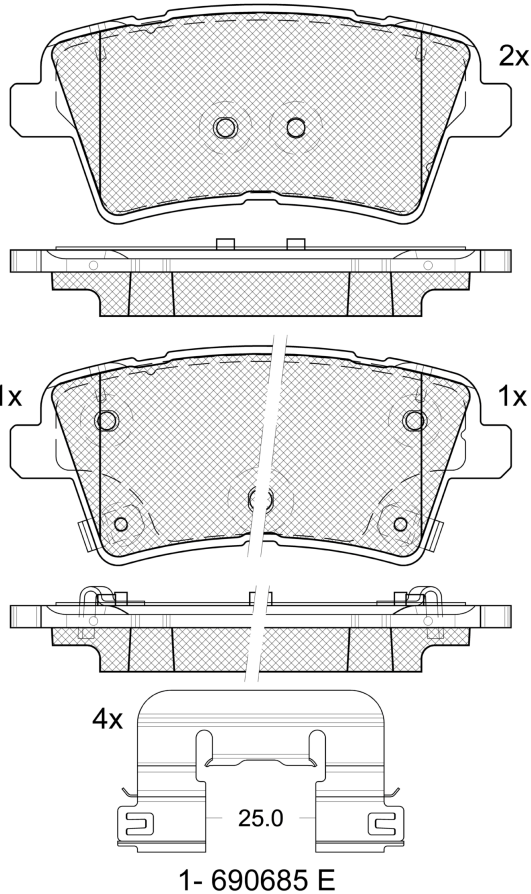


8 424073 208675

Qty: 300

Weight: 1.065

O.E.M.	MAKE
58302-D4A75	KIA



1- 690685 E

RB2467

E 9 90R-02A0111/5913



Akebono

113.8x49.9x15.7

WVA
26503
26504
26505

Sin Filas



Trac.	CC	Kw	CV
-------	----	----	----



Front / Rear

KIA

OPTIMA IV / K5 (JF) 09.15-

Sedán (Executive car-E Segment)

2.0 T-GDI (G4KH)	Gasolina	FWD	1998	175	238	06.18-12.19	*
2.0 T-GDI (G4KH)	Gasolina	FWD	1998	180	245	09.15-12.19	*

OPTIMA IV / K5 Sport Wagon (JF) 09.16-

[CAMBIADO]:Break (Executive car-E Segment)

2.0 T-GDi GT (G4KH)	Gasolina	FWD	1998	175	238	01.18-12.19	*
2.0 T-GDI (G4KH)	Gasolina	FWD	1998	180	245	09.16-12.19	*