

LISTA DE APLICACIONES - BUYERS GUIDE

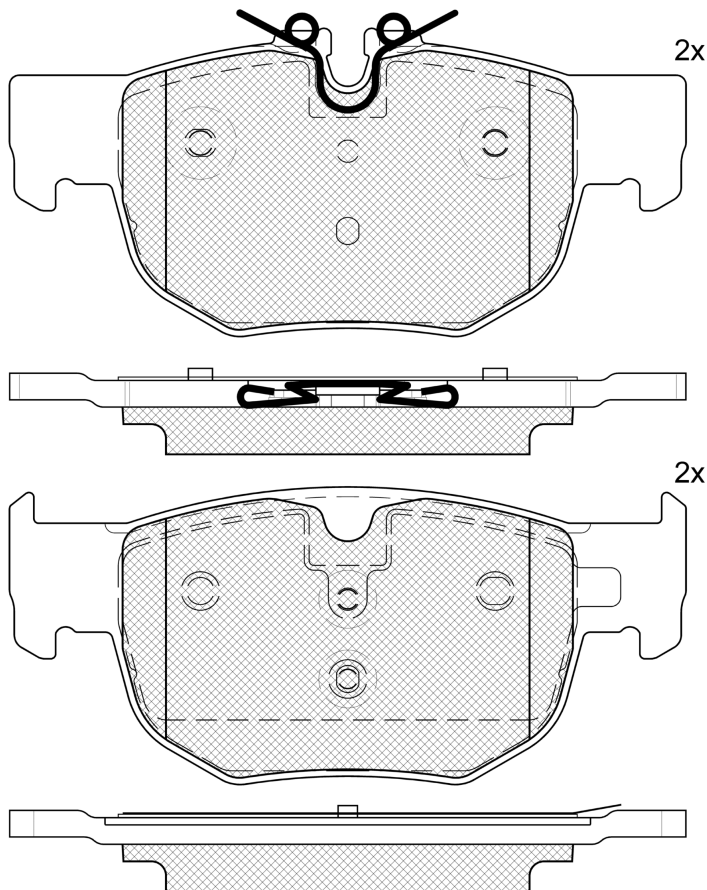
RB2444



Qty: 300

Weight: 1.505

O.E.M.	MAKE
KK8A-2M008-AA	JAGUAR
LR-122689	LAND ROVER
T4A33131	JAGUAR
T4A40668	JAGUAR



RB2444



90R-02A0111/5755



Ate - Teves

140.1x63.8x16

WVA
26409
26410

FMSI
D2367-9596

Sin Filas



Trac.	CC	Kw	CV
-------	----	----	----



Front / Rear

JAGUAR

F-PACE (X761) 09.15-	SUV (Luxury Crossover SUV-J Segment)						
5.0 SCV8 SVR AWD (508PS)	Gasolina	4WD	5000	405	551	08.18-	*
5.0 SVR P575	Gasolina	4WD	5000	423	575	02.23-	*
5.0 SVR P550 MHEV	Gasol./el éc.	4WD	5000	405	551	10.20-	*

LAND ROVER

RANGE ROVER VELAR (L560) 03.17-	SUV (Luxury Crossover SUV-J Segment)						
2.0 P250 Si4 4x4 (PT204)	Gasolina	4WD	1997	184	250	03.17-	*
2.0 P300 Si4 4x4 (PT204)	Gasolina	4WD	1997	221	300	03.17-	*
3.0 P340 SCV6 4x4 (306PS)	Gasolina	4WD	2995	250	340	04.18-	*
3.0 P380 SCV6 4x4 (306PS)	Gasolina	4WD	2995	280	380	03.17-	*
5.0 SCV8 4x4 (508PS)	Gasolina	4WD	5000	405	551	01.19-	*
2.0 P400 Hybrid 4x4 (PT204)	Gasol./el éc.	4WD	1997	221	300	07.20-	*
2.0 P400 Hybrid 4x4 (PT204)	Gasol./el éc.	4WD	1997	297	404	07.20-	*
3.0 P400 MHEV 4x4 (AJ20P6)	Gasol./el éc.	4WD	2995	294	400	07.20-	*
2.0 D200 MHEV 4x4 (AJ20D4)	Diesel/el éc.	4WD	1997	150	204	07.20-	*
3.0 D300 MHEV 4x4 (AJ20D6)	Diesel/el éc.	4WD	2997	221	300	07.20-	*
2.0 D180 TD4 4x4 (204DTD)	Diesel	4WD	1999	132	180	03.17-	*
2.0 D240 SD4 4x4 (204DTA)	Diesel	4WD	1999	177	241	03.17-	*
3.0 D275 SDV6 4x4 (306DT)	Diesel	4WD	2993	202	275	04.18-	*
3.0 D300 SDV6 4x4 (306DT)	Diesel	4WD	2993	221	300	03.17-	*

LISTA DE APLICACIONES - BUYERS GUIDE