

LISTA DE APLICACIONES - BUYERS GUIDE

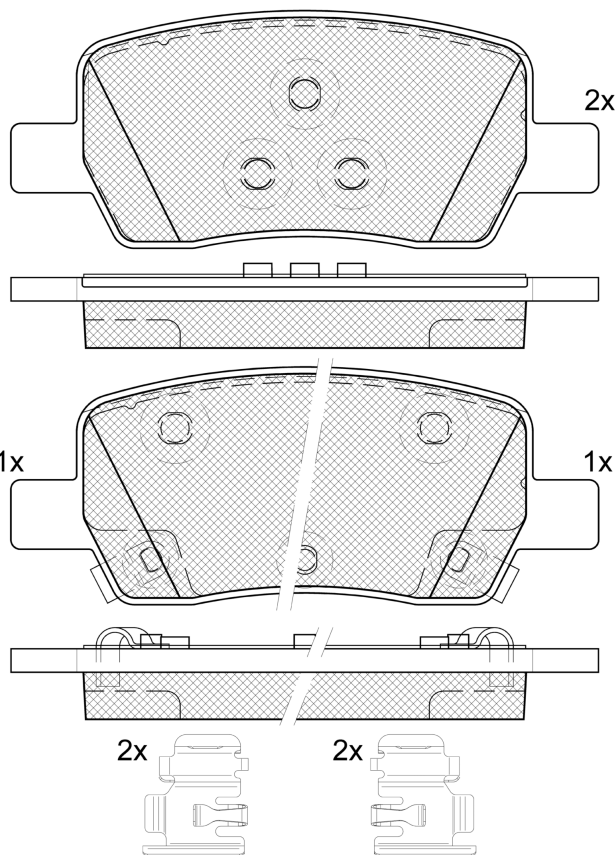
RB2442



Qty: 300

Weight: 1.225

O.E.M.	MAKE
58302-K5A00	HYUNDAI
58302-P2A30	KIA
58302-P2A50	KIA
58302-P2A51	HYUNDAI
58302-R0A00	KIA



1-Ref. 690664 E

RB2442

E 9 **90R-02A0111/5594**



Mando

125.1x50.6x15.7

WVA	FMSI
26459	D2381-9609
26460	
26461	

Sin Filas



Trac.	CC	Kw	CV
-------	----	----	----



Front / Rear

HYUNDAI

(MX5) 01.24-								SUV ()
1.6 T-GDi Hybrid		Gasol./el éc.	FWD	1598	158	215	06.24-	*
1.6 T-GDI Hybrid HTRAC		Gasol./el éc.	4WD	1598	158	215	06.24-	*
1.6 T-GDI PHEV HTRAC		Gasol./el éc.	4WD	1598	186	253	06.24-	*

SANTA FE IV (TM, TMA) 02.18-								SUV (Executive SUV-J Segment)
2.5 MPI		Gasolina	FWD	2497	132	180	07.21-	*
2.5 MPI AWD		Gasolina	4WD	2497	132	180	07.21-	*
1.6 T-GDi Hybrid		Gasol./el éc.	FWD	1598	132	179	08.20-	*
1.6 T-GDI Hybrid HTRAC		Gasol./el éc.	4WD	1598	132	179	08.20-	*
1.6 T-GDi Hybrid		Gasol./el éc.	FWD	1598	169	230	08.20-	*
1.6 T-GDI Hybrid HTRAC		Gasol./el éc.	4WD	1598	169	230	08.20-	*
1.6 T-GDI Plug-in-Hybrid HTRAC		Gasol./el éc.	4WD	1598	195	265	03.21-	*
2.2 CRDi		Diesel	FWD	2151	142	193	04.22-	*
2.2 CRDi HTRAC		Diesel	4WD	2151	142	193	04.22-	*
2.2 CRDi		Diesel	FWD	2151	148	201	11.20-	*
2.2 CRDi HTRAC		Diesel	4WD	2151	148	201	11.20-	*

KIA

CARNIVAL IV / GRAND CARNIVAL / SEDONA (KA4) 09.20-								MPV (Large MPV-M1 Segment)
3.5 MPI		Gasolina	FWD	3470	183	249	06.21-	*
3.5 GDI (G6DT)		Gasolina	FWD	3470	216	294	09.20-	*

LISTA DE APLICACIONES - BUYERS GUIDE

2.2 CRDi VGT (D4HE)	Diesel	FWD	2151	148	201	09.20-	*
SORENTO IV (MQ4, MQ4A) 03.20-				SUV (Compact SUV-J Segment)			
2.5 MPI	Gasolina	FWD	2497	132	180	04.21-	*
2.5 MPI AWD	Gasolina	4WD	2497	132	180	04.21-	*
1.6 T-GDi Hybrid (G4FE)	Gasol./el éc.	FWD	1598	132	179	06.20-	*
1.6 T-GDi Hybrid AWD (G4FE)	Gasol./el éc.	4WD	1598	132	179	06.20-	*
1.6 T-GDi Hybrid AWD	Gasol./el éc.	4WD	1598	132	179	11.20-	*
1.6 T-GDi Hybrid	Gasol./el éc.	FWD	1598	158	215	02.24-	*
1.6 T-GDi Hybrid AWD	Gasol./el éc.	4WD	1598	158	215	02.24-	*
1.6 T-GDi Hybrid (G4FE)	Gasol./el éc.	FWD	1598	169	230	06.20-	*
1.6 T-GDi Hybrid AWD (G4FE)	Gasol./el éc.	4WD	1598	169	230	06.20-	*
1.6 T-GDi Plug-in Hybrid AWD	Gasol./el éc.	4WD	1598	185	252	02.24-	*
1.6 T-GDi Plug-in Hybrid AWD	Gasol./el éc.	4WD	1598	195	265	11.20-	*
2.2 CRDi (D4HE)	Diesel	FWD	2151	142	193	01.22-	*
2.2 CRDi AWD (D4HE)	Diesel	4WD	2151	142	193	01.22-	*
2.2 CRDi (D4HE)	Diesel	FWD	2151	148	201	03.20-	*
2.2 CRDi 4WD (D4HE)	Diesel	4WD	2151	148	201	03.20-	*
KIA (DYK)							
CARNIVAL 09.21-				MPV (Large MPV-M1 Segment)			
2.0 (G4NN)	Gasolina	FWD	1975	174	232	09.21-	*
KX7 03.17-				Closed SUV ()			
2.0 TGDI (G4KH)	Gasolina	FWD	1998	177	241	03.17-	*
2.0 TGDI 4WD (G4KH)	Gasolina	4WD	1998	177	241	03.17-	*
2.0 GDI (G4NC)	Gasolina	FWD	1999	120	163	03.17-	*
KX7 03.17-				SUV ()			
2.4 GDI (G4KJ)	Gasolina	FWD	2359	138	188	03.17-	*
2.4 GDI (G4KJ)	Gasolina	4WD	2359	138	188	03.17-	*