

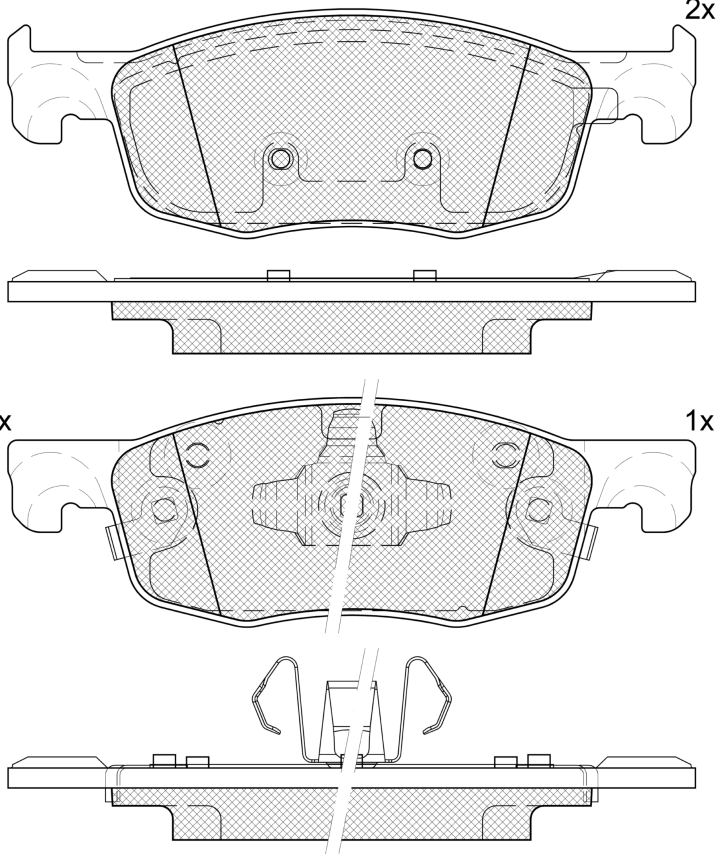
LISTA DE APLICACIONES - BUYERS GUIDE

RB2435



Qty: 300 Weight: 1.350

O.E.M.	MAKE
04465-K0000	TOYOTA
04465-K0010	TOYOTA
1M00-22-23Z	MAZDA
1M03-33-23Z	MAZDA



RB2435

E 9 90R-02A0111/5637



Ate - Teves

155.1x51.8x16.9

WVA
26444
26445
26446

Sin Filas



Trac.	CC	Kw	CV



Front / Rear

MAZDA

Model	Trac.	CC	Kw	CV	Year	Notes
2 IV / DEMIO (KB) 03.22-						[CAMBIADO]:Fastback (Supermini car-B Segment)
1.5 Hybrid (KBAC3X)	FWD	1490	68	92	03.22-	*
1.5 Hybrid (KBAC3X)	FWD	1490	85	116	03.22-	*

TOYOTA

Model	Trac.	CC	Kw	CV	Year	Notes
AYGO X (_B7_) 03.22-						[CAMBIADO]:Fastback (City car-A Segment)
1.0 VVT-i (KGB70)	FWD	998	53	72	03.22-	*
YARIS IV / VITZ (_P21_, _PA1_, _PH1_) 02.20-						[CAMBIADO]:Fastback (Supermini car-B Segment)
1.0 (KSP211) (1KR-FE)	FWD	998	53	72	02.20-	*
1.5 (MXPA10, MXPA11, MXPA12)	FWD	1490	88	120	02.20-	*
1.5 (MXPA11) (M15A-FKS)	FWD	1490	92	125	02.20-	*
1.5 Hybrid (MXPH11) (M15A-FXE)	FWD	1490	68	92	02.20-	*
1.5 Hybrid (MXPH10, MXPH11)	FWD	1490	85	116	02.20-	*
1.5 Hybrid (MXPH13, MXPH14)	FWD	1490	96	131	01.24-	*