

LISTA DE APLICACIONES - BUYERS GUIDE

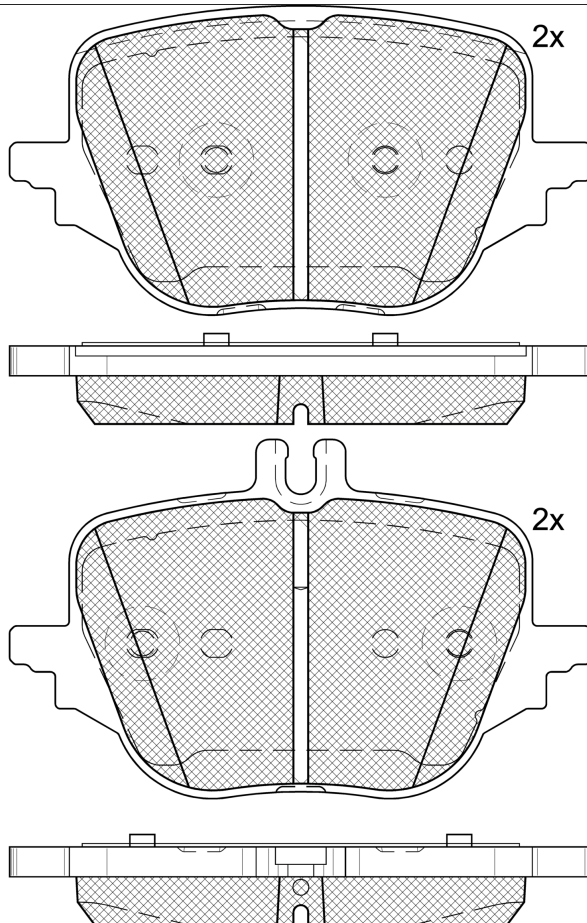
RB2434



Qty: 300

Weight: 1.460

| O.E.M. | MAKE |
|---------------|---------------|
| 000 420 41 03 | MERCEDES-BENZ |
| 000 420 42 03 | MERCEDES-BENZ |
| 000 420 93 05 | MERCEDES-BENZ |
| 000 420 94 05 | MERCEDES-BENZ |
| 000 420 95 05 | MERCEDES-BENZ |



RB2434

E 9 90R-02A0111/5700



ZF Sachs

| |
|-----------------|
| 117.3x62.3x16.4 |
| 117.3x72.3x16.4 |

| WVA | FMSI |
|-------|------------|
| 26374 | D2488-9716 |
| 26375 | |

Sin Filas



| Trac. | CC | Kw | CV |
|-------|----|----|----|
|-------|----|----|----|



Front / Rear

MERCEDES-BENZ

| C-Class C (W206) 03.21- | Sedán (Compact executive car-D Segment) |
|--|---|
| AMG C 43 4-matic (206.087) | Gasol./el éc. 4WD 1991 310 421 04.24- * |
| C 300 e (206.054) | Gasol./el éc. RWD 1999 150 204 12.21- * |
| C 300 e (206.054) | Gasol./el éc. RWD 1999 230 313 12.21- * |
| C 300 e 4-matic (206.056) | Gasol./el éc. 4WD 1999 230 313 05.22- * |
| C 400 e 4-matic (206.055) | Gasol./el éc. 4WD 1999 280 381 05.22- * |
| C 300 de (206.008) | Diesel/el éc. RWD 1992 230 313 12.22- * |
| C 300 de 4-matic (206.009) | Diesel/el éc. 4WD 1992 230 313 12.22- * |
| C-Class C T-Model (S206) 03.21- | [CAMBIADO]:Break (Compact executive car-D Segment) |
| AMG C 43 4-matic (206.287) | Gasol./el éc. 4WD 1991 310 421 04.24- * |
| C 300 e (206.254) | Gasol./el éc. RWD 1999 150 204 12.21- * |
| C 300 e (206.254) | Gasol./el éc. RWD 1999 230 313 12.21- * |
| C 300 de (206.208) | Diesel/el éc. RWD 1992 230 313 12.22- * |
| C 300 de 4-matic (206.209) | Diesel/el éc. 4WD 1992 230 313 12.22- * |
| CLE-Class (A236) 02.24- | Cabrío () |
| CLE 450 4-matic (236.461) | Gasol./el éc. 4WD 2999 280 381 02.24- * |

LISTA DE APLICACIONES - BUYERS GUIDE

| CLE-Class (C236) 10.23- | | | | | Coupé () | | | |
|---|------------------|-----|------|-----|---|--------|---|--|
| CLE 300 e (236.354) | Gasol./el éc. | RWD | 1999 | 230 | 313 | 05.24- | * | |
| CLE 450 4-matic (236.361) | Gasol./el éc. | 4WD | 2999 | 280 | 381 | 10.23- | * | |
| E-Class VI (W214) 07.23- | | | | | Sedán (Executive car-E Segment) | | | |
| E 180 (214.041) | Gasol./el éc. | RWD | 1496 | 125 | 170 | 07.23- | * | |
| E 200 (214.050) | Gasol./el éc. | RWD | 1999 | 150 | 204 | 07.23- | * | |
| E 200 4-matic (214.051) | Gasol./el éc. | 4WD | 1999 | 150 | 204 | 07.23- | * | |
| E 300 e (214.054) | Gasol./el éc. | RWD | 1999 | 230 | 313 | 07.23- | * | |
| E 300 e 4-matic (214.056) | Gasol./el éc. | 4WD | 1999 | 230 | 313 | 07.23- | * | |
| E 400 e 4-matic (214.055) | Gasol./el éc. | 4WD | 1999 | 280 | 381 | 07.23- | * | |
| E 450 4-matic (214.061) | Gasol./el éc. | 4WD | 2999 | 280 | 381 | 10.23- | * | |
| E 53 AMG Hybrid 4-matic+ (214.263) | Gasol./el éc. | 4WD | 2999 | 430 | 585 | 05.24- | * | |
| E 200 d (214.003) | Diesel/el éc. | RWD | 1992 | 120 | 163 | 11.24- | * | |
| E 220 d (214.004) | Diesel/el éc. | RWD | 1992 | 145 | 197 | 07.23- | * | |
| E 220 d 4-matic (214.005) | Diesel/el éc. | 4WD | 1992 | 145 | 197 | 07.23- | * | |
| E 300 de (214.008) | Diesel/el éc. | RWD | 1992 | 230 | 313 | 10.23- | * | |
| E 300 de 4-matic (214.009) | Diesel/el éc. | 4WD | 1992 | 230 | 313 | 10.23- | * | |
| E 450 d 4-matic (214.023) | Diesel/el éc. | 4WD | 2989 | 270 | 367 | 10.23- | * | |
| E-Class VI All-Terrain (S214) 10.23- | | | | | [CAMBIADO]:Break (Executive car-E Segment) | | | |
| E 450 4-matic (214.265) | Gasol./el éc. | 4WD | 2999 | 280 | 381 | 10.23- | * | |
| E 220 d 4-matic (214.214) | Diesel/el éc. | 4WD | 1992 | 145 | 197 | 10.23- | * | |
| E 300 de 4-matic (214.219) | Diesel/el éc. | 4WD | 1992 | 230 | 313 | 10.23- | * | |
| E 450 d 4-matic (214.233) | Diesel/el éc. | 4WD | 2989 | 270 | 367 | 10.23- | * | |
| E-Class VI T-Model (S214) 07.23- | | | | | [CAMBIADO]:Break (Executive car-E Segment) | | | |
| E 200 (214.250) | Gasol./el éc. | RWD | 1999 | 150 | 204 | 07.23- | * | |
| E 200 4-matic (214.251) | Gasol./el éc. | 4WD | 1999 | 150 | 204 | 02.24- | * | |
| E 300 e (214.254) | Gasol./el éc. | RWD | 1999 | 230 | 313 | 07.23- | * | |
| E 450 4-matic (214.261) | Gasol./el éc. | 4WD | 2999 | 280 | 381 | 10.23- | * | |
| E 53 AMG Hybrid 4-matic+ (214.263) | Gasol./el éc. | 4WD | 2999 | 430 | 585 | 05.24- | * | |
| E 200 d (214.203) | Diesel/el éc. | RWD | 1992 | 120 | 163 | 11.24- | * | |
| E 220 d (214.204) | Diesel/el éc. | RWD | 1992 | 145 | 197 | 07.23- | * | |
| E 220 d 4-matic (214.205) | Diesel/el éc. | 4WD | 1992 | 145 | 197 | 10.23- | * | |
| E 300 de (214.208) | Diesel/el éc. | RWD | 1992 | 230 | 313 | 10.23- | * | |
| E 300 de 4-matic (214.209) | Diesel/el éc. | 4WD | 1992 | 230 | 313 | 10.23- | * | |
| E 450 d 4-matic (214.223) | Diesel/el éc. | 4WD | 2989 | 270 | 367 | 10.23- | * | |

LISTA DE APLICACIONES - BUYERS GUIDE

| GLC-Class II (C254) 06.22- | | | | | SUV (Luxury Crossover SUV-J Segment) | | | |
|--|--|------------------|-----|------|---|-----|-------------|---|
| 180 (254.341) | | Gasol./el éc. | RWD | 1496 | 125 | 170 | 06.22- | * |
| 180 (254.641) | | Gasol./el éc. | RWD | 1496 | 125 | 170 | 06.22- | * |
| 200 4-matic (254.351) | | Gasol./el éc. | 4WD | 1999 | 150 | 204 | 07.23- | * |
| 200 4-matic (254.651) | | Gasol./el éc. | 4WD | 1999 | 150 | 204 | 06.22- | * |
| 300 4-matic (254.347) | | Gasol./el éc. | 4WD | 1999 | 190 | 258 | 07.23- | * |
| 300 4-matic (254.647) | | Gasol./el éc. | 4WD | 1999 | 190 | 258 | 06.22- | * |
| 200d 4-matic (254.302) | | Diesel/el éc. | 4WD | 1992 | 120 | 163 | 11.24- | * |
| 200d 4-matic (254.602) | | Diesel/el éc. | 4WD | 1992 | 120 | 163 | 11.24- | * |
| 220d 4-matic (254.305) | | Diesel/el éc. | 4WD | 1992 | 145 | 197 | 07.23- | * |
| 220d 4-matic (254.605) | | Diesel/el éc. | 4WD | 1992 | 145 | 197 | 09.22- | * |
| 300d 4-matic (254.307) | | Diesel/el éc. | 4WD | 1992 | 198 | 269 | 07.23- | * |
| 300d 4-matic (254.607) | | Diesel/el éc. | 4WD | 1992 | 198 | 269 | 09.22- | * |
| S-Class VII (V223) 09.20- | | | | | Sedán (Luxury car-F Segment) | | | |
| S 450 EQ Boost (223.060) | | Gasol./el éc. | RWD | 2999 | 270 | 367 | 07.21- | * |
| S 450 EQ Boost 4-matic (223.161) | | Gasol./el éc. | 4WD | 2999 | 270 | 367 | 10.20- | * |
| S 450 EQ Boost 4-matic (223.161) (M 256.930) | | Gasol./el éc. | 4WD | 2999 | 270 | 367 | 10.20- | * |
| S 450 EQ Boost 4-matic (223.161) | | Gasol./el éc. | 4WD | 2999 | 280 | 381 | 09.22- | * |
| S 450 EQ Boost 4-matic (223.161) | | Gasol./el éc. | 4WD | 2999 | 280 | 381 | 09.22- | * |
| S 500 EQ Boost 4-matic (223.163) | | Gasol./el éc. | 4WD | 2999 | 330 | 449 | 09.22- | * |
| S 500 EQ Boost 4-matic (223.163) | | Gasol./el éc. | 4WD | 2999 | 330 | 449 | 09.22- | * |
| S 580 4-matic (223.176) | | Gasol./el éc. | 4WD | 3982 | 370 | 503 | 05.21- | * |
| S 350 d Mild Hybrid (223.120) | | Diesel/el éc. | RWD | 2989 | 230 | 313 | 05.23- | * |
| S 350 d Mild Hybrid (223.120) | | Diesel/el éc. | RWD | 2989 | 230 | 313 | 06.23- | * |
| S 350 d Mild Hybrid 4-matic (223.121) | | Diesel/el éc. | 4WD | 2989 | 230 | 313 | 05.23- | * |
| S 350 d Mild Hybrid 4-matic (223.121) | | Diesel/el éc. | 4WD | 2989 | 230 | 313 | 06.23- | * |
| S 450 d Mild Hybrid 4-matic (223.123) | | Diesel/el éc. | 4WD | 2989 | 270 | 367 | 05.23- | * |
| S 450 d Mild Hybrid 4-matic (223.123) | | Diesel/el éc. | 4WD | 2989 | 270 | 367 | 05.23- | * |
| S 350 d (223.030) (OM 656.929) | | Diesel | RWD | 2925 | 210 | 286 | 09.20-06.23 | * |
| S 350 d (223.130) | | Diesel | RWD | 2925 | 210 | 286 | 09.20- | * |
| S 350 d 4-matic (223.031) (OM 656.929) | | Diesel | 4WD | 2925 | 210 | 286 | 09.20-06.23 | * |
| S 350 d 4-matic (223.131) | | Diesel | 4WD | 2925 | 210 | 286 | 09.20- | * |
| S 400 d 4-matic (223.033) (OM 656.929) | | Diesel | 4WD | 2925 | 243 | 330 | 09.20- | * |
| S 400 d 4-matic (223.133) | | Diesel | 4WD | 2925 | 243 | 330 | 09.20- | * |