

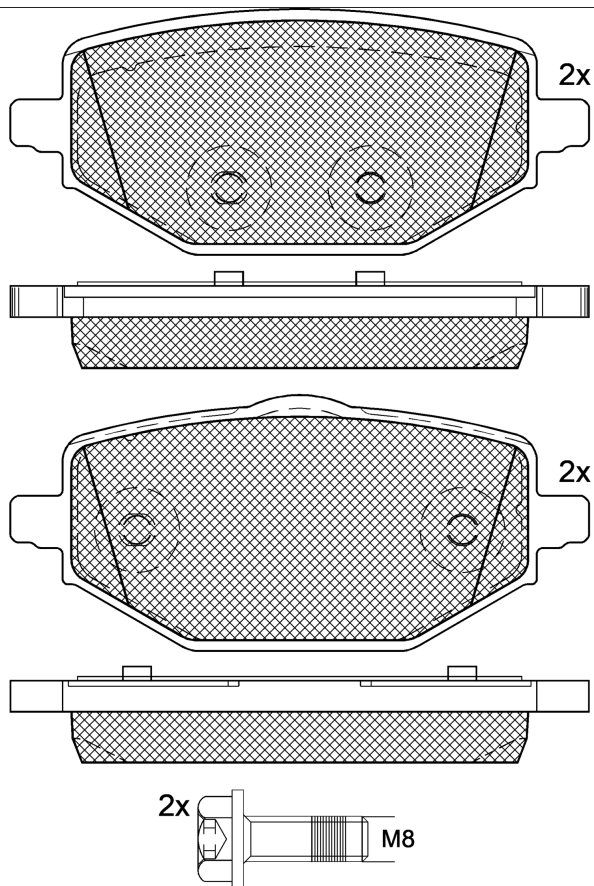
LISTA DE APLICACIONES - BUYERS GUIDE

RB2416



Qty: 300 Weight: 900

O.E.M.	MAKE
44 06 023 61R	RENAULT
MQ005264	MITSUBISHI



1-Ref. 690568 E

RB2416

E 9 90R-02A0111/5704



ZF Sachs

102.3x43.5x15.2
102.3x45.3x15.2

WVA
26468
26469

Sin Filas



	Trac.	CC	Kw	CV			Front / Rear
--	-------	----	----	----	--	--	--------------

MITSUBISHI							
ASX (VSX_, VSE_) 01.23-						[CAMBIADO]:Fastback (Compact SUV-J Segment)	
1.6 PHEV (VSEP6)		Gasol./el éc.	FWD	1598	117	159	01.23- *
RENAULT							
CAPTUR II 01.20-						[CAMBIADO]:Fastback (Mini SUV-J Segment)	
E-TECH 145 (HFMU)		Gasol./el éc.	FWD	1598	105	143	01.22- *
E-TECH 145 (HFMU, HFMM)		Gasol./el éc.	FWD	1598	107	145	06.21- *
E-TECH 160 (H4M 630)		Gasol./el éc.	FWD	1598	116	158	05.20- *
E-TECH 160 (H4M 630)		Gasol./el éc.	FWD	1598	116	158	05.20- *
MEGANE IV (B9A/M/N_) 11.15-						[CAMBIADO]:Fastback (Compact car-C Segment)	
1.6 E-TECH 160 (B9NH)		Gasol./el éc.	FWD	1598	69	94	07.21- *
1.6 E-TECH 160 (B9NH)		Gasol./el éc.	FWD	1598	118	160	07.21- *
MEGANE IV Grandtour (K9A/M/N_) 04.16-						[CAMBIADO]:Break (Compact car-C Segment)	
E-TECH 160 (K9NH)		Gasol./el éc.	FWD	1598	67	91	05.20- *
E-TECH 160 (K9NH) (H4M 630)		Gasol./el éc.	FWD	1598	116	158	05.20- *