

# LISTA DE APLICACIONES - BUYERS GUIDE

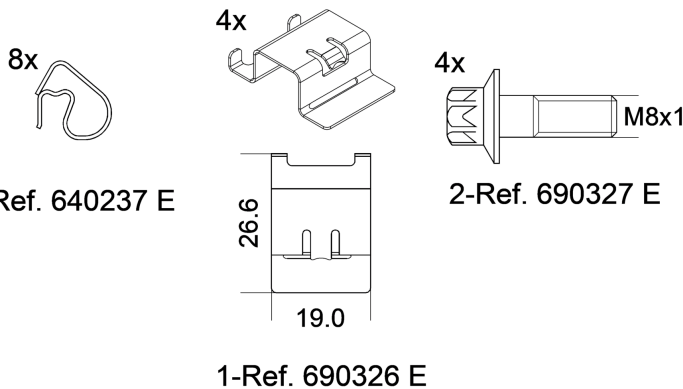
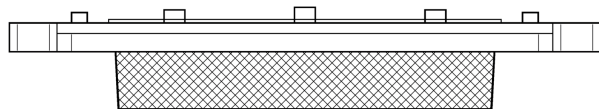
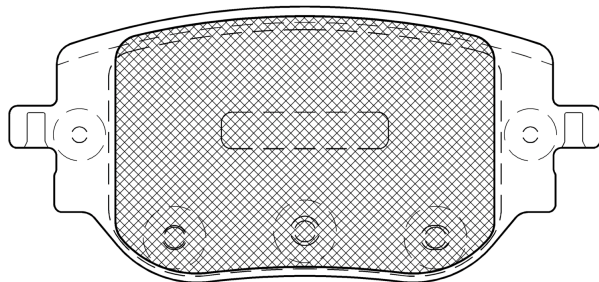
## RB2415



Qty: 300

Weight: 1.255

O.E.M.	MAKE
16 73 597 480	VAUXHALL
SU001-B2799	TOYOTA



## RB2415

**E 9** 90R-02A0111/5747



Chassis Brake Int. (Bosch)

113.3x52.9x17.2

**WVA**  
20625  
Sin Filas



Trac.	CC	Kw	CV
-------	----	----	----



Front / Rear

### CITROËN

<b>JUMPY III / DISPATCH (V_) 04.16-</b>				<b>[CAMBIADO]:Furgón (LCVs-N1 Segment)</b>				
è-JUMPY HYDROGEN		Hidró/elé c.	FWD		100	136	10.24-	*
è-JUMPY (ZKX (ZK01))		Eléctrico	FWD		100	136	09.20-	*
è-JUMPY		Eléctrico	FWD		100	136	11.23-	*
1.5 BlueHDi 100 (YHR (DV5RUCD))		Diesel	FWD	1499	75	102	06.18-04.25	*
1.5 BlueHDI 120 (YHV (DV5RUC))		Diesel	FWD	1499	88	120	06.18-	*
1.6 BlueHDi 90 (9HF (DV6DU))		Diesel	FWD	1560	66	90	09.18-	*
1.6 BlueHDi 95 (BHS (DV6FDU))		Diesel	FWD	1560	70	95	04.16-04.20	*
1.6 BlueHDi 95 (BHV (DV6FDU))		Diesel	FWD	1560	70	95	04.16-04.20	*
1.6 BlueHDi 115 (BHX (DV6FCU))		Diesel	FWD	1560	85	116	04.16-06.22	*
2.0 BlueHDi 120 (AHK (DW10FE))		Diesel	FWD	1997	90	122	04.16-12.22	*
2.0 BlueHDi 145		Diesel	FWD	1997	106	144	08.21-04.25	*
2.0 BlueHDi 150 (AHX (DW10FD))		Diesel	FWD	1997	110	150	04.16-12.22	*
2.0 BlueHDi 180 (AHH (DW10FC))		Diesel	FWD	1997	130	177	04.16-04.25	*
2.0 BlueHDi 180 (EHZ (DW10FDCU))		Diesel	FWD	1997	130	177	04.16-04.25	*
<b>JUMPY III / DISPATCH (V_) 04.16-</b>				<b>Bus (Minibus-M2-Segment)</b>				
è-JUMPY		Eléctrico	FWD		100	136	09.20-10.23	*
è-JUMPY		Eléctrico	FWD		100	136	11.23-	*
1.5 BlueHDi 100 (YHR (DV5RUCD))		Diesel	FWD	1499	75	102	06.18-04.25	*
1.5 BlueHDI 120 (YHV (DV5RUC))		Diesel	FWD	1499	88	120	06.18-04.25	*
1.6 BlueHDi 95 (BHS (DV6FDU))		Diesel	FWD	1560	70	95	04.16-	*
1.6 BlueHDi 115 (BHX (DV6FCU))		Diesel	FWD	1560	85	116	04.16-06.22	*
2.0 BlueHDi 120 (AHK (DW10FE))		Diesel	FWD	1997	90	122	04.16-12.22	*

# LISTA DE APLICACIONES - BUYERS GUIDE

2.0 BlueHDi 150 (AHX (DW10FD))		Diesel	FWD	1997	110	150	04.16-12.22	*	
2.0 BlueHDi 180 (AHH (DW10FC))		Diesel	FWD	1997	130	177	04.16-04.25	*	
<b>JUMPY III / DISPATCH (V_) 09.16-</b>					<b>Caja/Chasis (LCVs-N1 Segment)</b>				
è-JUMPY		Eléctrico	FWD		100	136	01.23-10.23	*	
è-JUMPY		Eléctrico	FWD		100	136	11.23-	*	
1.6 BlueHDi 95 (BHS (DV6FDU))		Diesel	FWD	1560	70	95	09.16-04.20	*	
1.6 BlueHDi 95 (BHV (DV6FDU))		Diesel	FWD	1560	70	95	09.16-04.20	*	
2.0 BlueHDi 120 (AHK (DW10FE))		Diesel	FWD	1997	90	122	09.16-12.22	*	
2.0 BlueHDi 145		Diesel	FWD	1997	106	144	01.23-04.25	*	
2.0 BlueHDi 150 (AHX (DW10FD))		Diesel	FWD	1997	110	150	09.16-12.22	*	
<b>SPACETOURER (V_) 04.16-</b>					<b>Bus (Minibus-M2-Segment)</b>				
è-SPACETOURER (ZKX (ZK01))		Eléctrico	FWD		100	136	09.20-10.23	*	
è-SPACETOURER		Eléctrico	FWD		100	136	11.23-	*	
1.5 BlueHDi 100 (YHR (DV5RUCD))		Diesel	FWD	1499	75	102	06.18-04.25	*	
1.5 BlueHDi 120 (YHV (DV5RUC))		Diesel	FWD	1499	88	120	06.18-04.25	*	
1.6 HDi 90 (9HF (DV6DU))		Diesel	FWD	1560	66	90	07.18-	*	
1.6 BlueHDi 95 (BHS (DV6FDU))		Diesel	FWD	1560	70	95	04.16-04.19	*	
1.6 BlueHDi 95 (BHV (DV6FDU))		Diesel	FWD	1560	70	95	04.16-04.19	*	
1.6 BlueHDi 115 (BHX (DV6FCU))		Diesel	FWD	1560	85	116	04.16-04.19	*	
2.0 BlueHDi 120 (AHK (DW10FE))		Diesel	FWD	1997	90	122	12.19-12.22	*	
2.0 BlueHDi 145 (EHS (DW10FDDU370))		Diesel	FWD	1997	106	144	09.20-04.25	*	
2.0 BlueHDi 145 (EHT (DW10FDDU340))		Diesel	FWD	1997	106	144	09.20-04.25	*	
2.0 BlueHDi 150 (AHX (DW10FD))		Diesel	FWD	1997	110	150	04.16-12.22	*	
2.0 BlueHDi 180 (AHH (DW10FC))		Diesel	FWD	1997	130	177	04.16-04.25	*	
2.0 BlueHDi 180 (EHZ (DW10FDCU))		Diesel	FWD	1997	130	177	04.16-04.25	*	
<b>OPEL</b>									
<b>VIVARO III (C) (K0) 03.19-</b>					<b>[CAMBIADO]:Furgón (LCVs-N1 Segment)</b>				
VIVARO-E HYDROGEN		Hidró/elé c.	FWD		100	136	08.22-09.24	*	
VIVARO-E HYDROGEN		Hidró/elé c.	FWD		100	136	10.24-	*	
VIVARO-E		Eléctrico	FWD		100	136	09.20-03.24	*	
VIVARO-E		Eléctrico	FWD		100	136	04.24-	*	
1.5 (D 15 DT (DV5RUCD))		Diesel	FWD	1499	75	102	03.19-04.25	*	
1.5 (D 15 DTH (DV5RUC))		Diesel	FWD	1499	88	120	03.19-	*	
2.0 (D 20 DTL (DW10FE))		Diesel	FWD	1997	90	122	03.19-12.22	*	
2.0		Diesel	FWD	1997	106	144	08.21-04.25	*	
2.0 (D 20 DTH (DW10FD))		Diesel	FWD	1997	110	150	03.19-12.22	*	
2.0 (D 20 DTR (DW10FDCU))		Diesel	FWD	1997	130	177	03.19-04.25	*	
<b>VIVARO III (C) (K0) 03.19-</b>					<b>Bus (Minibus-M2-Segment)</b>				
VIVARO-E		Eléctrico	FWD		100	136	09.20-03.24	*	
VIVARO-E		Eléctrico	FWD		100	136	04.24-	*	
1.5 (D 15 DT (DV5RUCD))		Diesel	FWD	1499	75	102	03.19-04.25	*	
1.5 (D 15 DTH (DV5RUC))		Diesel	FWD	1499	88	120	03.19-04.25	*	
2.0 (D 20 DTL (DW10FE))		Diesel	FWD	1997	90	122	03.19-12.22	*	
2.0		Diesel	FWD	1997	106	144	09.20-04.25	*	
2.0 (D 20 DTH (DW10FD))		Diesel	FWD	1997	110	150	03.19-12.22	*	
2.0		Diesel	FWD	1997	130	177	12.22-04.25	*	
<b>VIVARO III (C) (K0) 03.19-</b>					<b>Caja/Chasis (LCVs-N1 Segment)</b>				
VIVARO-E		Eléctrico	FWD		100	136	09.20-03.24	*	

# LISTA DE APLICACIONES - BUYERS GUIDE

VIVARO-E		Eléctrico	FWD		100	136	04.24-	*	
2.0 (D 20 DTL (DW10FE))		Diesel	FWD	1997	90	122	03.19-12.22	*	
2.0		Diesel	FWD	1997	106	144	01.23-04.25	*	
2.0 (D 20 DTH (DW10FD))		Diesel	FWD	1997	110	150	03.19-12.22	*	
<b>ZAFIRA LIFE (K0) 03.19-</b>					<b>Bus (Minibus-M2-Segment)</b>				
E LIFE (ZKX (ZK01))		Eléctrico	FWD		100	136	09.20-	*	
E LIFE		Eléctrico	FWD		100	136	04.24-	*	
1.5 (D 15 DT (DV5RUCD))		Diesel	FWD	1499	75	102	03.19-04.25	*	
1.5 (D 15 DTH (DV5RUC))		Diesel	FWD	1499	88	120	03.19-04.25	*	
2.0 (D 20 DTL (DW10FE))		Diesel	FWD	1997	90	122	08.19-12.22	*	
2.0		Diesel	FWD	1997	106	144	09.20-04.25	*	
2.0 (D 20 DTH (DW10FD))		Diesel	FWD	1997	110	150	03.19-12.22	*	
2.0 (D 20 DTR (DW10FDCU))		Diesel	FWD	1997	130	177	03.19-04.25	*	
<b>PEUGEOT</b>									
<b>EXPERT III (V_) 04.16-</b>					<b>[CAMBIADO]:Furgón (LCVs-N1 Segment)</b>				
E-EXPERT HYDROGEN		Hidró/elé c.	FWD		100	136	01.23-09.24	*	
E-EXPERT HYDROGEN		Hidró/elé c.	FWD		100	136	10.24-	*	
E-EXPERT (ZKX (ZK01))		Eléctrico	FWD		100	136	09.20-	*	
E-EXPERT		Eléctrico	FWD		100	136	11.23-	*	
2.0 BlueHDi 145		Diesel	FWD	1997	106	144	08.21-04.25	*	
<b>EXPERT III (V_) 04.16-</b>					<b>Bus (Minibus-M2-Segment)</b>				
E-EXPERT		Eléctrico	FWD		100	136	09.20-10.23	*	
E-EXPERT		Eléctrico	FWD		100	136	11.23-	*	
2.0 BlueHDi 145		Diesel	FWD	1997	106	144	07.21-04.25	*	
<b>EXPERT III (V_) 09.16-</b>					<b>Caja/Chasis (LCVs-N1 Segment)</b>				
E-EXPERT (ZKX (ZK01))		Eléctrico	FWD		100	136	09.20-10.23	*	
E-EXPERT		Eléctrico	FWD		100	136	11.23-	*	
2.0 BlueHDi 145		Diesel	FWD	1997	106	144	01.23-04.25	*	
<b>TRAVELLER (V_) 04.16-</b>					<b>Bus (Minibus-M2-Segment)</b>				
E-TRAVELLER (ZKX (ZK01))		Eléctrico	FWD		100	136	09.20-10.23	*	
<b>TOYOTA</b>									
<b>PROACE II (MDZ_) 02.16-</b>					<b>[CAMBIADO]:Furgón (LCVs-N1 Segment)</b>				
Electric (MDZS, MDZZ) (ZKX (ZK01))		Eléctrico	FWD		100	136	09.20-12.23	*	
Electric (MDZS, MDZZ)		Eléctrico	FWD		100	136	01.24-	*	
1.5 D4d (MDZ8) (5WZ-TV (DV5RUCD))		Diesel	FWD	1499	75	102	05.19-04.25	*	
1.5 D4d (MDZ1) (5WZ-HV (DV5RUC))		Diesel	FWD	1499	88	120	05.19-	*	
1.6 D4d (MDZ9) (3WZ-TV)		Diesel	FWD	1560	70	95	02.16-04.20	*	
1.6 D4d (MDZ2) (3WZ-HV)		Diesel	FWD	1560	85	116	02.16-04.20	*	
2.0 D4d (MDZ3) (4WZ-FTV)		Diesel	FWD	1997	90	122	02.16-12.22	*	
2.0 D4d (MDZA)		Diesel	FWD	1997	106	144	08.21-04.25	*	
2.0 D4d (MDZ4) (4WZ-FTV)		Diesel	FWD	1997	110	150	02.16-12.22	*	
2.0 D4d (MDZ6, MDZ5) (4WZ-FHV)		Diesel	FWD	1997	130	177	02.16-04.25	*	
<b>PROACE II (MPY_) 02.16-</b>					<b>Bus (Minibus-M2-Segment)</b>				
Electric (MPYS, MPYZ)		Eléctrico	FWD		100	136	01.21-12.23	*	
Electric (MPYS, MPYZ)		Eléctrico	FWD		100	136	01.24-	*	
1.5 D4d (MPY8) (5WZ-TV (DV5RUCD))		Diesel	FWD	1499	75	102	08.18-04.25	*	
1.5 D4d (MPY1) (5WZ-HV (DV5RUC))		Diesel	FWD	1499	88	120	08.18-04.25	*	

# LISTA DE APLICACIONES - BUYERS GUIDE

1.6 D4d (MPY9) (3WZ-TV)		Diesel	FWD	1560	70	95	02.16-04.20	*	
1.6 D4d (MPY2) (3WZ-HV)		Diesel	FWD	1560	85	116	02.16-04.20	*	
2.0 D4d (MPY3) (4WZ-FTV)		Diesel	FWD	1997	90	122	11.19-12.22	*	
2.0 D4d (MPYA)		Diesel	FWD	1997	106	144	09.20-04.25	*	
2.0 D4d (MPY4) (4WZ-FTV)		Diesel	FWD	1997	110	150	02.16-12.22	*	
2.0 D4d (MPY6, MPY5) (4WZ-FHV)		Diesel	FWD	1997	130	177	02.16-04.25	*	
<b>PROACE II (MDZ_) 02.16-</b>							<b>Caja/Chasis (LCVs-N1 Segment)</b>		
Electric (MDZS, MDZZ)		Eléctrico	FWD		100	136	04.21-12.23	*	
Electric (MDZS, MDZZ)		Eléctrico	FWD		100	136	01.24-	*	
1.6 D4d (MDZ9) (3WZ-TV)		Diesel	FWD	1560	70	95	02.16-12.19	*	
2.0 D4d (MDZ3) (4WZ-FTV)		Diesel	FWD	1997	90	122	02.16-12.22	*	
2.0 D4d (MDZA)		Diesel	FWD	1997	106	144	08.21-04.25	*	
2.0 D4d (MDZ4) (4WZ-FTV)		Diesel	FWD	1997	110	150	02.16-12.22	*	
<b>PROACE II VERSO (MPY_) 02.16-</b>							<b>Bus (Minibus-M2-Segment)</b>		
Electric (MPYS, MPYZ)		Eléctrico	FWD		100	136	01.21-12.23	*	
Electric (MPYS, MPYZ)		Eléctrico	FWD		100	136	01.24-	*	
1.5 D4d (MPY8) (5WZ-TV (DV5RUCD))		Diesel	FWD	1499	75	102	06.18-04.25	*	
1.5 D4d (MPY1) (5WZ-HV (DV5RUC))		Diesel	FWD	1499	88	120	06.18-04.25	*	
1.6 D4d (MPY9) (3WZ-TV)		Diesel	FWD	1560	70	95	02.16-12.19	*	
1.6 D4d (MPY2) (3WZ-HV)		Diesel	FWD	1560	85	116	02.16-04.20	*	
2.0 D4d (MPY3) (4WZ-FTV)		Diesel	FWD	1997	90	122	11.19-12.22	*	
2.0 D4d (MPYA)		Diesel	FWD	1997	106	144	09.20-04.25	*	
2.0 D4d (MPY4) (4WZ-FTV)		Diesel	FWD	1997	110	150	02.16-12.22	*	
2.0 D4d (MPY6, MPY5) (4WZ-FHV)		Diesel	FWD	1997	130	177	02.16-04.25	*	
<b>VAUXHALL</b>									
<b>VIVARO III (C) (K0) 03.19-</b>							<b>[CAMBIADO]:Furgón (LCVs-N1 Segment)</b>		
VIVARO-E		Eléctrico	FWD		100	136	09.20-03.24	*	
1.5 (D 15 DT (DV5RUCD))		Diesel	FWD	1499	75	102	03.19-05.25	*	
1.5 (D 15 DTH (DV5RUC))		Diesel	FWD	1499	88	120	03.19-	*	
2.0 (D 20 DTL (DW10FE))		Diesel	FWD	1997	90	122	03.19-04.22	*	
2.0		Diesel	FWD	1997	106	144	08.21-05.25	*	
2.0 (D 20 DTH (DW10FD))		Diesel	FWD	1997	110	150	03.19-09.21	*	
2.0 (D 20 DTR (DW10FDCU))		Diesel	FWD	1997	130	177	03.19-05.25	*	
<b>VIVARO III (C) (K0) 03.19-</b>							<b>Caja/Chasis (LCVs-N1 Segment)</b>		
VIVARO-E		Eléctrico	FWD		100	136	04.23-03.24	*	
2.0 (D 20 DTL (DW10FE))		Diesel	FWD	1997	90	122	03.19-03.23	*	
2.0		Diesel	FWD	1997	106	144	04.23-05.25	*	
<b>VIVARO LIFE (K0) 03.19-</b>							<b>Bus (Minibus-M2-Segment)</b>		
E LIFE (ZKX (ZK01))		Eléctrico	FWD		100	136	09.20-07.24	*	
1.5 (D 15 DT (DV5RUCD))		Diesel	FWD	1499	75	102	03.19-09.22	*	
1.5 (D 15 DTH (DV5RUC))		Diesel	FWD	1499	88	120	03.19-09.22	*	
2.0		Diesel	FWD	1997	106	144	09.20-09.22	*	
2.0 (D 20 DTH (DW10FD))		Diesel	FWD	1997	110	150	03.19-09.21	*	
2.0 (D 20 DTR (DW10FDCU))		Diesel	FWD	1997	130	177	03.19-09.22	*	