

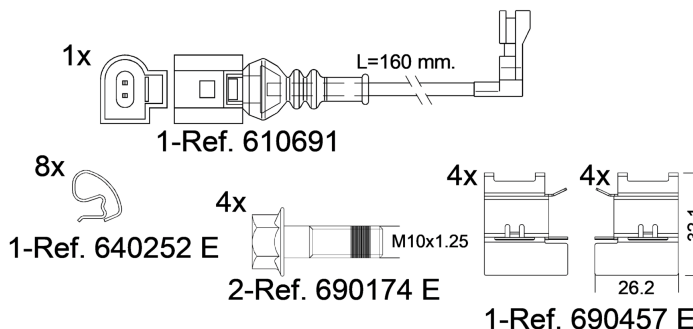
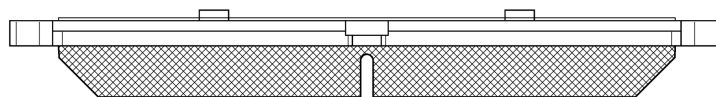
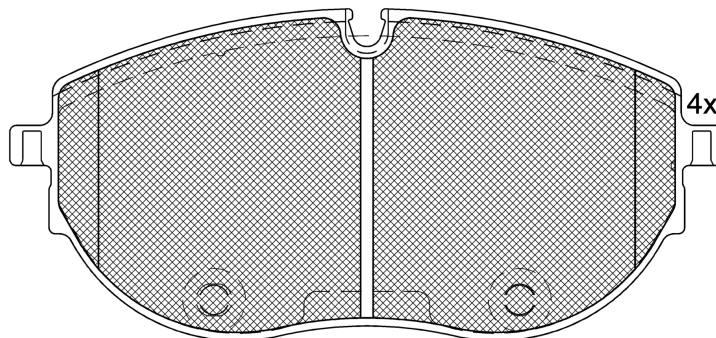
# LISTA DE APLICACIONES - BUYERS GUIDE

## RB2401



Qty: 300

Weight: 3.370



## RB2401

**E 9** 90R-02A0111/5508



Chassis Brake Int. (Bosch)

170.6x79.2x19

**WVA**

26270

Sin Filas



Trac.	CC	Kw	CV
-------	----	----	----



Front / Rear

**VW**

### CALIFORNIA T6 (SGC, SGG, SHC) 04.15-

### Bus (LCVs-N1 Segment)

Model	Trac.	CC	Kw	CV	Period	Notes
2.0 TDI	Diesel	FWD	1968	66	90 10.19-08.24	*
2.0 TDI	Diesel	FWD	1968	81	110 07.19-08.24	*
2.0 TDI	Diesel	FWD	1968	110	150 04.15-08.24	*
2.0 TDI 4motion	Diesel	4WD	1968	110	150 08.15-08.24	*
2.0 TDI	Diesel	FWD	1968	146	199 08.18-08.24	*
2.0 TDI 4motion	Diesel	4WD	1968	146	199 08.18-08.24	*

### MULTIVAN VI (SGF, SGM, SGN, SHM, SHN) 04.15-

### Bus (Minibus-M2-Segment)

Model	Trac.	CC	Kw	CV	Period	Notes
2.0 TDI (CXHC)	Diesel	FWD	1968	81	110 07.19-08.24	*
2.0 TDI (CXFA)	Diesel	FWD	1968	110	150 04.15-08.24	*
2.0 TDI (CXHA)	Diesel	FWD	1968	110	150 04.15-08.24	*
2.0 TDI 4motion (CXFA)	Diesel	4WD	1968	110	150 08.15-08.24	*
2.0 TDI 4motion (CXHA)	Diesel	4WD	1968	110	150 08.15-08.24	*
2.0 TDI (CXEC)	Diesel	FWD	1968	146	199 08.18-08.24	*
2.0 TDI 4motion (CXEC)	Diesel	4WD	1968	146	199 08.18-08.24	*

### TRANSPORTER T6 (SGA, SGH, SHA, SHH) 04.15-

### [CAMBIADO]:Furgón (LCVs-N1 Segment)

Model	Trac.	CC	Kw	CV	Period	Notes
ABT e-Transporter (BOSCH SMG-180.1.3)	Eléctrico	FWD		83	113 01.20-08.24	*
2.0 TDI (CXGD)	Diesel	FWD	1968	66	90 10.19-08.24	*
2.0 TDI (CXHC)	Diesel	FWD	1968	81	110 07.19-08.24	*
2.0 TDI (CXFA)	Diesel	FWD	1968	110	150 04.15-08.24	*
2.0 TDI (CXHA)	Diesel	FWD	1968	110	150 04.15-08.24	*
2.0 TDI 4motion (CXFA)	Diesel	4WD	1968	110	150 08.15-08.24	*
2.0 TDI 4motion (CXHA)	Diesel	4WD	1968	110	150 08.15-08.24	*

## LISTA DE APLICACIONES - BUYERS GUIDE

2.0 TDI (CXEC)	Diesel	FWD	1968	146	199	08.19-08.24	*
2.0 TDI 4motion (CXEC)	Diesel	4WD	1968	146	199	08.18-08.24	*
<b>TRANSPORTER T6 (SFD, SFE, SFL, SFZ, SJD, SJE, SJL, SJZ) 04.15-</b>				<b>Caja/Chasis (LCVs-N1 Segment)</b>			
2.0 TDI (CXGD)	Diesel	FWD	1968	66	90	10.19-08.24	*
2.0 TDI (CXHC)	Diesel	FWD	1968	81	110	07.19-08.24	*
2.0 TDI (CXHA)	Diesel	FWD	1968	110	150	08.15-08.24	*
2.0 TDI 4motion (CXHA)	Diesel	4WD	1968	110	150	05.16-08.24	*
2.0 TDI (CXEC)	Diesel	FWD	1968	146	199	08.19-08.24	*
2.0 TDI 4motion (CXEC)	Diesel	4WD	1968	146	199	08.19-08.24	*
<b>TRANSPORTER T6 / CALIFORNIA / CARAVELLE (SGB, SGJ, SHB, SHJ) 04.15-</b>				<b>Bus (Minibus-M2-Segment)</b>			
ABT e-Caravelle (BOSCH SMG-180.1.3)	Eléctrico	FWD		83	113	01.20-08.24	*
2.0 TDI (CXGD)	Diesel	FWD	1968	66	90	10.19-08.24	*
2.0 TDI (CXHC)	Diesel	FWD	1968	81	110	07.19-08.24	*
2.0 TDI (CXFA)	Diesel	FWD	1968	110	150	04.15-08.24	*
2.0 TDI (CXHA)	Diesel	FWD	1968	110	150	04.15-08.24	*
2.0 TDI 4motion (CXFA)	Diesel	4WD	1968	110	150	08.15-08.24	*
2.0 TDI 4motion (CXHA)	Diesel	4WD	1968	110	150	08.15-08.24	*
2.0 TDI (CXEC)	Diesel	FWD	1968	146	199	08.18-08.24	*
2.0 TDI 4motion (CXEC)	Diesel	4WD	1968	146	199	08.18-08.24	*