

# LISTA DE APLICACIONES - BUYERS GUIDE

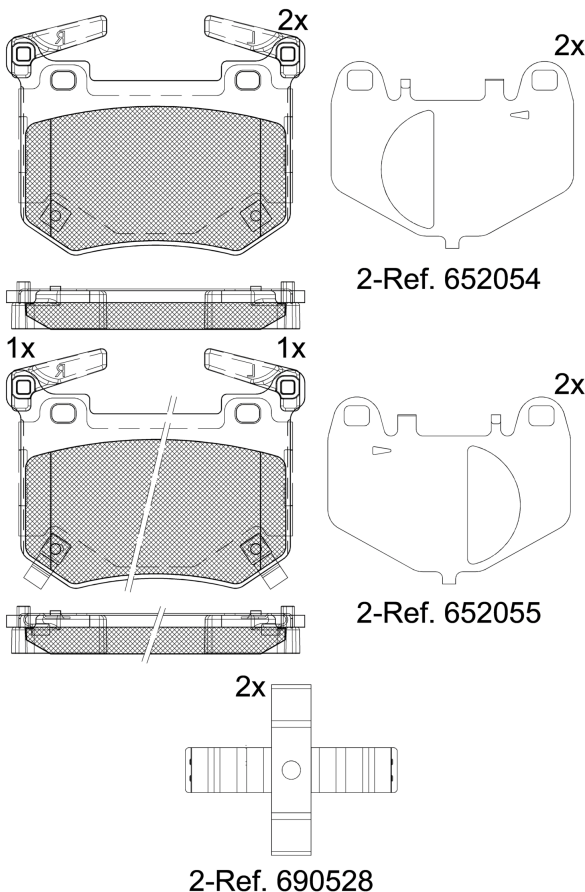
## RB2396



Qty: 300

Weight: 1.895

O.E.M.	MAKE
58302-J5A50	GENESIS
58302-J5A55	KIA



## RB2396

**E 9** 90R-02A0111/5268



Brembo

113.2x90.9x15.7

WVA	FMSI
22873	D2144-9384
22874	
22875	
26131	
26132	

Sin Filas



Trac.	CC	Kw	CV
-------	----	----	----



Front / Rear

### GENESIS

G70 (IK) 09.17-	Sedán (Sports car-S Segment)						
2.0 T-GDI	Gasolina	RWD	1998	145	197	06.21-	*
2.0 T-GDi HTRAC	Gasolina	4WD	1998	145	197	06.21-	*
2.0 T-GDI	Gasolina	RWD	1998	180	245	06.21-	*
2.0 T-GDi HTRAC	Gasolina	4WD	1998	180	245	06.21-	*
2.0 T-GDI (G4KL)	Gasolina	RWD	1998	185	252	09.17-01.20	*
2.0 T-GDi HTRAC (G4KL)	Gasolina	4WD	1998	185	252	09.17-01.20	*
3.3 T-GDi	Gasolina	RWD	3342	272	370	09.17-01.20	*
3.3 T-GDi HTRAC (G6DP)	Gasolina	4WD	3342	272	370	09.17-01.20	*
2.2 CRDi	Diesel	RWD	2199	147	200	06.21-	*
2.2 CRDi HTRAC	Diesel	4WD	2199	147	200	06.21-	*

G70 Shooting Brake (IK) 06.21-	[CAMBIADO]:Break (Sports car-S Segment)						
2.0 T-GDI	Gasolina	RWD	1998	145	197	06.21-	*
2.0 T-GDi HTRAC	Gasolina	4WD	1998	145	197	06.21-	*
2.0 T-GDI	Gasolina	RWD	1998	180	245	06.21-	*
2.0 T-GDi HTRAC	Gasolina	4WD	1998	180	245	06.21-	*
2.2 CRDi	Diesel	RWD	2199	147	200	06.21-	*
2.2 CRDi HTRAC	Diesel	4WD	2199	147	200	06.21-	*

### KIA

STINGER (CK) 06.17-	[CAMBIADO]:Fastback (Executive car-E Segment)						
3.3 T-GDi (G6DP)	Gasolina	RWD	3342	268	364	06.17-12.23	*
3.3 T-GDi (G6DP)	Gasolina	RWD	3342	269	366	07.18-12.23	*
3.3 T-GDi 4WD (G6DP)	Gasolina	4WD	3342	269	366	07.18-12.23	*

## LISTA DE APLICACIONES - BUYERS GUIDE

3.3 T-GDi (G6DP)	Gasolina	RWD	3342	272	370	06.17-12.23	*
3.3 T-GDi 4WD (G6DP)	Gasolina	4WD	3342	272	370	06.17-12.23	*
<b>STINGER Van (CK) 06.17-</b>					<b>Furgón/hatchback (Executive car-E Segment)</b>		
3.3 T-GDi (G6DP)	Gasolina	RWD	3342	269	366	07.18-12.23	*
3.3 T-GDi 4WD (G6DP)	Gasolina	4WD	3342	269	366	07.18-12.23	*