

# LISTA DE APLICACIONES - BUYERS GUIDE

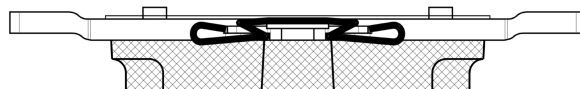
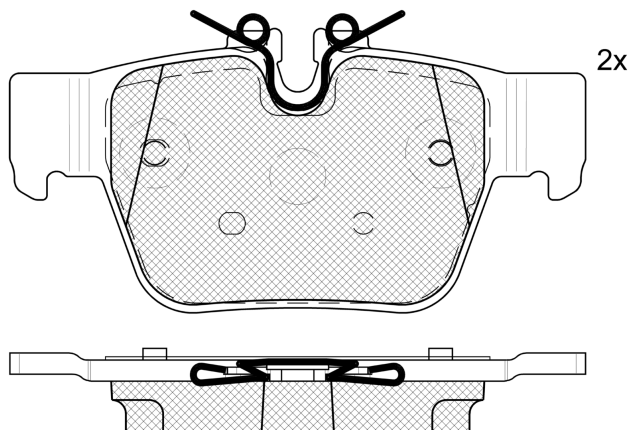
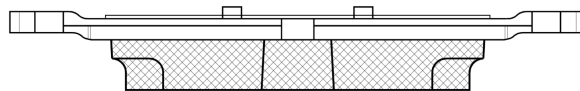
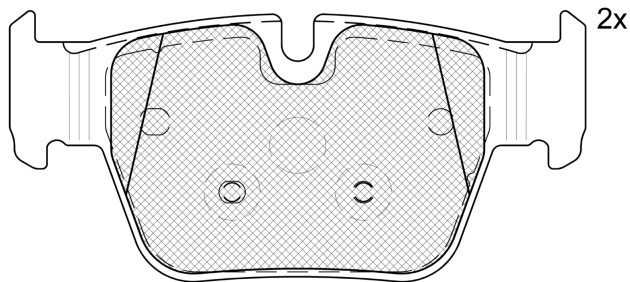
## RB2393



Qty: 300

Weight: 1.160

O.E.M.	MAKE
34 20 6 885 600	MINI



## RB2393

**E 9** 90R-02A0111/5475



Ate - Teves

122.9x57.8x15.9
122.9x60.7x15.9

WVA	FMSI
26212	D2240-9479
26213	

Sin Filas



Trac.	CC	Kw	CV
-------	----	----	----



Front / Rear

### BMW

						[CAMBIADO]:Fastback (Compact car-C Segment)				
<b>1 Serie III (F40) 07.19-</b>										
116 i (B38 A15 A)		Gasolina	FWD	1499	80	109	11.20-		*	
118 i (B38 A15 A)		Gasolina	FWD	1499	100	136	11.20-		*	
118 i (B38 A15 A)		Gasolina	FWD	1499	103	140	07.19-		*	
120 i (B48 A20 A)		Gasolina	FWD	1998	131	178	11.20-		*	
120 i (B48 A20 F)		Gasolina	FWD	1998	131	178	11.20-		*	
128 ti (B48 A20 E)		Gasolina	FWD	1998	195	265	11.20-		*	
M 135 i xDrive (B48 A20 E)		Gasolina	4WD	1998	225	306	07.19-		*	
116 d (B37 C15 A)		Diesel	FWD	1496	85	116	07.19-		*	
118 d (B47 C20 B)		Diesel	FWD	1995	100	136	07.19-		*	
118 d (B47 C20 B)		Diesel	FWD	1995	110	150	07.19-		*	
120 d (B47 C20 B)		Diesel	FWD	1995	140	190	03.20-		*	
120 d xDrive (B47 C20 B)		Diesel	4WD	1995	140	190	07.19-		*	
<b>2 Gran Coupé (F44) 11.19-</b>						<b>Coupé (Compact car-C Segment)</b>				
218i (B38 A15 A)		Gasolina	FWD	1499	100	136	11.20-		*	
218i (B38 A15 A)		Gasolina	FWD	1499	103	140	11.19-		*	
220 i (B48 A20 A)		Gasolina	FWD	1998	131	178	11.20-		*	
220 i (B48 A20 F)		Gasolina	FWD	1998	131	178	11.20-		*	
220 i xDrive		Gasolina	4WD	1998	131	178	03.21-		*	
228 i xDrive (B46 A20 B)		Gasolina	4WD	1998	170	231	11.19-		*	
M 235 i xDrive (B48 A20 E)		Gasolina	4WD	1998	225	306	11.19-		*	
216 d (B37 C15 A)		Diesel	FWD	1496	85	116	03.20-		*	
218d (B47 C20 B)		Diesel	FWD	1995	100	136	07.20-10.24		*	

## LISTA DE APLICACIONES - BUYERS GUIDE

218d (B47 C20 B)	Diesel	FWD	1995	110	150	07.20-	*
220 d (B47 C20 B)	Diesel	FWD	1995	120	163	11.19-	*
220 d (B47 C20 B)	Diesel	FWD	1995	140	190	11.19-	*
220 d xDrive (B47 C20 B)	Diesel	4WD	1995	140	190	07.20-10.24	*
<b>X2 (F39) 11.17-</b>				<b>SUV (Compact SUV-J Segment)</b>			
M35 i (B48 A20 E)	Gasolina	4WD	1998	225	306	11.18-10.23	*
<b>MINI</b>							
<b>MINI CLUBMAN II (F54) 11.14-</b>				<b>[CAMBIADO]:Break (Supermini car-B Segment)</b>			
John Cooper Works (B48 A20 E)	Gasolina	4WD	1998	200	272	11.19-	*
John Cooper Works (B48 A20 E)	Gasolina	4WD	1998	225	306	07.19-	*
<b>MINI COUNTRYMAN II (F60) 10.16-</b>				<b>[CAMBIADO]:Break (Supermini car-B Segment)</b>			
John Cooper Works ALL4 (B48 A20 E)	Gasolina	4WD	1998	225	306	07.19-	*