


LISTA DE APLICACIONES - BUYERS GUIDE

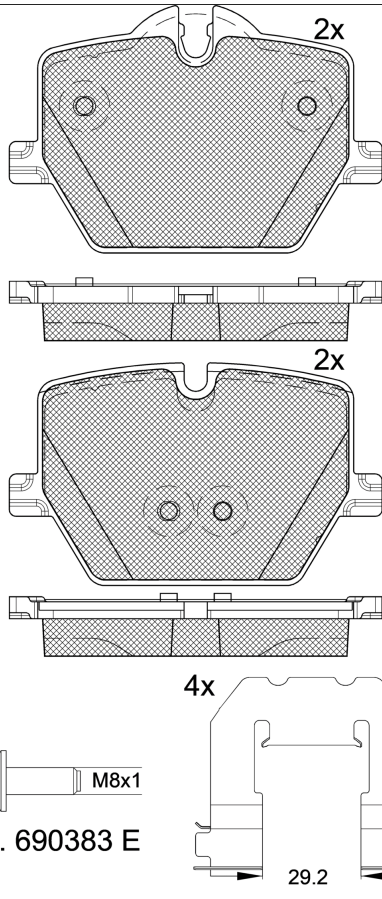
RB2386



8 424073 202376

Qty: 300 Weight: 1.610

O.E.M.	MAKE
04466-WAA03	TOYOTA
34 20 6 888 835	BMW




2x
2x
4x
4x

M8x1
1-Ref. 690383 E
29.2
1-Ref. 690576 E

RB2386

E 9 **90R-02A0111/5468**



Trw

110.6x66x16.8
110.6x73.3x16.8

WVA	FMSI
21474	D2220-9460
21475	

Sin Filas



Trac.	CC	Kw	CV				
						Front / Rear	

ALPINA								
B3 VII (G20) 09.19-						Sedán (Compact executive car-D Segment)		
BITURBO A las 4 ruedas		Gasolina	4WD	2993	340	462	09.19-12.25	*
B3 VII Touring (G21) 09.19-						[CAMBIADO]:Break (Compact executive car-D Segment)		
BITURBO A las 4 ruedas		Gasolina	4WD	2993	340	462	09.19-12.25	*
D3 III (G20) 05.20-						Sedán (Compact executive car-D Segment)		
S (B57 D30 B)		Diesel/el éc.	4WD	2993	261	355	05.20-12.25	*
D3 III Touring (G21) 05.20-						[CAMBIADO]:Break (Compact executive car-D Segment)		
S (B57 D30 B)		Diesel/el éc.	4WD	2993	261	355	05.20-12.25	*
BMW								
2 Serie II (G42, G87) 08.21-						Coupé (Compact car-C Segment)		
218i		Gasolina	RWD	1998	115	156	07.22-	*
220 i		Gasolina	RWD	1998	135	184	08.21-	*
230 i		Gasolina	RWD	1998	180	245	04.22-	*
M240 i		Gasolina	RWD	2998	275	374	07.22-	*
M240 i xDrive		Gasolina	4WD	2998	275	374	08.21-	*
220 d Mild-Hybrid		Diesel/el éc.	RWD	1995	140	190	08.21-	*
3 Serie VII (G20, G80, G28) 11.18-						Sedán (Compact executive car-D Segment)		
320 i 1.6 (B48 B16 A)		Gasolina	RWD	1597	125	170	03.19-	*
318i (B48 B20 A)		Gasolina	RWD	1998	115	156	03.20-	*
320i (B48 B20 A)		Gasolina	RWD	1998	135	184	03.19-	*

LISTA DE APLICACIONES - BUYERS GUIDE

320i (B48 B20 B)	Gasolina	RWD	1998	135	184	03.19-	*
320 i xDrive (B48 B20 A)	Gasolina	4WD	1998	135	184	07.19-	*
330i	Gasolina	RWD	1998	180	245	07.22-	*
330 i xDrive	Gasolina	4WD	1998	180	245	07.22-	*
330i (B46 B20 B)	Gasolina	RWD	1998	190	258	11.18-	*
330i (B48 B20 B)	Gasolina	RWD	1998	190	258	11.18-	*
330 i xDrive (B46 B20 B)	Gasolina	4WD	1998	190	258	11.18-	*
330 i xDrive (B48 B20 B)	Gasolina	4WD	1998	190	258	11.18-	*
330 Li (B48 B20 B)	Gasolina	RWD	1998	190	255	02.21-	*
M 340 i xDrive (B58 B30 B)	Gasolina	4WD	2998	275	374	07.19-	*
M 340 i	Gasolina	RWD	2998	285	387	03.19-	*
M 340 i xDrive (B58 B30 B)	Gasolina	4WD	2998	285	387	03.19-	*
320 e Plug-in-Hybrid (B48 B20 A)	Gasol./el éc.	RWD	1998	120	163	07.20-	*
320 e Plug-in-Hybrid (GC1)	Gasol./el éc.	RWD	1998	120	163	07.20-	*
330 e Plug-in-Hybrid (B46 B20 B)	Gasol./el éc.	RWD	1998	135	184	07.19-	*
330 e Plug-in-Hybrid (B48 B20 A)	Gasol./el éc.	RWD	1998	135	184	07.19-	*
330 e Plug-in-Hybrid (B48 B20 B)	Gasol./el éc.	RWD	1998	135	184	07.19-	*
330 e Plug-in-Hybrid (GC1)	Gasol./el éc.	RWD	1998	135	184	07.19-	*
330 e Plug-in-Hybrid xDrive (B46 B20 B)	Gasol./el éc.	4WD	1998	135	184	07.20-	*
330 e Plug-in-Hybrid xDrive (B48 B20 A)	Gasol./el éc.	4WD	1998	135	184	07.20-	*
330 e Plug-in-Hybrid xDrive (GC1)	Gasol./el éc.	4WD	1998	135	184	07.20-	*
320 e Plug-in-Hybrid (B48 B20 A)	Gasol./el éc.	RWD	1998	150	204	07.20-	*
320 e Plug-in-Hybrid (GC1)	Gasol./el éc.	RWD	1998	150	204	07.20-	*
330 e Plug-in-Hybrid (B46 B20 B)	Gasol./el éc.	RWD	1998	185	252	07.19-02.20	*
330 e Plug-in-Hybrid (B48 B20 A)	Gasol./el éc.	RWD	1998	185	252	07.19-02.20	*
330 e Plug-in-Hybrid (B48 B20 B)	Gasol./el éc.	RWD	1998	185	252	07.19-02.20	*
330 e Plug-in-Hybrid (GC1)	Gasol./el éc.	RWD	1998	185	252	07.19-02.20	*
330 e Plug-in-Hybrid (B46 B20 B)	Gasol./el éc.	RWD	1998	215	292	07.19-	*
330 e Plug-in-Hybrid (B48 B20 B)	Gasol./el éc.	RWD	1998	215	292	07.19-	*
330 e Plug-in-Hybrid (GC1)	Gasol./el éc.	RWD	1998	215	292	07.19-	*
330 e Plug-in-Hybrid xDrive (B46 B20 B)	Gasol./el éc.	4WD	1998	215	292	07.20-	*
330 e Plug-in-Hybrid xDrive (B48 B20 A)	Gasol./el éc.	4WD	1998	215	292	07.20-	*
330 e Plug-in-Hybrid xDrive (GC1)	Gasol./el éc.	4WD	1998	215	292	07.20-	*
M 340 i Mild-Hybrid xDrive (B58 B30 B)	Gasol./el éc.	4WD	2998	275	374	11.20-	*
M 340 i Mild-Hybrid xDrive (JA1)	Gasol./el éc.	4WD	2998	275	374	11.20-	*
316 d Mild-Hybrid (B47 D20 B)	Diesel/el éc.	RWD	1995	85	116	11.20-	*
316 d Mild-Hybrid (JA1)	Diesel/el éc.	RWD	1995	85	116	11.20-	*
316 d Mild-Hybrid (B47 D20 B)	Diesel/el éc.	RWD	1995	90	122	08.20-	*
316 d Mild-Hybrid (JA1)	Diesel/el éc.	RWD	1995	90	122	08.20-	*

LISTA DE APLICACIONES - BUYERS GUIDE

318 d Mild-Hybrid (B47 D20 B)		Diesel/el éc.	RWD	1995	100	136	04.20-	*
318 d Mild-Hybrid (JA1)		Diesel/el éc.	RWD	1995	100	136	04.20-	*
318 d Mild-Hybrid (B47 D20 B)		Diesel/el éc.	RWD	1995	110	150	04.20-	*
318 d Mild-Hybrid (JA1)		Diesel/el éc.	RWD	1995	110	150	04.20-	*
320 d Mild-Hybrid (B47 D20 B)		Diesel/el éc.	RWD	1995	120	163	03.20-	*
320 d Mild-Hybrid (JA1)		Diesel/el éc.	RWD	1995	120	163	03.20-	*
320 d Mild-Hybrid xDrive (B47 D20 B)		Diesel/el éc.	4WD	1995	120	163	03.20-	*
320 d Mild-Hybrid xDrive (JA1)		Diesel/el éc.	4WD	1995	120	163	03.20-	*
320 d Mild-Hybrid (B47 D20 B)		Diesel/el éc.	RWD	1995	140	190	03.20-	*
320 d Mild-Hybrid (JA1)		Diesel/el éc.	RWD	1995	140	190	03.20-	*
320 d Mild-Hybrid xDrive (B47 D20 B)		Diesel/el éc.	4WD	1995	140	190	03.20-	*
320 d Mild-Hybrid xDrive (JA1)		Diesel/el éc.	4WD	1995	140	190	03.20-	*
330 d Mild-Hybrid (B57 D30 B)		Diesel/el éc.	RWD	2993	210	286	11.20-	*
330 d Mild-Hybrid (JA1)		Diesel/el éc.	RWD	2993	210	286	11.20-	*
330 d Mild-Hybrid xDrive (B57 D30 B)		Diesel/el éc.	4WD	2993	210	286	11.20-	*
330 d Mild-Hybrid xDrive (JA1)		Diesel/el éc.	4WD	2993	210	286	11.20-	*
M340 d Mild-Hybrid xDrive (B57 D30 B)		Diesel/el éc.	4WD	2993	250	340	04.20-	*
M340 d Mild-Hybrid xDrive (JA1)		Diesel/el éc.	4WD	2993	250	340	04.20-	*
316 d (B47 D20 B)		Diesel	RWD	1995	85	116	11.20-	*
316 d (B47 D20 B)		Diesel	RWD	1995	90	122	03.20-	*
318 d (B47 D20 B)		Diesel	RWD	1995	100	136	03.19-03.20	*
318 d (B47 D20 B)		Diesel	RWD	1995	110	150	03.19-03.20	*
320 d (B47 D20 B)		Diesel	RWD	1995	120	163	11.18-02.20	*
320 d xDrive (B47 D20 B)		Diesel	4WD	1995	120	163	11.18-02.20	*
320 d (B47 D20 B)		Diesel	RWD	1995	140	190	11.18-	*
320 d xDrive (B47 D20 B)		Diesel	4WD	1995	140	190	11.18-02.20	*
330 d (B57 D30 A)		Diesel	RWD	2993	195	265	03.19-	*
330 d xDrive (B57 D30 A)		Diesel	4WD	2993	195	265	07.19-	*
3 Serie VII Touring (G21, G81) 07.19-					[CAMBIADO]:Break (Compact executive car-D Segment)			
318i (B48 B20 A)		Gasolina	RWD	1998	115	156	03.20-	*
320i (B46 B20 B)		Gasolina	RWD	1998	135	184	11.19-	*
320i (B48 B20 A)		Gasolina	RWD	1998	135	184	11.19-	*
330i		Gasolina	RWD	1998	180	245	07.19-	*
330 i xDrive		Gasolina	4WD	1998	180	245	07.19-	*
330i (B48 B20 B)		Gasolina	RWD	1998	190	258	07.19-	*
330 i xDrive (B48 B20 B)		Gasolina	4WD	1998	190	258	07.19-	*
M 340 i xDrive (B58 B30 B)		Gasolina	4WD	2998	275	374	11.19-	*
M 340 i xDrive (B58 B30 B)		Gasolina	4WD	2998	285	387	11.19-	*
320 e Plug-in-Hybrid (B48 B20 A)		Gasol./el éc.	RWD	1998	120	163	07.20-	*
320 e Plug-in-Hybrid (GC1)		Gasol./el éc.	RWD	1998	120	163	07.20-	*
320 e Plug-in-Hybrid xDrive		Gasol./el éc.	4WD	1998	120	163	03.21-	*

LISTA DE APLICACIONES - BUYERS GUIDE

330 e Plug-in-Hybrid (B48 B20 A)	Gasol./el éc.	RWD	1998	135	184	07.20-	*
330 e Plug-in-Hybrid (GC1)	Gasol./el éc.	RWD	1998	135	184	07.20-	*
330 e Plug-in-Hybrid xDrive (B48 B20 A)	Gasol./el éc.	4WD	1998	135	184	07.20-	*
330 e Plug-in-Hybrid xDrive (GC1)	Gasol./el éc.	4WD	1998	135	184	07.20-	*
320 e Plug-in-Hybrid (B48 B20 A)	Gasol./el éc.	RWD	1998	150	204	07.20-	*
320 e Plug-in-Hybrid (GC1)	Gasol./el éc.	RWD	1998	150	204	07.20-	*
320 e Plug-in-Hybrid xDrive	Gasol./el éc.	4WD	1998	150	204	03.21-	*
330 e Plug-in-Hybrid (B48 B20 A)	Gasol./el éc.	RWD	1998	215	292	07.20-	*
330 e Plug-in-Hybrid (GC1)	Gasol./el éc.	RWD	1998	215	292	07.20-	*
330 e Plug-in-Hybrid xDrive (B48 B20 A)	Gasol./el éc.	4WD	1998	215	292	07.20-	*
330 e Plug-in-Hybrid xDrive (GC1)	Gasol./el éc.	4WD	1998	215	292	07.20-	*
M 340 i Mild-Hybrid xDrive (B58 B30 B)	Gasol./el éc.	4WD	2998	275	374	11.20-	*
M 340 i Mild-Hybrid xDrive (JA1)	Gasol./el éc.	4WD	2998	275	374	11.20-	*
316 d Mild-Hybrid (B47 D20 B)	Diesel/el éc.	RWD	1995	85	116	11.20-	*
316 d Mild-Hybrid (JA1)	Diesel/el éc.	RWD	1995	85	116	11.20-	*
316 d Mild-Hybrid (B47 D20 B)	Diesel/el éc.	RWD	1995	90	122	07.20-	*
316 d Mild-Hybrid (JA1)	Diesel/el éc.	RWD	1995	90	122	07.20-	*
318 d Mild-Hybrid (B47 D20 B)	Diesel/el éc.	RWD	1995	100	136	08.20-	*
318 d Mild-Hybrid (JA1)	Diesel/el éc.	RWD	1995	100	136	08.20-	*
318 d Mild-Hybrid (B47 D20 B)	Diesel/el éc.	RWD	1995	110	150	08.20-	*
318 d Mild-Hybrid (JA1)	Diesel/el éc.	RWD	1995	110	150	08.20-	*
320 d Mild-Hybrid (B47 D20 B)	Diesel/el éc.	RWD	1995	120	163	03.20-	*
320 d Mild-Hybrid (JA1)	Diesel/el éc.	RWD	1995	120	163	03.20-	*
320 d Mild-Hybrid xDrive (B47 D20 B)	Diesel/el éc.	4WD	1995	120	163	03.20-	*
320 d Mild-Hybrid xDrive (JA1)	Diesel/el éc.	4WD	1995	120	163	03.20-	*
320 d Mild-Hybrid (B47 D20 B)	Diesel/el éc.	RWD	1995	140	190	03.20-	*
320 d Mild-Hybrid (JA1)	Diesel/el éc.	RWD	1995	140	190	03.20-	*
320 d Mild-Hybrid xDrive (B47 D20 B)	Diesel/el éc.	4WD	1995	140	190	03.20-	*
320 d Mild-Hybrid xDrive (JA1)	Diesel/el éc.	4WD	1995	140	190	03.20-	*
330 d Mild-Hybrid (B57 D30 B)	Diesel/el éc.	RWD	2993	210	286	11.20-	*
330 d Mild-Hybrid (JA1)	Diesel/el éc.	RWD	2993	210	286	11.20-	*
330 d Mild-Hybrid xDrive (B57 D30 B)	Diesel/el éc.	4WD	2993	210	286	11.20-	*
330 d Mild-Hybrid xDrive (JA1)	Diesel/el éc.	4WD	2993	210	286	11.20-	*
M340 d Mild-Hybrid xDrive (B57 D30 B)	Diesel/el éc.	4WD	2993	250	340	04.20-	*
M340 d Mild-Hybrid xDrive (JA1)	Diesel/el éc.	4WD	2993	250	340	04.20-	*
316 d (B47 D20 B)	Diesel	RWD	1995	85	116	11.20-	*

LISTA DE APLICACIONES - BUYERS GUIDE

316 d (B47 D20 B)		Diesel	RWD	1995	90	122	11.20-	*	
318 d (B47 D20 B)		Diesel	RWD	1995	100	136	11.19-07.20	*	
318 d (B47 D20 B)		Diesel	RWD	1995	110	150	11.19-07.20	*	
320 d (B47 D20 B)		Diesel	RWD	1995	120	163	07.19-02.20	*	
320 d xDrive (B47 D20 B)		Diesel	4WD	1995	120	163	07.19-02.20	*	
320 d (B47 D20 B)		Diesel	RWD	1995	140	190	07.19-02.20	*	
320 d xDrive (B47 D20 B)		Diesel	4WD	1995	140	190	07.19-02.20	*	
330 d (B57 D30 A)		Diesel	RWD	2993	195	265	11.19-	*	
330 d xDrive (B57 D30 A)		Diesel	4WD	2993	195	265	07.19-	*	
3 Serie VII Touring Van (G21) 07.19-					[CAMBIADO]:Furgón/Break (Compact executive car-D Segment)				
320i (B46 B20 B)		Gasolina	RWD	1998	135	184	11.19-	*	
320i (B48 B20 A)		Gasolina	RWD	1998	135	184	11.19-	*	
330i (B48 B20 B)		Gasolina	RWD	1998	190	258	07.19-	*	
M 340 i xDrive (B58 B30 B)		Gasolina	4WD	2998	275	374	11.19-	*	
320 d Mild-Hybrid (B47 D20 B)		Diesel/el éc.	RWD	1995	140	190	03.20-	*	
320 d Mild-Hybrid (JA1)		Diesel/el éc.	RWD	1995	140	190	03.20-	*	
320 d Mild-Hybrid xDrive (B47 D20 B)		Diesel/el éc.	4WD	1995	140	190	03.20-	*	
320 d Mild-Hybrid xDrive (JA1)		Diesel/el éc.	4WD	1995	140	190	03.20-	*	
318 d		Diesel	RWD	1995	110	150	11.19-06.22	*	
320 d (B47 D20 B)		Diesel	RWD	1995	140	190	07.19-02.20	*	
320 d xDrive (B47 D20 B)		Diesel	4WD	1995	140	190	07.19-02.20	*	
330 d (B57 D30 A)		Diesel	RWD	2993	195	265	11.19-	*	
330 d xDrive (B57 D30 A)		Diesel	4WD	2993	195	265	11.19-	*	
4 Serie II (G23, G83) 11.20-					Cabrio (Compact executive car-D Segment)				
420 i (B48 B20 A)		Gasolina	RWD	1998	135	184	11.20-	*	
430 i		Gasolina	RWD	1998	180	245	07.21-	*	
430 i xDrive		Gasolina	4WD	1998	180	245	07.21-	*	
430 i (B46 B20 B)		Gasolina	RWD	1998	190	258	11.20-	*	
430 i (B48 B20 B)		Gasolina	RWD	1998	190	258	11.20-	*	
M440 i Mild-Hybrid		Gasol./el éc.	RWD	2998	275	374	07.21-	*	
M440 i Mild-Hybrid xDrive (B58 B30 B)		Gasol./el éc.	4WD	2998	275	374	11.20-	*	
M440 i Mild-Hybrid xDrive (JA1)		Gasol./el éc.	4WD	2998	275	374	11.20-	*	
M 440 i Mild Hybrid (B58 B30 B,JA1)		Gasol./el éc.	RWD	2998	285	387	11.20-	*	
M440 i Mild-Hybrid xDrive (B58 B30 B)		Gasol./el éc.	4WD	2998	285	387	11.20-	*	
M440 i Mild-Hybrid xDrive (JA1)		Gasol./el éc.	4WD	2998	285	387	11.20-	*	
420 d Mild-Hybrid (B47 D20 B)		Diesel/el éc.	RWD	1995	120	163	11.20-	*	
420 d Mild-Hybrid (JA1)		Diesel/el éc.	RWD	1995	120	163	11.20-	*	
420 d Mild-Hybrid (B47 D20 B)		Diesel/el éc.	RWD	1995	140	190	11.20-	*	
420 d Mild-Hybrid (JA1)		Diesel/el éc.	RWD	1995	140	190	11.20-	*	
430 d Mild-Hybrid (B57 D30 B)		Diesel/el éc.	RWD	2993	210	286	07.21-	*	
430 d Mild-Hybrid (JA1)		Diesel/el éc.	RWD	2993	210	286	07.21-	*	
M440 d Mild-Hybrid xDrive (B57 D30 B)		Diesel/el éc.	4WD	2993	250	340	11.21-	*	

LISTA DE APLICACIONES - BUYERS GUIDE

M440 d Mild-Hybrid xDrive (JA1)		Diesel/el éc.	4WD	2993	250	340	11.21-	*
4 Serie II (G22, G82) 07.20-					Coupé (Compact executive car-D Segment)			
420 i 1.6 (B48 B16 A)		Gasolina	RWD	1597	125	170	11.20-	*
420 i (B46 B20 B)		Gasolina	RWD	1998	135	184	07.20-	*
420 i (B48 B20 A)		Gasolina	RWD	1998	135	184	07.20-	*
420 i		Gasolina	RWD	1998	135	184	07.21-	*
420 i xDrive		Gasolina	4WD	1998	135	184	07.21-	*
430 i		Gasolina	RWD	1998	180	245	07.21-	*
430 i		Gasolina	RWD	1998	180	245	07.21-	*
430 i xDrive		Gasolina	4WD	1998	180	245	07.21-	*
430 i (B46 B20 B)		Gasolina	RWD	1998	190	258	07.20-	*
430 i (B48 B20 B)		Gasolina	RWD	1998	190	258	07.20-	*
430 i xDrive (B46 B20 B)		Gasolina	4WD	1998	190	258	07.20-	*
430 i		Gasol./el éc.	RWD	1998	190	258	07.24-	*
430 i Mild-Hybrid xDrive		Gasol./el éc.	4WD	1998	190	258	07.24-	*
M440 i Mild-Hybrid		Gasol./el éc.	RWD	2998	275	374	07.21-	*
M440 i Mild-Hybrid		Gasol./el éc.	RWD	2998	275	374	09.22-	*
M440 i Mild-Hybrid xDrive (B58 B30 B)		Gasol./el éc.	4WD	2998	275	374	11.20-	*
M440 i Mild-Hybrid xDrive		Gasol./el éc.	4WD	2998	275	374	07.21-	*
M440 i Mild-Hybrid xDrive (B58 B30 B)		Gasol./el éc.	4WD	2998	285	387	07.20-	*
M440 i Mild-Hybrid xDrive (JA1)		Gasol./el éc.	4WD	2998	285	387	07.20-	*
i4 eDrive35		Eléctrico	RWD		210	286	11.22-	*
i4 eDrive40		Eléctrico	RWD		250	340	11.21-	*
i4 xDrive40		Eléctrico	4WD		295	401	07.24-	*
i4 M50 xDrive		Eléctrico	4WD		400	544	11.21-	*
420 d Mild-Hybrid (B47 D20 B)		Diesel/el éc.	RWD	1995	120	163	07.20-	*
420 d Mild-Hybrid (JA1)		Diesel/el éc.	RWD	1995	120	163	07.20-	*
420 d Mild-Hybrid xDrive (B47 D20 B)		Diesel/el éc.	4WD	1995	120	163	07.20-	*
420 d Mild-Hybrid xDrive (JA1)		Diesel/el éc.	4WD	1995	120	163	07.20-	*
420 d Mild-Hybrid (B47 D20 B)		Diesel/el éc.	RWD	1995	140	190	07.20-	*
420 d Mild-Hybrid (JA1)		Diesel/el éc.	RWD	1995	140	190	07.20-	*
420 d Mild-Hybrid		Diesel/el éc.	RWD	1995	140	190	07.21-	*
420 d Mild-Hybrid xDrive (B47 D20 B)		Diesel/el éc.	4WD	1995	140	190	07.20-	*
420 d Mild-Hybrid xDrive (JA1)		Diesel/el éc.	4WD	1995	140	190	07.20-	*
420 d Mild-Hybrid xDrive		Diesel/el éc.	4WD	1995	140	190	07.21-	*
430 d Mild-Hybrid xDrive (B57 D30 B)		Diesel/el éc.	4WD	2993	210	286	03.21-	*
430 d Mild-Hybrid xDrive (JA1)		Diesel/el éc.	4WD	2993	210	286	03.21-	*
430 d Mild-Hybrid xDrive		Diesel/el éc.	4WD	2993	210	286	05.22-	*
M440 d Mild-Hybrid xDrive (B57 D30 B)		Diesel/el éc.	4WD	2993	250	340	03.21-	*
M440 d Mild-Hybrid xDrive (JA1)		Diesel/el éc.	4WD	2993	250	340	03.21-	*

LISTA DE APLICACIONES - BUYERS GUIDE

Z4 III (G29) 11.18-					Cabrío (Sports car-S Segment)			
sDrive20i (B46 B20 B)	Gasolina	RWD	1998	120	163	11.18-	*	
sDrive20i (B48 B20 B)	Gasolina	RWD	1998	120	163	11.18-	*	
sDrive20i (B46 B20 B)	Gasolina	RWD	1998	145	197	11.18-	*	
sDrive20i (B48 B20 B)	Gasolina	RWD	1998	145	197	11.18-	*	
sDrive 30 i (B46 B20 B)	Gasolina	RWD	1998	190	258	11.18-	*	
sDrive 30 i (B48 B20 B)	Gasolina	RWD	1998	190	258	11.18-	*	
M40 i (B58 B30 C)	Gasolina	RWD	2998	250	340	11.18-	*	
M40 i	Gasolina	RWD	2998	285	387	03.19-	*	
BMW (BRILLIANCE)								
3 SERIES VII (G28, G20) 06.19-					Sedán (Compact executive car-D Segment)			
320i	Gasolina	RWD	1998	115	156	11.19-	*	
330 Li	Gasolina	RWD	1998	115	156	11.19-	*	
325i	Gasolina	RWD	1998	135	184	06.19-	*	
330i	Gasolina	RWD	1998	190	258	11.19-	*	
330 Li xDrive	Gasolina	4WD	1998	190	258	11.19-	*	
TOYOTA								
SUPRA V (DB_) 03.19-					Coupé (Grand Tourer-S Segment)			
2.0 (DB82, DB81, DB86) (B48L)	Gasolina	RWD	1998	145	197	06.19-	*	
2.0 (DB21, DB22, DB23, DB26) (B46H)	Gasolina	RWD	1998	190	258	06.19-	*	
2.0 (DB21, DB22, DB23, DB26) (B48H)	Gasolina	RWD	1998	190	258	06.19-	*	
3.0 GR (DB41, DB42, DB43, DB45, DB46) (B58)	Gasolina	RWD	2998	250	340	03.19-	*	
3.0 GR (DB41, DB42, DB43, DB45, DB46) (B58 B30 C)	Gasolina	RWD	2998	250	340	03.19-	*	
3.0 GR (DB01, DB02, DB03, DB06, DB92) (B58B30O1, B58H)	Gasolina	RWD	2998	285	387	07.20-	*	