

LISTA DE APLICACIONES - BUYERS GUIDE

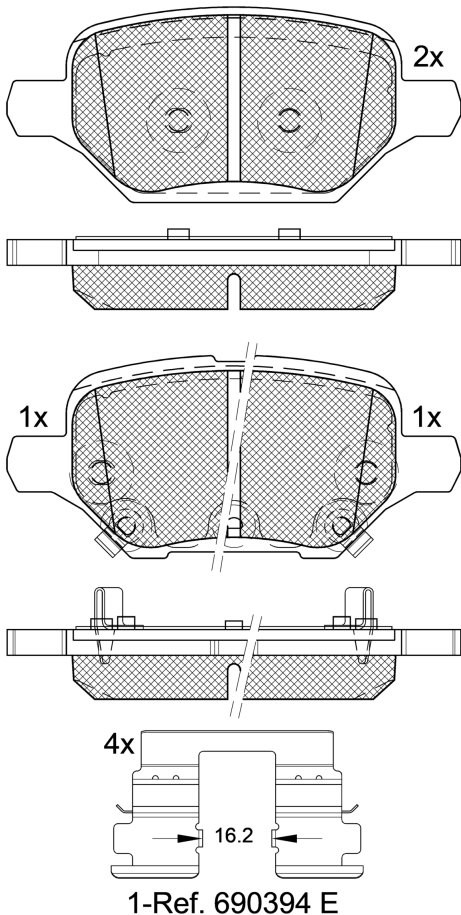
RB2370



Qty: 300

Weight: 990

O.E.M.	MAKE
42 539 412	VAUXHALL
42 539 413	GM
42 539 416	GM
42 676 740	BUICK (SGM)
4267 6739	CHEVROLET
4267 6740	CHEVROLET
4278 8828	CHEVROLET



RB2370

E 9 90R-02A0111/5482



Trw

106.4x45.8x17

106.4x47.5x17

WVA	FMSI
22930	D2168-9412
22931	
22932	

Sin Filas



Trac.	CC	Kw	CV
-------	----	----	----



Front / Rear

BUICK

ENCORE SUV 09.12-

SUV (Mini SUV-J Segment)

1.4 (LUV)	Gasolina	FWD	1364	103	140	09.12-	*
-----------	----------	-----	------	-----	-----	--------	---

BUICK (SGM)

ENCORE (SJ2) 07.12-

SUV (Mini SUV-J Segment)

1.4	Gasolina	FWD	1364	103	140	07.12-11.13	*
1.4	Gasolina	FWD	1364	103	140	07.12-11.13	*
1.4 T	Gasolina	FWD	1364	103	140	10.12-	*
1.4 T A las 4 ruedas	Gasolina	FWD	1364	103	140	10.12-	*

CHEVROLET

TRAX / TRACKER 12.12-

SUV (Mini SUV-J Segment)

1.4 (LUJ)	Gasolina	FWD	1364	103	140	12.12-	*
1.4 AWD (LUJ)	Gasolina	4WD	1364	103	140	12.12-	*
1.6 (LDE)	Gasolina	FWD	1598	85	116	12.12-	*
1.6	Gasolina	FWD	1598	85	116	12.12-	*
1.8 (2H0)	Gasolina	FWD	1796	103	140	03.13-	*
1.8 AWD (2H0)	Gasolina	4WD	1796	103	140	03.13-	*
1.4 LPG (LUJ)	Gasol./Gas (LPG)	FWD	1364	103	140	04.13-	*
1.6 D (LVL)	Diesel	FWD	1598	100	136	11.14-12.15	*
1.7 TD (LUD)	Diesel	FWD	1686	96	131	12.12-	*
1.7 TD AWD (LUD)	Diesel	4WD	1686	96	131	12.12-	*

OPEL

LISTA DE APLICACIONES - BUYERS GUIDE

MOKKA / MOKKA X (J13) 06.12-					SUV (Mini SUV-J Segment)			
1.4 (_76) (D 14 NEL)	Gasolina	FWD	1364	88	120	06.18-12.19	*	
1.4 (_76) (A 14 NET)	Gasolina	FWD	1364	103	140	04.13-12.19	*	
1.4 (_76) (B 14 NET)	Gasolina	FWD	1364	103	140	04.13-12.19	*	
1.4 (_76) (D 14 NET)	Gasolina	FWD	1364	103	140	04.13-12.19	*	
1.4 4x4 (_76) (A 14 NET)	Gasolina	4WD	1364	103	140	06.12-12.19	*	
1.4 4x4 (_76) (B 14 NET)	Gasolina	4WD	1364	103	140	06.12-12.19	*	
1.4 4x4 (_76) (D 14 NET)	Gasolina	4WD	1364	103	140	06.12-12.19	*	
1.4 4x4 (_76) (B 14 XFT)	Gasolina	4WD	1399	112	152	06.16-12.19	*	
1.6 (_76) (A 16 XER)	Gasolina	FWD	1598	85	116	06.12-12.19	*	
1.6 (_76) (B 16 XER)	Gasolina	FWD	1598	85	116	06.12-12.19	*	
1.6 (_76) (D 16 XER)	Gasolina	FWD	1598	85	116	06.12-12.19	*	
1.8 (_76) (A 18 XER)	Gasolina	FWD	1796	103	140	01.13-12.19	*	
1.8 4x4 (_76) (A 18 XER)	Gasolina	4WD	1796	103	140	01.13-12.19	*	
1.4 LPG (_76) (A 14 NET)	Gasol./Gas (LPG)	FWD	1364	103	140	04.13-12.19	*	
1.4 LPG (_76) (B 14 NET)	Gasol./Gas (LPG)	FWD	1364	103	140	04.13-12.19	*	
1.4 LPG (_76) (D 14 NET)	Gasol./Gas (LPG)	FWD	1364	103	140	04.13-12.19	*	
1.6 CDTI (_76) (B 16 DTN)	Diesel	FWD	1598	81	110	06.15-12.19	*	
1.6 CDTI (_76) (B 16 DTU)	Diesel	FWD	1598	81	110	06.15-12.19	*	
1.6 CDTI 4x4 (_76) (D 16 DTN)	Diesel	4WD	1598	81	110	03.18-12.19	*	
1.6 CDTI (_76) (A 16 DTH)	Diesel	FWD	1598	100	136	01.15-12.19	*	
1.6 CDTI (_76) (B 16 DTH)	Diesel	FWD	1598	100	136	01.15-12.19	*	
1.6 CDTI (_76) (D 16 DTH)	Diesel	FWD	1598	100	136	01.15-12.19	*	
1.6 CDTI 4x4 (_76) (B 16 DTH)	Diesel	4WD	1598	100	136	01.15-12.19	*	
1.6 CDTI 4x4 (_76) (D 16 DTH)	Diesel	4WD	1598	100	136	01.15-12.19	*	
1.7 CDTI (_76) (A 17 DTS)	Diesel	FWD	1686	96	131	06.12-12.19	*	
1.7 CDTI 4x4 (_76) (A 17 DTS)	Diesel	4WD	1686	96	131	06.12-12.19	*	

MOKKA / MOKKA X VAN (J13) 06.12-					Furgoneta/SUV (Mini SUV-J Segment)			
1.6 CDTi (76)	Diesel	FWD	1598	100	136	03.18-	*	

VAUXHALL

MOKKA / MOKKA X (J13) 06.12-					SUV (Mini SUV-J Segment)			
1.4 (A 14 NET)	Gasolina	FWD	1364	103	140	04.13-12.19	*	
1.4 (B 14 NET)	Gasolina	FWD	1364	103	140	04.13-12.19	*	
1.4 (D 14 NET)	Gasolina	FWD	1364	103	140	04.13-12.19	*	
1.4 4x4 (A 14 NET)	Gasolina	4WD	1364	103	140	06.12-12.19	*	
1.4 4x4 (B 14 NET)	Gasolina	4WD	1364	103	140	06.12-12.19	*	
1.4 4x4 (D 14 NET)	Gasolina	4WD	1364	103	140	06.12-12.19	*	
1.4 4x4 (B 14 XFT)	Gasolina	4WD	1399	112	152	06.16-12.19	*	
1.6 (A 16 XER)	Gasolina	FWD	1598	85	116	06.12-12.19	*	
1.6 (B 16 XER)	Gasolina	FWD	1598	85	116	06.12-12.19	*	
1.6 (D 16 XER)	Gasolina	FWD	1598	85	116	06.12-12.19	*	
1.6 CDTi (B 16 DTN)	Diesel	FWD	1598	81	110	06.15-12.19	*	
1.6 CDTi (B 16 DTU)	Diesel	FWD	1598	81	110	06.15-12.19	*	
1.6 CDTi (A 16 DTH)	Diesel	FWD	1598	100	136	01.15-12.19	*	
1.6 CDTi (B 16 DTH)	Diesel	FWD	1598	100	136	01.15-12.19	*	
1.6 CDTi (D 16 DTH)	Diesel	FWD	1598	100	136	01.15-12.19	*	
1.6 CDTi 4x4 (A 16 DTH)	Diesel	4WD	1598	100	136	01.15-12.19	*	
1.6 CDTi 4x4 (B 16 DTH)	Diesel	4WD	1598	100	136	01.15-12.19	*	
1.6 CDTi 4x4 (D 16 DTH)	Diesel	4WD	1598	100	136	01.15-12.19	*	

LISTA DE APLICACIONES - BUYERS GUIDE

1.7 CDTi (A 17 DTS)	Diesel	FWD	1686	96	131	06.12-12.19	*
1.7 CDTi 4x4 (A 17 DTS)	Diesel	4WD	1686	96	131	06.12-12.19	*