

LISTA DE APLICACIONES - BUYERS GUIDE

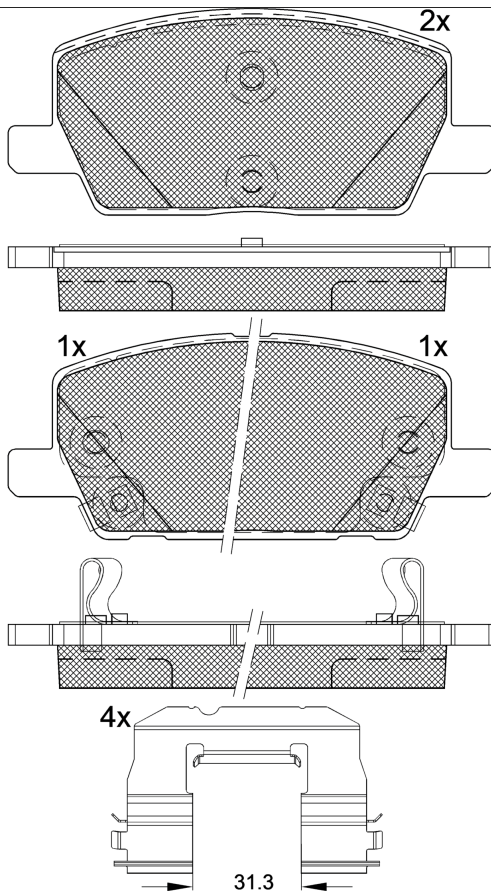
RB2355



Qty: 300

Weight: 1.960

O.E.M.	MAKE
1684934480	VAUXHALL
2314 5357	BUICK (SGM)
2332 1903	BUICK (SGM)
42 566 753	VAUXHALL
4256 6748	CHEVROLET (SGM)
4256 6753	CHEVROLET
4267 2635	BUICK (SGM)
84 856 629	VAUXHALL



RB2355

90R-02A0111/5210



Mando

140.7x59.6x19.1

WVA	FMSI
22311	D2019-9144
22312	
22313	

Sin Filas



Trac.	CC	Kw	CV
-------	----	----	----



Front / Rear

BUICK

ENCORE GX SUV (4T_) 09.19-

SUV (Mini SUV-J Segment)

1.2 (LIH)	Gasolina	FWD	1199	102	139	09.19-	*
1.2 AWD (L3T)	Gasolina	4WD	1341	116	158	09.19-	*
1.3 (L3T)	Gasolina	FWD	1341	116	158	09.19-	*

BUICK (SGM)

ENCORE II (SM3) 07.19-

Closed SUV (Mini SUV-J Segment)

15T	Gasolina	FWD	999	92	125	07.19-	*
20 AWD	Gasolina	4WD	1341	121	165	07.19-	*
20t	Gasolina	FWD	1341	121	165	07.19-	*
20t	Gasolina	FWD	1341	121	165	07.19-	*

ENVISION (CP4) 10.14-

Closed SUV (Compact SUV-J Segment)

20T 1.5	Gasolina	FWD	1490	124	169	04.15-	*
20T 1.5 4WD	Gasolina	4WD	1490	124	169	04.15-	*
2.0 Alas 4 ruedas	Gasolina	FWD	1998	191	260	10.14-	*

CHEVROLET

TRAX / TRACKER 12.12-

SUV (Mini SUV-J Segment)

1.4 (LUJ)	Gasolina	FWD	1364	103	140	12.12-	*
1.4 AWD (LUJ)	Gasolina	4WD	1364	103	140	12.12-	*
1.6 (LDE)	Gasolina	FWD	1598	85	116	12.12-	*
1.8 (2H0)	Gasolina	FWD	1796	103	140	03.13-	*
1.8 AWD (2H0)	Gasolina	4WD	1796	103	140	03.13-	*

CHEVROLET (SGM)

LISTA DE APLICACIONES - BUYERS GUIDE

TRAX (SJ3) 04.14-					SUV (Mini SUV-J Segment)			
1.4 T	Gasolina	FWD	1372	105	143	11.16-	*	
1.4 T AWD	Gasolina	FWD	1372	105	143	11.16-	*	
OPEL								
INSIGNIA B Grand Sport (Z18) 03.17-					[CAMBIADO]:Fastback (Executive car-E Segment)			
2.0 Turbo	Gasolina	FWD	1998	125	170	08.20-	*	
2.0 (68)	Gasolina	FWD	1998	147	200	04.20-	*	
2.0 CDTi	Diesel	FWD	1995	128	174	04.21-	*	
2.0 CDTi 4x4	Diesel	4WD	1995	128	174	04.21-	*	
INSIGNIA B Sports Tourer (Z18) 03.17-					[CAMBIADO]:Break (Executive car-E Segment)			
2.0 (35)	Gasolina	FWD	1998	125	170	11.20-	*	
2.0 (35)	Gasolina	FWD	1998	147	200	04.20-	*	
2.0 CDTi (35)	Diesel	FWD	1995	128	174	04.20-	*	
2.0 CDTi 4x4 (35)	Diesel	4WD	1995	128	174	11.20-	*	
MOKKA / MOKKA X (J13) 06.12-					SUV (Mini SUV-J Segment)			
1.4 (_76) (D 14 NEL)	Gasolina	FWD	1364	88	120	06.18-12.19	*	
1.4 (_76) (A 14 NET)	Gasolina	FWD	1364	103	140	04.13-12.19	*	
1.4 (_76) (B 14 NET)	Gasolina	FWD	1364	103	140	04.13-12.19	*	
1.4 (_76) (D 14 NET)	Gasolina	FWD	1364	103	140	04.13-12.19	*	
1.4 4x4 (_76) (A 14 NET)	Gasolina	4WD	1364	103	140	06.12-12.19	*	
1.4 4x4 (_76) (B 14 NET)	Gasolina	4WD	1364	103	140	06.12-12.19	*	
1.4 4x4 (_76) (D 14 NET)	Gasolina	4WD	1364	103	140	06.12-12.19	*	
1.4 4x4 (_76) (B 14 XFT)	Gasolina	4WD	1399	112	152	06.16-12.19	*	
1.6 (_76) (A 16 XER)	Gasolina	FWD	1598	85	116	06.12-12.19	*	
1.6 (_76) (B 16 XER)	Gasolina	FWD	1598	85	116	06.12-12.19	*	
1.6 (_76) (D 16 XER)	Gasolina	FWD	1598	85	116	06.12-12.19	*	
1.8 (_76) (A 18 XER)	Gasolina	FWD	1796	103	140	01.13-12.19	*	
1.8 4x4 (_76) (A 18 XER)	Gasolina	4WD	1796	103	140	01.13-12.19	*	
1.4 LPG (_76) (A 14 NET)	Gasol./Gas (LPG)	FWD	1364	103	140	04.13-12.19	*	
1.4 LPG (_76) (B 14 NET)	Gasol./Gas (LPG)	FWD	1364	103	140	04.13-12.19	*	
1.4 LPG (_76) (D 14 NET)	Gasol./Gas (LPG)	FWD	1364	103	140	04.13-12.19	*	
1.6 CDTi (_76) (B 16 DTN)	Diesel	FWD	1598	81	110	06.15-12.19	*	
1.6 CDTi (_76) (B 16 DTU)	Diesel	FWD	1598	81	110	06.15-12.19	*	
1.6 CDTi 4x4 (_76) (D 16 DTN)	Diesel	4WD	1598	81	110	03.18-12.19	*	
1.6 CDTi (_76) (A 16 DTH)	Diesel	FWD	1598	100	136	01.15-12.19	*	
1.6 CDTi (_76) (B 16 DTH)	Diesel	FWD	1598	100	136	01.15-12.19	*	
1.6 CDTi (_76) (D 16 DTH)	Diesel	FWD	1598	100	136	01.15-12.19	*	
1.6 CDTi 4x4 (_76) (B 16 DTH)	Diesel	4WD	1598	100	136	01.15-12.19	*	
1.6 CDTi 4x4 (_76) (D 16 DTH)	Diesel	4WD	1598	100	136	01.15-12.19	*	
1.7 CDTi (_76) (A 17 DTS)	Diesel	FWD	1686	96	131	06.12-12.19	*	
1.7 CDTi 4x4 (_76) (A 17 DTS)	Diesel	4WD	1686	96	131	06.12-12.19	*	
MOKKA / MOKKA X VAN (J13) 06.12-					Furgoneta/SUV (Mini SUV-J Segment)			
1.6 CDTi (76)	Diesel	FWD	1598	100	136	03.18-	*	
VAUXHALL								
INSIGNIA Mk II (B) (Z18) 03.17-					[CAMBIADO]:Fastback (Executive car-E Segment)			
2.0 T	Gasolina	FWD	1998	147	200	04.20-	*	
1.5 CDTi (F 15 DVH)	Diesel	FWD	1496	90	122	02.20-	*	

LISTA DE APLICACIONES - BUYERS GUIDE

2.0 D (68)	Diesel	FWD	1995	128	174	02.20-	*
MOKKA / MOKKA X (J13) 06.12-				SUV (Mini SUV-J Segment)			
1.4 (A 14 NET)	Gasolina	FWD	1364	103	140	04.13-12.19	*
1.4 (B 14 NET)	Gasolina	FWD	1364	103	140	04.13-12.19	*
1.4 (D 14 NET)	Gasolina	FWD	1364	103	140	04.13-12.19	*
1.4 4x4 (A 14 NET)	Gasolina	4WD	1364	103	140	06.12-12.19	*
1.4 4x4 (B 14 NET)	Gasolina	4WD	1364	103	140	06.12-12.19	*
1.4 4x4 (D 14 NET)	Gasolina	4WD	1364	103	140	06.12-12.19	*
1.4 4x4 (B 14 XFT)	Gasolina	4WD	1399	112	152	06.16-12.19	*
1.6 (A 16 XER)	Gasolina	FWD	1598	85	116	06.12-12.19	*
1.6 (B 16 XER)	Gasolina	FWD	1598	85	116	06.12-12.19	*
1.6 (D 16 XER)	Gasolina	FWD	1598	85	116	06.12-12.19	*
1.6 CDTi (B 16 DTN)	Diesel	FWD	1598	81	110	06.15-12.19	*
1.6 CDTi (B 16 DTU)	Diesel	FWD	1598	81	110	06.15-12.19	*
1.6 CDTi (A 16 DTH)	Diesel	FWD	1598	100	136	01.15-12.19	*
1.6 CDTi (B 16 DTH)	Diesel	FWD	1598	100	136	01.15-12.19	*
1.6 CDTi (D 16 DTH)	Diesel	FWD	1598	100	136	01.15-12.19	*
1.6 CDTi 4x4 (A 16 DTH)	Diesel	4WD	1598	100	136	01.15-12.19	*
1.6 CDTi 4x4 (B 16 DTH)	Diesel	4WD	1598	100	136	01.15-12.19	*
1.6 CDTi 4x4 (D 16 DTH)	Diesel	4WD	1598	100	136	01.15-12.19	*
1.7 CDTi (A 17 DTS)	Diesel	FWD	1686	96	131	06.12-12.19	*
1.7 CDTi 4x4 (A 17 DTS)	Diesel	4WD	1686	96	131	06.12-12.19	*