

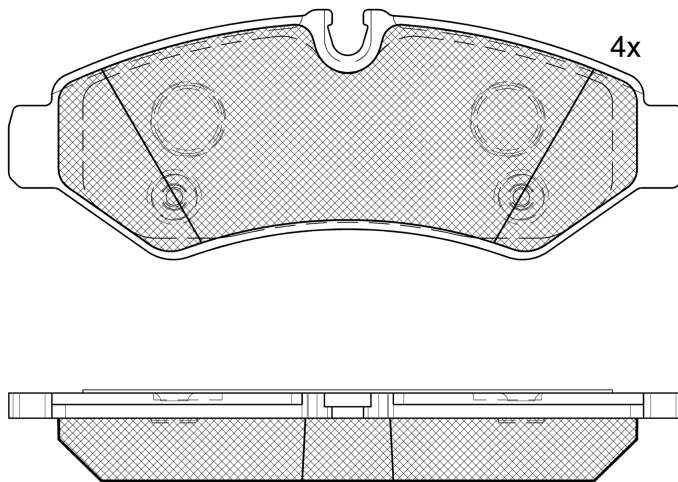
LISTA DE APLICACIONES - BUYERS GUIDE

RB2350_1



Qty: 300 Weight: 1.670

O.E.M.	MAKE
907 420 81 01	MERCEDES-BENZ
907 420 86 00	MERCEDES-BENZ
910 420 36 00	MERCEDES-BENZ
910 420 37 00	MERCEDES-BENZ
910 420 73 00	MERCEDES-BENZ
910 423 14 01	MERCEDES-BENZ
910 423 56 00	MERCEDES-BENZ
9104204000	MERCEDES-BENZ
9104207600	MERCEDES-BENZ
A 910 423 56 00	MERCEDES-BENZ



RB2350_1

E 9 90R-02A0111/5414



Brembo

148.6x54.8x19.9

WVA 20747	FMSI D2201-9442
---------------------	---------------------------

Sin Filas



Trac.	CC	Kw	CV		Front / Rear
-------	----	----	----	--	--------------

MERCEDES-BENZ

SPRINTER III 3-Ton. (B910) 02.18-						[CAMBIADO]:Furgón (LCVs-N1 Segment)			
211 CDI (910.621, 910.623)	Diesel	FWD	1950	84	114	10.21-05.25	*		
215 CDI (910.621, 910.623)	Diesel	FWD	1950	110	150	10.21-05.25	*		
211 CDI (910.621, 910.623) (OM 651.950)	Diesel	FWD	2143	84	114	02.18-12.21	*		
211 CDI (910.621, 910.623) (OM 651.958)	Diesel	FWD	2143	84	114	02.18-12.21	*		
214 CDI (910.621, 910.623) (OM 651.950)	Diesel	FWD	2143	105	143	02.18-12.21	*		
214 CDI (910.621, 910.623) (OM 651.958)	Diesel	FWD	2143	105	143	02.18-12.21	*		
SPRINTER III 3-Ton. (B910, B907) 02.18-						Caja/Chasis (LCVs-N1 Segment)			
211 CDI (910.121, 910.123)	Diesel	FWD	1950	84	114	10.21-	*		
211 CDI RWD (907.221, 907.223, 907.123) (OM 654.920)	Diesel	RWD	1950	84	114	06.20-	*		
215 CDI (910.121, 910.123)	Diesel	FWD	1950	110	150	10.21-	*		
215 CDI RWD (907.221, 907.223) (OM 654.920)	Diesel	RWD	1950	110	150	06.20-	*		
217 CDI RWD (907.221, 907.223) (OM 654.920)	Diesel	RWD	1950	125	170	06.20-	*		
211 CDI (910.121, 910.123) (OM 651.950)	Diesel	FWD	2143	84	114	02.18-12.21	*		
211 CDI RWD (907.221, 907.223, 907.123) (OM 651.958)	Diesel	RWD	2143	84	114	02.18-12.21	*		
214 CDI (910.121, 910.123) (OM 651.950)	Diesel	FWD	2143	105	143	02.18-12.21	*		
214 CDI (910.121, 910.123) (OM 651.958)	Diesel	FWD	2143	105	143	02.18-12.21	*		
214 CDI RWD (907.221, 907.223) (OM 651.958)	Diesel	RWD	2143	105	143	02.18-12.21	*		
216 CDI RWD (907.221, 907.223) (OM 651.958)	Diesel	RWD	2143	120	163	02.18-12.21	*		
SPRINTER III 3-Ton. Tourer (B907) 02.18-						Bus (Minibus-M2-Segment)			
211 CDI (907.721, 907.723)	Diesel	RWD	1950	84	114	10.21-	*		
215 CDI (907.721, 907.723)	Diesel	RWD	1950	110	150	10.21-	*		

LISTA DE APLICACIONES - BUYERS GUIDE

217 CDI (907.721, 907.723)		Diesel	RWD	1950	125	170	10.21-	*	
211 CDI (907.721, 907.723)		Diesel	RWD	2143	84	114	02.18-12.21	*	
214 CDi (907.721, 907.723)		Diesel	RWD	2143	105	143	02.18-12.21	*	
216 CDi (907.721, 907.723)		Diesel	RWD	2143	120	163	02.18-12.21	*	
SPRINTER III 3,5-Ton. (B907, B910) 02.18-							[CAMBIADO]:Furgón (LCVs-N1 Segment)		
eSPRINTER 312 (910.633) (EM 780.703)		Eléctrico	FWD		85	116	02.20-12.23	*	
eSPRINTER 314 RWD (907.633, 907.635) (780.681)		Eléctrico	RWD		100	136	11.23-	*	
eSPRINTER 320 RWD (907.633, 907.635)		Eléctrico	RWD		150	204	11.23-	*	
311 CDI (910.631, 910.633)		Diesel	FWD	1950	84	114	10.21-05.25	*	
311 CDI RWD (907.631, 907.633, 907.635, 907.637) (OM 654.920)		Diesel	RWD	1950	84	114	06.20-	*	
315 CDI (910.631, 910.633)		Diesel	FWD	1950	110	150	10.21-05.25	*	
315 CDI RWD (907.631, 907.633, 907.635, 907.637) (OM 654.920)		Diesel	RWD	1950	110	150	06.20-	*	
317 CDI (910.633)		Diesel	FWD	1950	125	170	03.22-05.25	*	
317 CDI RWD (907.631, 907.633, 907.635, 907.637) (OM 654.920)		Diesel	RWD	1950	125	170	06.20-	*	
319 CDI A las 4 ruedas (907.733)		Diesel	4WD	1950	140	190	10.21-	*	
319 CDI RWD (907.633, 907.635, 907.637)		Diesel	RWD	1950	140	190	10.21-	*	
311 CDI (910.631, 910.633) (OM 651.950)		Diesel	FWD	2143	84	114	02.18-12.21	*	
311 CDI (910.631, 910.633) (OM 651.958)		Diesel	FWD	2143	84	114	02.18-12.21	*	
311 CDI RWD (907.633, 907.635, 907.631, 907.637) (OM 651.958)		Diesel	RWD	2143	84	114	02.18-12.21	*	
314 CDI (910.631, 910.633) (OM 651.950)		Diesel	FWD	2143	105	143	02.18-12.21	*	
314 CDI (910.631, 910.633) (OM 651.958)		Diesel	FWD	2143	105	143	02.18-12.21	*	
314 CDI A las 4 ruedas (907.733) (OM 651.958)		Diesel	4WD	2143	105	143	01.19-12.21	*	
314 CDI RWD (907.631, 907.633, 907.635, 907.637) (OM 651.958)		Diesel	RWD	2143	105	143	02.18-12.21	*	
316 CDI A las 4 ruedas (907.733) (OM 651.958)		Diesel	4WD	2143	120	163	01.19-12.21	*	
316 CDI RWD (907.631, 907.633, 907.635, 907.637) (OM 651.958)		Diesel	RWD	2143	120	163	02.18-12.21	*	
319 CDI A las 4 ruedas (907.733) (OM 642.899)		Diesel	4WD	2987	140	190	01.19-12.21	*	
319 CDI RWD (907.633, 907.635, 907.637) (OM 642.899)		Diesel	RWD	2987	140	190	02.18-12.21	*	
SPRINTER III 3,5-Ton. (B907, B910) 02.18-							Caja/Chasis (LCVs-N1 Segment)		
eSPRINTER 314 RWD (907.633, 907.635)		Eléctrico	RWD		100	136	08.24-	*	
eSPRINTER 320 RWD (907.633, 907.635)		Eléctrico	RWD		150	204	08.24-	*	
311 CDI (910.131, 910.133)		Diesel	FWD	1950	84	114	10.21-	*	
311 CDI RWD (907.131, 907.133, 907.135, 907.231, 907.233... (OM 654.920)		Diesel	RWD	1950	84	114	06.20-	*	
315 CDI (910.030)		Diesel	FWD	1950	110	150	06.20-	*	
315 CDI (910.131, 910.133)		Diesel	FWD	1950	110	150	10.21-	*	
315 CDI RWD (907.131, 907.133, 907.135, 907.231, 907.233... (OM 654.920)		Diesel	RWD	1950	110	150	06.20-	*	
317 CDI (910.030)		Diesel	FWD	1950	125	170	06.20-	*	
317 CDI (910.133) (OM 654.920)		Diesel	FWD	1950	125	170	02.24-	*	
317 CDI RWD (907.131, 907.133, 907.135, 907.231, 907.233... (OM 654.920)		Diesel	RWD	1950	125	170	06.20-	*	
319 CDI A las 4 ruedas (907.733)		Diesel	4WD	1950	140	190	10.21-	*	
319 CDI RWD (907.133, 907.135, 907.233, 907.235)		Diesel	RWD	1950	140	190	10.21-	*	
311 CDI (910.131, 910.133) (OM 651.950)		Diesel	FWD	2143	84	114	02.18-12.21	*	
311 CDI (910.131, 910.133) (OM 651.958)		Diesel	FWD	2143	84	114	02.18-12.21	*	
311 CDI RWD (907.131, 907.133, 907.135, 907.231, 907.233... (OM 651.958)		Diesel	RWD	2143	84	114	02.18-12.21	*	
314 CDI (910.131, 910.133, 910.030) (OM 651.950)		Diesel	FWD	2143	105	143	02.18-12.21	*	
314 CDI (910.131, 910.133, 910.030) (OM 651.958)		Diesel	FWD	2143	105	143	02.18-12.21	*	

LISTA DE APLICACIONES - BUYERS GUIDE

314 CDI A las 4 ruedas (907.733) (OM 651.958)	Diesel	4WD	2143	105	143	01.19-12.21	*
314 CDI RWD (907.131,907.133,907.135) (OM 651.958)	Diesel	RWD	2143	105	143	02.18-12.21	*
316 CDI A las 4 ruedas (907.733) (OM 651.958)	Diesel	4WD	2143	120	163	01.19-12.21	*
316 CDI RWD (907.131, 907.133, 907.135, 907.231, 907.233... (OM 651.958)	Diesel	RWD	2143	120	163	02.18-12.21	*
317 CDI (910.030)	Diesel	FWD	2143	125	170	02.18-12.21	*
318 CDI (910.030)	Diesel	FWD	2143	130	177	02.18-12.21	*
319 CDI A las 4 ruedas (907.733) (OM 642.899)	Diesel	4WD	2987	140	190	01.19-12.21	*
319 CDI RWD (907.133, 907.135, 907.233, 907.235) (OM 642.899)	Diesel	RWD	2987	140	190	02.18-12.21	*
SPRINTER III 3,5-Ton. Tourer (B907) 02.18-				Bus (Minibus-M2-Segment)			
311 CDI (907.731, 907.733, 907.735)	Diesel	RWD	1950	84	114	10.21-	*
315 CDI (907.731, 907.733, 907.735)	Diesel	RWD	1950	110	150	10.21-	*
317 CDI (907.731, 907.733, 907.735)	Diesel	RWD	1950	125	170	10.21-	*
319 CDI (907.733, 907.735)	Diesel	RWD	1950	140	190	10.21-	*
319 CDI A las 4 ruedas (907.733)	Diesel	4WD	1950	140	190	10.21-	*
311 CDI (907.731, 907.733, 907.735) (OM 651.958)	Diesel	RWD	2143	84	114	02.18-12.21	*
314 CDI (907.731, 907.733, 907.735) (OM 651.958)	Diesel	RWD	2143	105	143	02.18-12.21	*
314 CDI A las 4 ruedas (907.733) (OM 651.958)	Diesel	4WD	2143	105	143	01.19-12.21	*
316 CDI (907.731, 907.733, 907.735) (OM 651.958)	Diesel	RWD	2143	120	163	02.18-12.21	*
316 CDI A las 4 ruedas (907.733) (OM 651.958)	Diesel	4WD	2143	120	163	01.19-12.21	*
319 CDI (907.733, 907.735) (OM 642.899)	Diesel	RWD	2987	140	190	02.18-12.21	*
319 CDI A las 4 ruedas (907.733) (OM 642.899)	Diesel	4WD	2987	140	190	01.19-12.21	*
SPRINTER III 4-Ton. (B907, B910) 02.18-				[CAMBIADO]:Furgón (LCVs-N1 Segment)			
eSPRINTER 414 RWD (907.643, 907.645)	Eléctrico	RWD		100	136	11.23-	*
eSPRINTER 420 RWD (907.643, 907.645)	Eléctrico	RWD		150	204	11.23-	*
411 CDI RWD (907.641, 907.643, 907.645, 907.647)	Diesel	RWD	1950	84	114	10.21-	*
415 CDI (910.641, 910.643)	Diesel	FWD	1950	110	150	10.21-05.25	*
415 CDI RWD (907.641, 907.643, 907.645, 907.647)	Diesel	RWD	1950	110	150	10.21-	*
417 CDI RWD (907.641, 907.643, 907.645, 907.647) (OM 654.920)	Diesel	RWD	1950	125	170	06.20-	*
419 CDI A las 4 ruedas (907.643, 907.645, 907.647)	Diesel	4WD	1950	140	190	10.21-	*
419 CDI RWD (907.643, 907.645, 907.647)	Diesel	RWD	1950	140	190	10.21-	*
411 CDI (910.641, 910.643) (OM 651.950)	Diesel	FWD	2143	84	114	02.18-12.21	*
411 CDI (910.641, 910.643) (OM 651.958)	Diesel	FWD	2143	84	114	02.18-12.21	*
411 CDI RWD (907.643, 907.645) (OM 651.958)	Diesel	RWD	2143	84	114	02.18-12.21	*
414 CDI (910.643, 910.641) (OM 651.958)	Diesel	FWD	2143	105	143	02.18-12.21	*
414 CDI A las 4 ruedas (907.643, 907.645, 907.647) (OM 651.958)	Diesel	4WD	2143	105	143	01.19-12.21	*
414 CDI RWD (907.643, 907.645, 907.647) (OM 651.958)	Diesel	RWD	2143	105	143	02.18-12.21	*
416 CDI A las 4 ruedas (907.643, 907.645, 907.647) (OM 651.958)	Diesel	4WD	2143	120	163	01.19-12.21	*
416 CDI RWD (907.643, 907.645, 907.647) (OM 651.958)	Diesel	RWD	2143	120	163	02.18-12.21	*
419 CDI A las 4 ruedas (907.643, 907.645, 907.647) (OM 642.899)	Diesel	4WD	2987	140	190	01.19-12.21	*
419 CDI RWD (907.643, 907.645, 907.647) (OM 642.899)	Diesel	RWD	2987	140	190	02.18-12.21	*
SPRINTER III 4-Ton. (B907, B910) 02.18-				Caja/Chasis (LCVs-N1 Segment)			
eSPRINTER 414 RWD (907.643, 907.645)	Eléctrico	RWD		100	136	08.24-	*
eSPRINTER 420 RWD (907.643, 907.645)	Eléctrico	RWD		150	204	08.24-	*
411 CDI RWD (907.141, 907.143, 907.145, 907.241, 907.243...)	Diesel	RWD	1950	84	114	10.21-	*
415 CDI (910.040)	Diesel	FWD	1950	110	150	06.20-	*

LISTA DE APLICACIONES - BUYERS GUIDE

415 CDI (910.141, 910.143)	Diesel	FWD	1950	110	150	10.21-	*
415 CDI RWD (907.141, 907.143, 907.145, 907.241, 907.243...)	Diesel	RWD	1950	110	150	10.21-	*
417 CDI (910.040)	Diesel	FWD	1950	125	170	06.20-	*
417 CDI (910.143)	Diesel	FWD	1950	125	170	02.24-	*
417 CDI RWD (907.141, 907.143, 907.145, 907.241, 907.243...)	Diesel	RWD	1950	125	170	10.21-	*
419 CDI A las 4 ruedas (907.643, 907.645, 907.647)	Diesel	4WD	1950	140	190	10.21-	*
419 CDI RWD (907.143, 907.145, 907.243, 907.245)	Diesel	RWD	1950	140	190	10.21-	*
411 CDI (910.143, 910.141)	Diesel	FWD	2143	84	114	02.18-12.21	*
411 CDI RWD (907.141, 907.143, 907.145, 907.241, 907.243... (OM 651.958)	Diesel	RWD	2143	84	114	02.18-12.21	*
414 CDI (910.141, 910.143, 910.040) (OM 651.950)	Diesel	FWD	2143	105	143	02.18-12.21	*
414 CDI (910.141, 910.143, 910.040) (OM 651.958)	Diesel	FWD	2143	105	143	02.18-12.21	*
414 CDI A las 4 ruedas (907.643, 907.645, 907.647) (OM 651.958)	Diesel	4WD	2143	105	143	01.19-12.21	*
414 CDI RWD (907.143, 907.145, 907.243, 907.245, 907.141... (OM 651.958)	Diesel	RWD	2143	105	143	02.18-12.21	*
416 CDI A las 4 ruedas (907.643, 907.645, 907.647) (OM 651.958)	Diesel	4WD	2143	120	163	01.19-12.21	*
416 CDI RWD (907.143, 907.145, 907.243, 907.141, 907.241... (OM 651.958)	Diesel	RWD	2143	120	163	02.18-12.21	*
417 CDI (910.040)	Diesel	FWD	2143	125	170	02.18-12.21	*
418 CDI (910.040)	Diesel	FWD	2143	130	177	02.18-12.21	*
419 CDI A las 4 ruedas (907.643, 907.645, 907.647) (OM 642.899)	Diesel	4WD	2987	140	190	01.19-12.21	*
419 CDI RWD (907.143, 907.145, 907.243, 907.245) (OM 642.899)	Diesel	RWD	2987	140	190	02.18-12.21	*
SPRINTER III 4-Ton. Tourer (B907) 02.18-				Bus (Minibus-M2-Segment)			
417 CDI (907.743, 907.745, 907.843, 907.741) (OM 654.920)	Diesel	RWD	1950	125	170	01.22-	*
411 CDI (907.741, 907.743, 907.745)	Diesel	RWD	2143	84	114	02.18-12.21	*
414 CDI (907.741, 907.743, 907.745)	Diesel	RWD	2143	105	143	09.19-12.21	*
416 CDI (907.843, 907.743, 907.745)	Diesel	RWD	2143	120	163	04.19-12.21	*
419 CDI (907.743, 907.745)	Diesel	RWD	2987	140	190	02.18-12.21	*
SPRINTER III 5-Ton. (B907) 02.18-				[CAMBIADO]:Furgón (LCVs-N1 Segment)			
515 CDI (907.653, 907.655, 907.657)	Diesel	RWD	1950	110	150	10.21-	*
517 CDI (907.653, 907.655, 907.657)	Diesel	RWD	1950	125	170	06.20-	*
519 CDI (907.653, 907.655, 907.657)	Diesel	RWD	1950	140	190	10.21-	*
519 CDI A las 4 ruedas (907.653, 907.655, 907.657)	Diesel	4WD	1950	140	190	10.21-	*
511 CDI (907.653, 907.655, 907.657) (OM 651.958)	Diesel	RWD	2143	84	114	02.18-12.21	*
514 CDI (907.653, 907.655, 907.657) (OM 651.958)	Diesel	RWD	2143	105	143	02.18-12.21	*
516 CDI (907.653, 907.655, 907.657) (OM 651.958)	Diesel	RWD	2143	120	163	02.18-12.21	*
516 CDI A las 4 ruedas (907.653, 907.655, 907.657) (OM 651.958)	Diesel	4WD	2143	120	163	01.19-12.21	*
519 CDI (907.653, 907.655, 907.657) (OM 642.899)	Diesel	RWD	2987	140	190	02.18-12.21	*
519 CDI A las 4 ruedas (907.653, 907.655, 907.657) (OM 642.899)	Diesel	4WD	2987	140	190	01.19-12.21	*
SPRINTER III 5-Ton. (B907) 02.18-				Caja/Chasis (LCVs-N1 Segment)			
515 CDI RWD (907.153, 907.155, 907.253, 907.255)	Diesel	RWD	1950	110	150	10.21-	*
517 CDI RWD (907.153, 907.155, 907.253, 907.255)	Diesel	RWD	1950	125	170	01.22-	*
519 CDI A las 4 ruedas (907.653, 907.655, 907.657)	Diesel	4WD	1950	140	190	10.21-	*
519 CDI RWD (907.153, 907.155, 907.253, 907.255)	Diesel	RWD	1950	140	190	10.21-	*
511 CDI (907.153, 907.155, 907.253, 907.255) (OM 651.958)	Diesel	RWD	2143	84	114	02.18-12.21	*
514 CDI (907.153, 907.155, 907.253, 907.255) (OM 651.958)	Diesel	RWD	2143	105	143	02.18-12.21	*

LISTA DE APLICACIONES - BUYERS GUIDE

516 CDI (907.153, 907.155, 907.253, 907.255) (OM 651.958)	Diesel	RWD	2143	120	163	02.18-12.21	*
516 CDI A las 4 ruedas (907.653, 907.655, 907.657) (OM 651.958)	Diesel	4WD	2143	120	163	01.19-12.21	*
519 CDI (907.153, 907.155, 907.253, 907.255) (OM 642.899)	Diesel	RWD	2987	140	190	02.18-12.21	*
519 CDI A las 4 ruedas (907.653, 907.655, 907.657) (OM 642.899)	Diesel	4WD	2987	140	190	01.19-12.21	*