

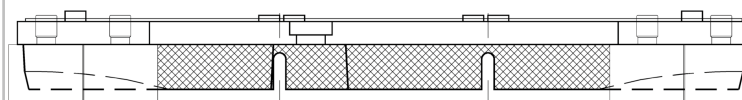
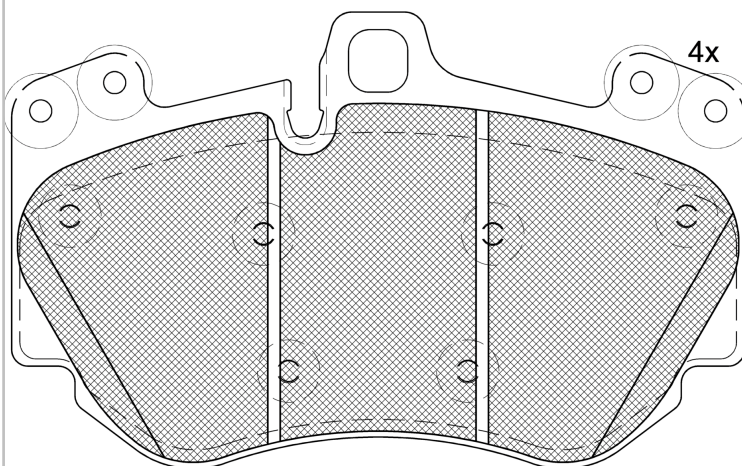
LISTA DE APLICACIONES - BUYERS GUIDE

RB2349-208



Qty: 300 Weight: 4.370

O.E.M.	MAKE
955 351 939 50	PORSCHE
955 351 939 51	PORSCHE
955 351 939 52	PORSCHE



RB2349-208

E 9 90R-02A0111/1213



Brembo

180x109.6x17

WVA	FMSI
23961	D1130-8241

Sin Filas



Trac.	CC	Kw	CV	Hourglass icon	Front / Rear
-------	----	----	----	----------------	--------------

LAMBORGHINI

Model Name						Segment			
HURACÁN 05.14-						Coupé (Sports car-S Segment)			
5.2 LP 610-2 (BUJ)	Gasolina	RWD	5204	449	610	01.20-	*		
HURACÁN EVO 01.19-						Coupé (Sports car-S Segment)			
5.2 LP 640-4 A las 4 ruedas (BUJ)	Gasolina	4WD	5204	470	640	01.19-	*		
HURACÁN EVO SPYDER 02.19-						Targa (Sports car-S Segment)			
5.2 LP 640-4 (BUJ)	Gasolina	4WD	5204	470	640	02.19-	*		

PORSCHE

Model Name						Segment			
CAYENNE I (9PA) 05.02-12.10						SUV (Luxury Crossover SUV-J Segment)			
3.2 (M02.2Y)	Gasolina	4WD	3189	184	250	10.03-09.07	*		
3.6 (M 55.01)	Gasolina	4WD	3598	213	290	02.07-09.10	*		
S 4.5 (M 48.00)	Gasolina	4WD	4511	250	340	09.02-09.07	*		
Turbo 4.5 (M 48.50)	Gasolina	4WD	4511	331	450	09.02-09.07	*		
Turbo S 4.5 (M 48.50S)	Gasolina	4WD	4511	368	500	01.04-09.07	*		
Turbo S 4.5 (M 48.50T)	Gasolina	4WD	4511	383	521	05.02-05.06	*		
S 4.8 (M 48.01)	Gasolina	4WD	4806	283	385	02.07-09.10	*		
GTS 4.8 (M 48.01)	Gasolina	4WD	4806	298	405	10.07-09.10	*		
Turbo S 4.8 (M 48.51)	Gasolina	4WD	4806	368	500	02.07-09.10	*		
Turbo S 4.8 (M 48.51)	Gasolina	4WD	4806	397	540	02.07-09.10	*		
Turbo S 4.8 (M 48.51)	Gasolina	4WD	4806	404	550	08.08-09.10	*		
3.0 TDI (M 05.9D)	Diesel	4WD	2967	176	240	02.09-09.10	*		