

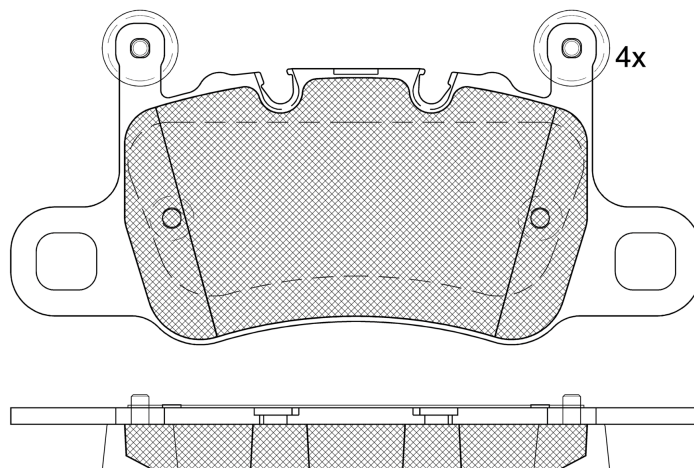
# LISTA DE APLICACIONES - BUYERS GUIDE

## RB2348-208



Qty: 300      Weight: 2.685

O.E.M.	MAKE
971 698 451 B	BENTLEY
971 698 451 E	PORSCHE
971 698 451 J	PORSCHE
971 698 451 N	PORSCHE
981 352 948 80	PORSCHE
981 352 949 80	PORSCHE
991 352 946 01	PORSCHE
991 352 947 01	PORSCHE
991 352 947 05	PORSCHE
991 352 948 82	PORSCHE
991 352 948 83	PORSCHE
991 352 949 80	PORSCHE
991 352 949 81	PORSCHE
992 698 093 E	PORSCHE
992698451L	PORSCHE
9GT 698 451 G	PORSCHE
9GT 698 451 P	PORSCHE
9Y0 698 451 D	PORSCHE
9Y0698451AA	PORSCHE
9Y0698451N	PORSCHE



## RB2348-208

90R-02A0111/5431



Brembo

187.5x90.8x17.9

WVA	FMSI
22177	D1740-8963
25512	D2046-9276
	D2046-9696

Sin Filas



Trac.	CC	Kw	CV
-------	----	----	----



Front / Rear

### BENTLEY

CONTINENTAL V (3S_) 12.18-						Cabrió (Luxury car-F Segment)			
6.0 AWD (DDBD)	Gasolina	4WD	5950	467	635	12.18-	*		
CONTINENTAL V (3S3) 09.17-						Coupé (Luxury car-F Segment)			
6.0 W12 AWD (DDBD)	Gasolina	4WD	5950	467	635	09.17-	*		
FLYING SPUR II (ZG2_) 04.19-						Sedán (Luxury car-F Segment)			
6.0 W12 TSI 4WD (ZG21BB) (DDBD)	Gasolina	4WD	5950	467	635	04.19-	*		

### PORSCHE

718 BOXSTER Spyder (982) 07.19-						Cabrió (Sports car-S Segment)			
4.0 (982510, 982511) (DKDA)	Gasolina	RWD	3995	309	420	07.19-	*		
718 CAYMAN (982) 04.16-						Coupé (Sports car-S Segment)			
4.0 GT4 (982810, 982811) (DKDA)	Gasolina	RWD	3995	309	420	07.19-	*		
4.0 GT4 RS (982850, 982851)	Gasolina	RWD	3996	368	500	11.21-	*		
911 (991) 03.12-						Cabrió (Sports car-S Segment)			
3.0 Carrera (DCKA)	Gasolina	RWD	2981	272	370	11.15-12.19	*		
3.0 Carrera (MDC.KA)	Gasolina	RWD	2981	272	370	11.15-12.19	*		
3.0 Carrera 4 (DCKA)	Gasolina	4WD	2981	272	370	11.15-12.19	*		
3.0 Carrera 4 (MDC.KA)	Gasolina	4WD	2981	272	370	11.15-12.19	*		
3.0 Carrera 4S (DCHA)	Gasolina	4WD	2981	309	420	11.15-12.19	*		
3.0 Carrera 4S (MDC.HA)	Gasolina	4WD	2981	309	420	11.15-12.19	*		
3.0 Carrera S (DCHA)	Gasolina	RWD	2981	309	420	11.15-12.19	*		
3.0 Carrera S (MDC.HA)	Gasolina	RWD	2981	309	420	11.15-12.19	*		
3.0 Carrera 4 GTS (MDC.JA)	Gasolina	4WD	2981	331	450	03.17-12.19	*		

# LISTA DE APLICACIONES - BUYERS GUIDE

3.0 Carrera GTS (MDC.JA)	Gasolina	RWD	2981	331	450	03.17-12.19	*	
3.4 Carrera (MA1.04)	Gasolina	RWD	3436	257	350	03.12-12.19	*	
3.4 Carrera (MAB.04)	Gasolina	RWD	3436	257	350	03.12-12.19	*	
3.8 Turbo (992630)	Gasolina	4WD	3745	427	581	03.20-05.24	*	
3.8 Turbo S	Gasolina	4WD	3745	478	650	03.20-	*	
3.8 Turbo S (992650)	Gasolina	4WD	3745	478	650	03.20-05.24	*	
3.8 Carrera S (MA1.03)	Gasolina	RWD	3800	294	400	03.12-12.19	*	
3.8 Carrera S (MAB.03)	Gasolina	RWD	3800	294	400	03.12-12.19	*	
3.8 Turbo (MA1.71)	Gasolina	4WD	3800	383	520	12.13-05.20	*	
3.8 Turbo (MDA.BA)	Gasolina	4WD	3800	397	540	01.16-05.20	*	
3.8 Turbo S (MA1.71)	Gasolina	4WD	3800	412	560	12.13-05.20	*	
3.8 Turbo S (MDB.CA)	Gasolina	4WD	3800	427	580	01.16-05.20	*	
<b>911 (991) 05.11-12.20</b>					<b>Coupé (Sports car-S Segment)</b>			
3.0 Carrera (DCKA)	Gasolina	RWD	2981	272	370	11.15-12.19	*	
3.0 Carrera (MDC.KA)	Gasolina	RWD	2981	272	370	11.15-12.19	*	
3.0 Carrera 4 (DCKA)	Gasolina	4WD	2981	272	370	11.15-12.19	*	
3.0 Carrera 4 (MDC.KA)	Gasolina	4WD	2981	272	370	11.15-12.19	*	
3.0 Carrera T (DCKA)	Gasolina	RWD	2981	272	370	01.18-12.19	*	
3.0 Carrera T (MDC.KA)	Gasolina	RWD	2981	272	370	01.18-12.19	*	
3.0 Carrera 4S (DCHA)	Gasolina	4WD	2981	309	420	11.15-12.19	*	
3.0 Carrera 4S (MDC.HA)	Gasolina	4WD	2981	309	420	11.15-12.19	*	
3.0 Carrera S (DCHA)	Gasolina	RWD	2981	309	420	11.15-12.19	*	
3.0 Carrera S (MDC.HA)	Gasolina	RWD	2981	309	420	11.15-12.19	*	
3.0 Carrera 4 GTS (MDC.JA)	Gasolina	4WD	2981	331	450	03.17-12.19	*	
3.0 Carrera GTS (MDC.JA)	Gasolina	RWD	2981	331	450	03.17-12.19	*	
3.4 Carrera (MA1.04)	Gasolina	RWD	3436	257	350	12.11-12.19	*	
3.4 Carrera (MAB.04)	Gasolina	RWD	3436	257	350	12.11-12.19	*	
3.8 Sport Classic (992130)	Gasolina	RWD	3745	405	551	01.21-05.25	*	
3.8 Turbo (992430)	Gasolina	4WD	3745	427	581	03.20-05.25	*	
3.8 Turbo S (992450, 992470)	Gasolina	4WD	3745	478	650	03.20-05.25	*	
3.8 GT3 (MA1.75)	Gasolina	RWD	3799	350	475	08.13-05.17	*	
3.8 Turbo (MA1.71)	Gasolina	4WD	3800	383	520	09.13-05.20	*	
3.8 Turbo (MDA.BA)	Gasolina	4WD	3800	397	540	01.16-05.20	*	
3.8 Turbo S (MA1.71)	Gasolina	4WD	3800	412	560	09.13-05.20	*	
3.8 Turbo S (MDB.CA)	Gasolina	4WD	3800	427	580	01.16-05.20	*	
3.8 Turbo S (MDB.CA)	Gasolina	4WD	3800	446	607	06.17-05.20	*	
3.8 GT2 RS (MDH.NA)	Gasolina	RWD	3800	515	700	07.17-05.20	*	
4.0 GT3 (MA1.77)	Gasolina	RWD	3996	368	500	05.17-12.20	*	
4.0 GT3 (MDG.GA)	Gasolina	RWD	3996	368	500	05.17-12.20	*	
4.0 GT3 RS / R (MA1.76)	Gasolina	RWD	3996	368	500	04.15-12.20	*	
4.0 GT3 RS / R (MDG.GA)	Gasolina	RWD	3996	368	500	04.15-12.20	*	
GT3 (992810, 992812)	Gasolina	RWD	3996	375	510	05.21-	*	
4.0 GT3 RS (MA1.77)	Gasolina	RWD	3996	383	520	05.18-12.20	*	
4.0 GT3 RS (MDG.GB)	Gasolina	RWD	3996	383	520	05.18-12.20	*	
GT3 RS (992850)	Gasolina	RWD	3996	386	525	09.22-05.24	*	
S/T (992880)	Gasolina	RWD	3996	386	525	06.23-05.24	*	
<b>911 (991) 05.14-</b>					<b>Targa (Sports car-S Segment)</b>			
3.0 Carrera 4 (DCKA)	Gasolina	4WD	2981	272	370	11.15-12.19	*	
3.0 Carrera 4 (MDC.KA)	Gasolina	4WD	2981	272	370	11.15-12.19	*	
3.0 Carrera 4S (DCHA)	Gasolina	4WD	2981	309	420	11.15-12.19	*	
3.0 Carrera 4S (MDC.HA)	Gasolina	4WD	2981	309	420	11.15-12.19	*	

# LISTA DE APLICACIONES - BUYERS GUIDE

3.0 Carrera 4 GTS (MDC.JA)	Gasolina	4WD	2981	331	450	03.17-12.19	*
4S (992520) (DRVA)	Gasolina	4WD	2981	331	450	05.20-12.24	*
<b>911 Speedster (991) 06.18-</b>				<b>Cabrio (Sports car-S Segment)</b>			
4.0 (991890, 991891) (MA1.77)	Gasolina	RWD	3996	375	510	06.18-12.20	*
<b>CAYENNE III (9YA) 05.17-</b>				<b>SUV (Luxury Crossover SUV-J Segment)</b>			
2.9 S AWD (9YABB1) (DCAB)	Gasolina	4WD	2894	324	441	05.17-05.23	*
2.9 S AWD (9YABB1) (MDC.AB)	Gasolina	4WD	2894	324	441	05.17-05.23	*
2.9 S AWD (9YBBB1) (DCAB)	Gasolina	4WD	2894	324	440	01.19-	*
3.0 AWD (9YAAA1) (DCBE)	Gasolina	4WD	2995	250	340	05.17-05.23	*
3.0 AWD (9YAAA1) (MDC.BE)	Gasolina	4WD	2995	250	340	05.17-05.23	*
3.0 AWD (9YBAA1) (DCBE)	Gasolina	4WD	2995	250	340	01.19-	*
4.0 GTS	Gasolina	4WD	3996	338	460	06.20-	*
4.0 GTS (9YABG1)	Gasolina	4WD	3996	338	460	05.17-05.23	*
4.0 GTS AWD (9YBBG1)	Gasolina	4WD	3996	338	460	05.17-05.23	*
4.0 Turbo AWD (9YACF1) (DCUA)	Gasolina	4WD	3996	404	550	05.17-05.23	*
4.0 Turbo AWD (9YACF1) (MDC.UA)	Gasolina	4WD	3996	404	550	05.17-05.23	*
4.0 Turbo AWD (9YBCF1) (DCUA)	Gasolina	4WD	3996	404	550	01.19-	*
4.0 Turbo GT AWD (9YBCQ1)	Gasolina	4WD	3996	471	640	10.20-05.23	*
4.0 Turbo S E-Hybrid AWD (9YBCH1)	Gasol./el éc.	4WD	3996	500	680	05.17-05.23	*
4.0 Turbo S E-Hybrid AWD (9YBCH1) (DCUA)	Gasol./el éc.	4WD	3996	500	680	01.19-05.23	*
<b>CAYMAN II (981) 03.13-</b>				<b>Coupé (Sports car-S Segment)</b>			
3.8 GT4 (MDB.XA)	Gasolina	RWD	3800	283	385	01.15-05.16	*
<b>PANAMERA II (971) 05.16-</b>				<b>[CAMBIADO]:Fastback (Sports car-S Segment)</b>			
2.9 4 (97ABY1, 97BBY1, 97BBI1, 97BBM1, 97ABI1) (MDG.PA)	Gasolina	4WD	2894	243	330	05.16-12.23	*
2.9 4S (97ADB1, 97BDB1, 97ADN1) (MCS.ZA)	Gasolina	4WD	2894	324	440	05.16-12.23	*
3.0 (97AAA1, 97BAA1) (MCX.TA)	Gasolina	RWD	2995	243	330	05.16-12.20	*
3.0 4 (97ABA1, 97BBA1) (MCX.TA)	Gasolina	4WD	2995	243	330	05.16-12.20	*
4.0 GTS (97ADG1) (CVDD)	Gasolina	4WD	3996	338	460	01.18-12.23	*
4.0 GTS (97ADS1)	Gasolina	4WD	3996	353	480	08.20-12.23	*
4.0 Turbo (97AFF1, 97BFF1) (MCV.DA)	Gasolina	4WD	3996	404	550	05.16-12.23	*
2.9 4 E-Hybrid (97ABE1, 97BBE1, 97ABX1) (MDG.PA)	Gasol./el éc.	4WD	2894	243	330	05.16-	*
2.9 4 E-Hybrid (97ABE1, 97BBE1, 97ABX1) (MDG.PA)	Gasol./el éc.	4WD	2894	340	462	05.16-12.23	*
2.9 4S E-Hybrid	Gasol./el éc.	4WD	2894	412	560	08.20-12.23	*
4.0 Turbo S E-Hybrid (97CFT1) (MCV.DA)	Gasol./el éc.	4WD	3996	404	550	05.17-	*
4.0 Turbo S E-Hybrid (97CFT1) (MCV.DA)	Gasol./el éc.	4WD	3996	500	680	05.17-12.23	*
4.0 Turbo S E-Hybrid (97CFT1)	Gasol./el éc.	4WD	3996	515	700	05.20-	*
4.0 Turbo S E-Hybrid (97CFT1)	Gasol./el éc.	4WD	3996	515	700	05.20-12.23	*
4.0 S 4 Diesel (97ADD1) (MDB.UC)	Diesel	4WD	3956	310	422	05.16-12.23	*
<b>PANAMERA II Sport Turismo (971) 05.17-</b>				<b>[CAMBIADO]:Break (Sports car-S Segment)</b>			
2.9 4 (97CBY1, 97CBI1, 97CNI1) (CSZA)	Gasolina	4WD	2894	243	330	05.17-12.23	*
2.9 4 (97CBY1, 97CBI1, 97CNI1) (MDG.PA)	Gasolina	4WD	2894	243	330	05.17-12.23	*
2.9 4S (97CDB1) (MCS.ZA)	Gasolina	4WD	2894	324	440	05.17-12.23	*
3.0 4 (97CBA1) (MCX.TA)	Gasolina	4WD	2995	243	330	05.17-12.20	*
4.0 GTS (97CDG1) (CVDD)	Gasolina	4WD	3996	338	460	01.18-12.23	*

## LISTA DE APLICACIONES - BUYERS GUIDE

4.0 GTS (97CDG1)		Gasolina	4WD	3996	353	480	08.20-12.23	*
4.0 Turbo (97CFF1) (MCV.DA)		Gasolina	4WD	3996	404	550	05.17-12.23	*
2.9 4 E-Hybrid (97CBE1) (MDG.PA)		Gasol./el éc.	4WD	2894	243	330	05.17-	*
2.9 4S E-Hybrid (97ADZ1) (CSZA)		Gasol./el éc.	4WD	2894	324	440	08.20-	*
2.9 4 E-Hybrid (97CBE1) (MDG.PA)		Gasol./el éc.	4WD	2894	340	462	05.17-12.23	*
2.9 4S E-Hybrid (97CDZ1, 97ADZ1)		Gasol./el éc.	4WD	2894	412	560	08.20-12.23	*
4.0 Turbo S E-Hybrid (97CFT1) (MCV.DA)		Gasol./el éc.	4WD	3996	500	680	05.17-12.23	*
4.0 Turbo S E-Hybrid (97CFT1) (MCV.DA)		Gasol./el éc.	4WD	3996	500	680	05.17-	*
4.0 Turbo S E-Hybrid (97CFT1)		Gasol./el éc.	4WD	3996	515	700	05.20-	*
4.0 Turbo S E-Hybrid (97CFT1)		Gasol./el éc.	4WD	3996	515	700	05.20-12.23	*
4.0 S 4 Diesel (97CDD1) (MDB.UC)		Diesel	4WD	3956	310	422	05.17-12.23	*