

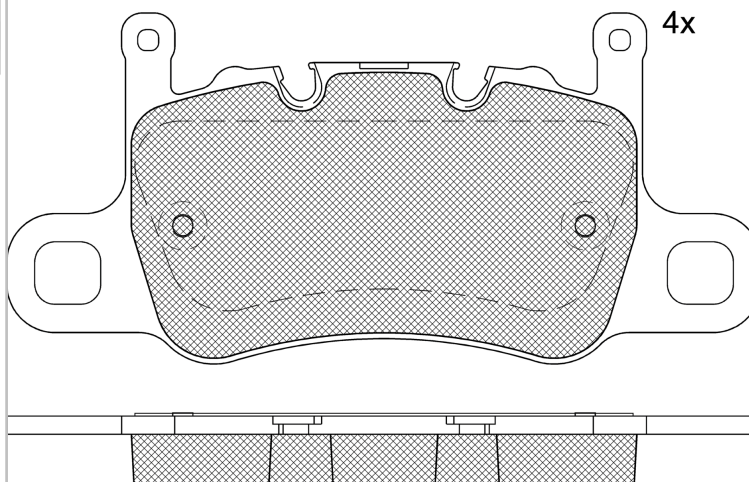
LISTA DE APLICACIONES - BUYERS GUIDE

RB2348



Qty: 300 Weight: 2.470

O.E.M.	MAKE
991 352 948 80	PORSCHE
991 352 948 81	PORSCHE



RB2348

E 9 **90R-02A0111/4330**



Brembo

187.5x87.2x17.9

WVA 25512	FMSI D1740-8963
Sin Filas	



Trac.	CC	Kw	CV	Front / Rear
-------	----	----	----	--------------

PORSCHE

							Cabrio (Sports car-S Segment)		
718 BOXSTER (982) 04.16-									
2.5 GTS (982340, 982341, 982380) (MDJ.UA)			Gasolina	RWD	2497	269	365	10.17-	*
2.5 GTS (982340, 982341, 982380) (MDJ.UB)			Gasolina	RWD	2497	269	365	10.17-	*
718 CAYMAN (982) 04.16-							Coupé (Sports car-S Segment)		
2.5 GTS (982140, 982141) (DPHB)			Gasolina	RWD	2497	269	365	10.17-	*
2.5 GTS (982140, 982141) (MDJ.UA)			Gasolina	RWD	2497	269	365	10.17-	*
2.5 GTS (982140, 982141) (MDJ.UB)			Gasolina	RWD	2497	269	365	10.17-	*
911 (991) 05.11-12.20							Coupé (Sports car-S Segment)		
3.8 Sport Classic (992130)			Gasolina	RWD	3745	405	551	01.21-05.25	*
3.8 Turbo (992430)			Gasolina	4WD	3745	427	581	03.20-05.25	*
3.8 GT3 (MA1.75)			Gasolina	RWD	3799	350	475	08.13-05.17	*
3.8 GT3 (MA1.75)			Gasolina	RWD	3799	354	481	01.14-05.17	*
4.0 GT3 (MA1.77)			Gasolina	RWD	3996	368	500	05.17-12.20	*
4.0 GT3 (MDG.GA)			Gasolina	RWD	3996	368	500	05.17-12.20	*
4.0 GT3 RS / R (MA1.76)			Gasolina	RWD	3996	368	500	04.15-12.20	*
4.0 GT3 RS / R (MDG.GA)			Gasolina	RWD	3996	368	500	04.15-12.20	*
GT3 (992810, 992812)			Gasolina	RWD	3996	375	510	05.21-	*
GT3 RS (992850)			Gasolina	RWD	3996	386	525	09.22-05.24	*
S/T (992880)			Gasolina	RWD	3996	386	525	06.23-05.24	*
CAYENNE III (9YA) 05.17-							SUV (Luxury Crossover SUV-J Segment)		
4.0 Turbo GT AWD (9YBCQ1)			Gasolina	4WD	3996	471	640	10.20-05.23	*
4.0 Turbo S E-Hybrid AWD (9YBCH1)			Gasol./el éc.	4WD	3996	500	680	05.17-05.23	*

LISTA DE APLICACIONES - BUYERS GUIDE

4.0 Turbo S E-Hybrid AWD (9YBCH1) (DCUA)	Gasol./el éc.	4WD	3996	500	680	01.19-05.23	*
CAYMAN II (981) 03.13-				Coupé (Sports car-S Segment)			
3.8 GT4 (MDB.XA)	Gasolina	RWD	3800	283	385	01.15-05.16	*