

LISTA DE APLICACIONES - BUYERS GUIDE

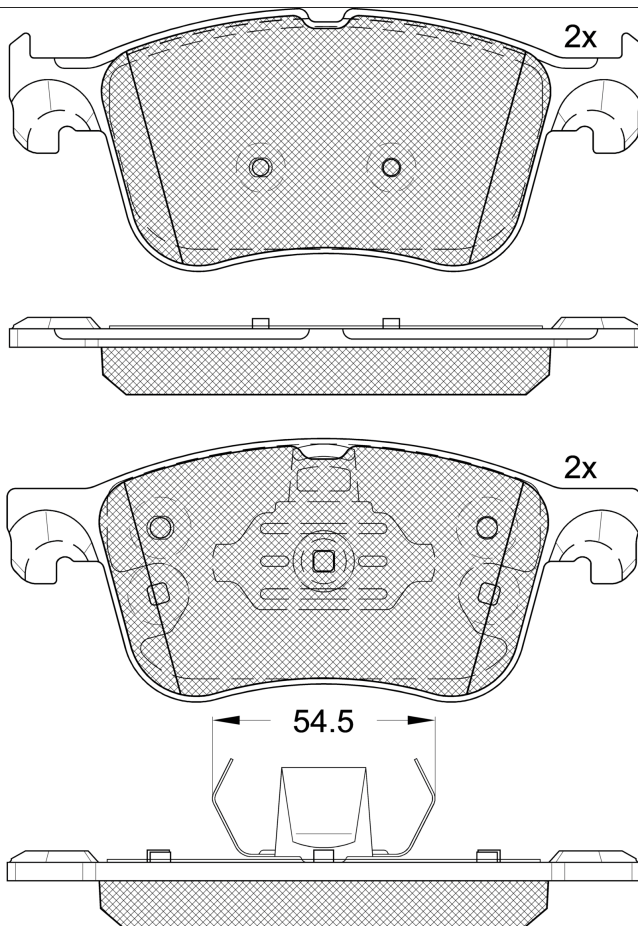
RB2321-204



Qty: 300

Weight: 1.765

O.E.M.	MAKE
2 382 272	FORD
2 454 601	FORD
2 580 321	FORD
2209149	FORD
2210416	FORD
2545385	FORD
KTJX612K021AEA	FORD
KTJX612K021AEB	FORD
KTJX61-2K021-AEC	FORD
KTJX61-2K021-AED	FORD
KTJX612K021CEA	FORD
KTJX61-2K021-CEB	FORD



RB2321-204

E 9 90R-02A0111/5485



Ate - Teves

155.1x64.4x16.8
155.1x64.5x16.8

WVA
20556

Sin Filas



Trac.	CC	Kw	CV
-------	----	----	----



Front / Rear

FORD

						[CAMBIADO]:Fastback (Compact car-C Segment)				
FOCUS IV (HN) 01.18-										
1.0 EcoBoost (SFDC)		Gasolina	FWD	998	63	85	05.18-11.25	*		
1.0 EcoBoost (B3DA)		Gasolina	FWD	999	74	101	01.18-11.25	*		
1.0 EcoBoost (B7DA)		Gasolina	FWD	999	92	125	01.18-11.25	*		
1.5 Ti-VCT (Y2DA)		Gasolina	FWD	1496	90	123	11.18-11.25	*		
1.5 EcoBoost (YZDA)		Gasolina	FWD	1496	110	150	09.18-11.25	*		
1.5 EcoBoost (Y1DA)		Gasolina	FWD	1496	134	182	09.18-11.25	*		
2.3 ST EcoBoost (N3DA)		Gasolina	FWD	2261	206	280	04.19-11.25	*		
2.3 ST EcoBoost (N3DB)		Gasolina	FWD	2261	206	280	04.19-11.25	*		
1.0 EcoBoost mHEV Flex		Gasol./etanol/eléc	FWD	999	92	125	01.22-11.25	*		
1.0 EcoBoost mHEV		Gasol./eléc.	FWD	999	92	125	06.20-11.25	*		
1.0 ECOBOOST MHEV ACTIVE		Gasol./eléc.	FWD	999	92	125	01.21-11.25	*		
1.0 EcoBoost mHEV		Gasol./eléc.	FWD	999	114	155	06.20-11.25	*		
1.0 ECOBOOST MHEV ACTIVE		Gasol./eléc.	FWD	999	114	155	01.21-	*		
1.5 EcoBlue (Z2DA)		Diesel	FWD	1499	70	95	01.18-11.25	*		
1.5 EcoBlue (ZTDA)		Diesel	FWD	1499	88	120	01.18-11.25	*		
1.5 EcoBlue (ZTDB)		Diesel	FWD	1499	88	120	01.18-11.25	*		
2.0 EcoBlue (YLDA)		Diesel	FWD	1995	110	150	01.18-11.25	*		
2.0 ST EcoBlue		Diesel	FWD	1996	140	190	04.19-11.25	*		
FOCUS IV (HM) 11.18-						Sedán (Compact car-C Segment)				
1.0 EcoBoost (B3DA)		Gasolina	FWD	999	74	101	11.18-11.25	*		

LISTA DE APLICACIONES - BUYERS GUIDE

1.0 EcoBoost (B7DA)		Gasolina	FWD	999	92	125	11.18-11.25	*
1.5 Ti-VCT (Y2DA)		Gasolina	FWD	1496	90	122	11.18-11.25	*
1.5 EcoBoost (YZDA)		Gasolina	FWD	1496	110	150	11.18-11.25	*
1.5 EcoBlue (Z2DA)		Diesel	FWD	1499	70	95	11.18-11.25	*
1.5 EcoBlue (ZTDA)		Diesel	FWD	1499	88	120	11.18-11.25	*
1.5 EcoBlue (ZTDB)		Diesel	FWD	1499	88	120	11.18-11.25	*
FOCUS IV Turnier (HP) 09.18-				[CAMBIADO]:Break (Compact car-C Segment)				
1.0 EcoBoost (SFDC)		Gasolina	FWD	998	63	85	09.18-11.25	*
1.0 EcoBoost (B3DA)		Gasolina	FWD	999	74	101	09.18-11.25	*
1.0 EcoBoost (B7DA)		Gasolina	FWD	999	92	125	09.18-11.25	*
1.5 Ti-VCT (Y2DA)		Gasolina	FWD	1496	90	122	09.18-11.25	*
1.5 EcoBoost (YZDA)		Gasolina	FWD	1496	110	150	09.18-11.25	*
1.5 EcoBoost (Y1DA)		Gasolina	FWD	1496	134	182	09.18-11.25	*
2.3 ST EcoBoost (N3DA)		Gasolina	FWD	2261	206	280	04.19-11.25	*
2.3 ST EcoBoost (N3DB)		Gasolina	FWD	2261	206	280	04.19-11.25	*
1.0 EcoBoost mHEV Flex		Gasol./etanol/eléc	FWD	999	92	125	12.22-11.25	*
1.0 EcoBoost mHEV		Gasol./eléc.	FWD	999	92	125	07.20-11.25	*
1.0 EcoBoost mHEV		Gasol./eléc.	FWD	999	114	155	07.20-11.25	*
1.5 EcoBlue (Z2DA)		Diesel	FWD	1499	70	95	09.18-11.25	*
1.5 EcoBlue (ZTDA)		Diesel	FWD	1499	88	120	09.18-11.25	*
1.5 EcoBlue (ZTDB)		Diesel	FWD	1499	88	120	09.18-11.25	*
2.0 EcoBlue (YLDA)		Diesel	FWD	1995	110	150	09.18-11.25	*
2.0 ST EcoBlue		Diesel	FWD	1995	140	190	04.19-11.25	*
KUGA III / ESCAPE IV (DFK) 07.19-				SUV (Compact SUV-J Segment)				
1.5 EcoBoost		Gasolina	FWD	1496	88	120	07.19-	*
1.5 EcoBoost		Gasolina	FWD	1496	110	150	07.19-	*
1.5 EcoBoost		Gasolina	FWD	1496	134	183	09.19-	*
1.5 EcoBoost		Gasolina	FWD	1496	134	182	05.20-	*
1.5 EcoBoost		Gasolina	FWD	1497	110	150	07.19-	*
2.5 Hybrid Flex		Gasol./etanol/eléc	FWD	2488	140	190	06.23-	*
2.5 Duratec FHEV		Gasol./eléc.	FWD	2488	132	179	01.24-	*
2.5 Duratec FHEV 4x4		Gasol./eléc.	4WD	2488	134	182	01.24-	*
2.5 FHEV		Gasol./eléc.	FWD	2488	140	190	01.21-	*
2.5 FHEV 4x4		Gasol./eléc.	4WD	2488	140	190	01.21-	*
2.5 Duratec Plug-in-Hybrid 4x4		Gasol./eléc.	FWD	2488	165	224	07.19-	*
2.5 Duratec Plug-in-Hybrid 4x4		Gasol./eléc.	4WD	2488	165	224	07.19-	*
2.5 Duratec PHEV		Gasol./eléc.	FWD	2488	178	242	01.24-	*
2.0 EcoBlue mHEV (YLDC)		Diesel/eléc.	FWD	1995	110	150	07.19-	*
1.5 EcoBlue (ZTDA)		Diesel	FWD	1499	88	120	07.19-	*
2.0 TDCi		Diesel	FWD	1995	88	120	11.22-	*
2.0 TDCi 4x4		Diesel	4WD	1995	88	120	11.22-	*
2.0 EcoBlue 4x4		Diesel	4WD	1995	140	190	07.19-	*
2.0 EcoBlue 4x4		Diesel	4WD	1996	110	150	02.21-	*

LISTA DE APLICACIONES - BUYERS GUIDE

PUMA II (J2K, CF7) 09.19-					SUV (Compact SUV-J Segment)			
1.5 ST EcoBoost	Gasolina	FWD	1496	147	200	11.20-	*	
FORD AUSTRALIA								
FOCUS (SA) 08.18-					[CAMBIADO]:Break (Compact car-C Segment)			
1.5 EcoBoost (Y1DA)	Gasolina	FWD	1496	134	182	08.18-	*	
2.0 EcoBoost (YLDA)	Gasolina	FWD	1995	110	150	08.18-	*	
FOCUS (SA) 08.18-					[CAMBIADO]:Fastback (Compact car-C Segment)			
1.5 EcoBoost (Y1DA)	Gasolina	FWD	1496	134	182	08.18-	*	
2.3 ST	Gasolina	FWD	2261	206	280	12.19-	*	
LINCOLN								
CORSAIR SUV (J2_) 09.19-					SUV (Luxury Crossover SUV-J Segment)			
2.0	Gasolina	FWD	1999	186	253	09.19-	*	
2.0 AWD	Gasolina	4WD	1999	186	253	09.19-	*	
2.4	Gasolina	FWD	2266	220	299	09.19-	*	
2.4 AWD	Gasolina	4WD	2266	220	299	09.19-	*	
LINCOLN (CHANGAN)								
CORSAIR 03.20-					Closed SUV (Luxury Crossover SUV-J Segment)			
2.0	Gasolina	FWD	1999	180	245	02.20-	*	
2.0 AWD	Gasolina	4WD	1999	180	245	02.20-	*	