

LISTA DE APLICACIONES - BUYERS GUIDE

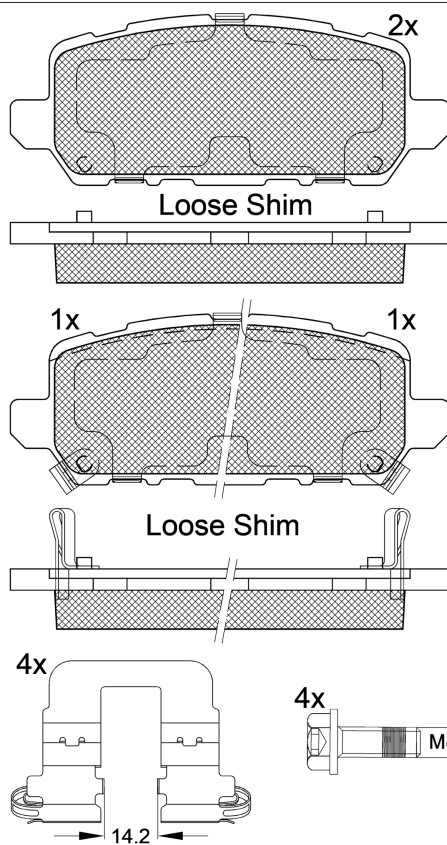
RB2312



Qty: 300

Weight: 1.220

| O.E.M. | MAKE |
|---------------|-------|
| 43022-T2J-H00 | HONDA |
| 43022-T2J-H01 | HONDA |
| 43022-T7J-H01 | HONDA |
| 43022-T7J-H12 | HONDA |
| 43022-T8M-G00 | HONDA |
| 43022-T8M-G01 | HONDA |
| 43022-T8M-G02 | HONDA |
| 43022-TAD-J02 | HONDA |
| 43022-TJH11 | HONDA |



RB2312

E 9 90R-02A0111/4133



Akebono

116.6x45.3x16.6

| WVA | FMSI |
|-------|------------|
| 25947 | D1841-9069 |
| 25948 | |
| 25949 | |

Sin Filas



| Trac. | CC | Kw | CV |
|-------|----|----|----|
|-------|----|----|----|



Front / Rear

ACURA (GAC)

| CDX 07.16- | SUV (Compact car-C Segment) | | | | | | |
|----------------|-----------------------------|-----|------|-----|-----|--------|---|
| CDX 2.0 Hybrid | Gasol./el éc. | FWD | 1993 | 107 | 145 | 04.18- | * |

HONDA

| (RV) 04.21- | SUV () | | | | | | |
|-----------------|------------------|-----|------|----|-----|--------|---|
| 1.5 iVtec (RV3) | Gasolina | FWD | 1498 | 89 | 121 | 06.21- | * |
| 1.5 eHEV (RV5) | Gasol./el éc. | FWD | 1498 | 78 | 106 | 04.21- | * |
| 1.5 eHEV (RV5) | Gasol./el éc. | FWD | 1498 | 79 | 107 | 09.21- | * |
| 1.5 eHEV (RV5) | Gasol./el éc. | FWD | 1498 | 96 | 131 | 09.21- | * |

| ACCORD IX 09.12- | Coupé (Executive car-E Segment) | | | | | | |
|------------------|---------------------------------|-----|------|-----|-----|--------|---|
| 2.4 | Gasolina | FWD | 2354 | 141 | 192 | 09.13- | * |
| 2.4 (K24Z3) | Gasolina | FWD | 2356 | 138 | 188 | 09.12- | * |
| 3.5 | Gasolina | FWD | 3471 | 204 | 277 | 09.13- | * |
| 3.5 (J35Y1) | Gasolina | FWD | 3471 | 207 | 282 | 09.12- | * |

| ACCORD IX (CR) 09.12- | Sedán (Executive car-E Segment) | | | | | | |
|-----------------------|---------------------------------|-----|------|-----|-----|--------|---|
| 2.0 | Gasolina | FWD | 1997 | 114 | 155 | 09.13- | * |
| 2.4 | Gasolina | FWD | 2354 | 136 | 185 | 09.13- | * |
| 2.4 (K24W1) | Gasolina | FWD | 2354 | 141 | 192 | 09.12- | * |
| 2.4 (CR2) (K24W) | Gasolina | FWD | 2356 | 129 | 175 | 11.13- | * |
| 2.4 (CR2) (K24W2) | Gasolina | FWD | 2356 | 132 | 180 | 07.14- | * |
| 2.4 (CR2) (K24W3) | Gasolina | FWD | 2356 | 132 | 180 | 07.14- | * |
| 2.4 (K24Z3) | Gasolina | FWD | 2356 | 138 | 188 | 09.12- | * |

LISTA DE APLICACIONES - BUYERS GUIDE

| | | | | | | | | | |
|------------------------------------|--|---------------|-----|------|--|-----|-------------|---|--|
| 3.5 (J35Z2) | | Gasolina | FWD | 3471 | 204 | 277 | 09.13- | * | |
| 3.5 | | Gasolina | FWD | 3471 | 206 | 280 | 11.13- | * | |
| 3.5 (J35Y1) | | Gasolina | FWD | 3471 | 207 | 282 | 09.12- | * | |
| 2.0 E85 (CR1) (R20Z2) | | Gasol./Etanol | FWD | 1997 | 114 | 155 | 06.13- | * | |
| 2.0 E85 (CR1) (R20Z3) | | Gasol./Etanol | FWD | 1997 | 114 | 155 | 06.13- | * | |
| 2.4 E85 (CR2) | | Gasol./Etanol | FWD | 2356 | 128 | 174 | 06.13- | * | |
| 2.0 Hybrid | | Gasol./eléc. | FWD | 1993 | 105 | 143 | 01.13- | * | |
| 2.0 Hybrid (CR6) | | Gasol./eléc. | FWD | 1993 | 146 | 199 | 01.13-04.16 | * | |
| CR-Z (ZF) 06.10- | | | | | Coupé (Compact car-C Segment) | | | | |
| 1.5 IMA (ZF1) (LEA1) | | Gasol./eléc. | FWD | 1497 | 84 | 114 | 06.10- | * | |
| 1.5 IMA (ZF2) (LEA1) | | Gasol./eléc. | FWD | 1497 | 101 | 137 | 11.12- | * | |
| 1.5 IMA (ZF2) (LEA3) | | Gasol./eléc. | FWD | 1497 | 101 | 137 | 11.12- | * | |
| HR-V II - VEZEL (RU) 11.14- | | | | | SUV (Mini SUV-J Segment) | | | | |
| 1.5 i-VTEC AWD (RU2) (L15B4) | | Gasolina | 4WD | 1496 | 96 | 130 | 01.16- | * | |
| 1.5 (RU1) | | Gasolina | FWD | 1497 | 88 | 120 | 01.15- | * | |
| 1.5 (RU1) (L15B) | | Gasolina | FWD | 1498 | 96 | 130 | 08.15- | * | |
| 1.5 i-VTEC (RU1) (L15BY) | | Gasolina | FWD | 1498 | 134 | 182 | 04.19- | * | |
| 1.8 (RU5) | | Gasolina | FWD | 1799 | 102 | 139 | 01.15- | * | |
| 1.8 i-VTEC Flexone | | Gasolina | FWD | 1799 | 103 | 140 | 06.15- | * | |
| 1.8 (RU5) (R18ZF) | | Gasolina | FWD | 1799 | 104 | 141 | 11.14- | * | |
| 1.8 (RU5) (R18ZG) | | Gasolina | FWD | 1799 | 104 | 141 | 11.14- | * | |
| 1.8 AWD | | Gasolina | 4WD | 1799 | 104 | 141 | 11.14- | * | |
| 1.8 (RU58) | | Gasolina | FWD | 1799 | 105 | 143 | 01.15- | * | |
| 1.8 AWD | | Gasolina | 4WD | 1799 | 105 | 143 | 01.15- | * | |
| 1.6 i-DTEC (RU8) | | Diesel | FWD | 1597 | 88 | 120 | 08.15- | * | |
| VEZEL II (RU) 09.13- | | | | | Closed SUV (Mini SUV-J Segment) | | | | |
| 1.5 i-VTEC | | Gasolina | FWD | 1496 | 96 | 131 | 09.13- | * | |
| 1.5 VTEC Flex | | Gasol./Etanol | FWD | 1496 | 85 | 116 | 09.13- | * | |
| 1.5 Hybrid | | Gasol./eléc. | FWD | 1496 | 97 | 132 | 09.13- | * | |
| 1.5 Hybrid | | Gasol./eléc. | 4WD | 1496 | 97 | 132 | 09.13- | * | |
| VEZEL II (RU) 09.13- | | | | | SUV (Mini SUV-J Segment) | | | | |
| 1.5 i-VTEC (RU1) | | Gasolina | FWD | 1496 | 96 | 131 | 09.13- | * | |
| HONDA (DONGFENG) | | | | | | | | | |
| ELYSION (RR_) 01.16- | | | | | MPV (Compact MPV-M1 Segment) | | | | |
| Vti Hybrid | | Gasol./eléc. | FWD | 1993 | 107 | 145 | 09.19- | * | |
| SPIRIOR II (CU_) 11.14- | | | | | Sedán (Executive car-E Segment) | | | | |
| 2.0 Hybrid | | Gasol./eléc. | FWD | 1993 | 107 | 146 | 01.17- | * | |
| XR-V (RU_) 11.14- | | | | | SUV () | | | | |
| 1.5 | | Gasolina | FWD | 1496 | 96 | 131 | 06.15- | * | |
| 220TURBO | | Gasolina | FWD | 1498 | 130 | 177 | 07.19- | * | |
| 1.8 | | Gasolina | FWD | 1798 | 100 | 136 | 11.14- | * | |
| HONDA (GAC) | | | | | | | | | |

LISTA DE APLICACIONES - BUYERS GUIDE

| ACCORD IX (CR_) 09.13- | | | | | Sedán (Compact executive car-D Segment) | | | |
|----------------------------------|---------------|-----|------|-----|--|-------------|---|--|
| 2.0 | Gasolina | FWD | 1997 | 114 | 155 | 09.13-12.18 | * | |
| 2.4 | Gasolina | FWD | 2356 | 137 | 186 | 09.13- | * | |
| 3.0 | Gasolina | FWD | 2997 | 192 | 261 | 09.13- | * | |
| 2.0 Hybrid | Gasol./el éc. | FWD | 1993 | 107 | 146 | 09.16- | * | |
| ODYSSEY III (RC_) 08.14- | | | | | MPV (Large MPV-M1 Segment) | | | |
| hybrid | Gasol./el éc. | FWD | 1993 | 107 | 145 | 04.19- | * | |
| VEZEL - HR-V (RU_) 10.14- | | | | | SUV (Mini SUV-J Segment) | | | |
| 1.5 | Gasolina | FWD | 1498 | 96 | 131 | 10.14- | * | |
| 220TURBO | Gasolina | FWD | 1498 | 130 | 177 | 06.19- | * | |
| 1.8 | Gasolina | FWD | 1799 | 100 | 136 | 10.14- | * | |
| 1.8 | Gasolina | FWD | 1799 | 100 | 136 | 10.14- | * | |