

LISTA DE APLICACIONES - BUYERS GUIDE

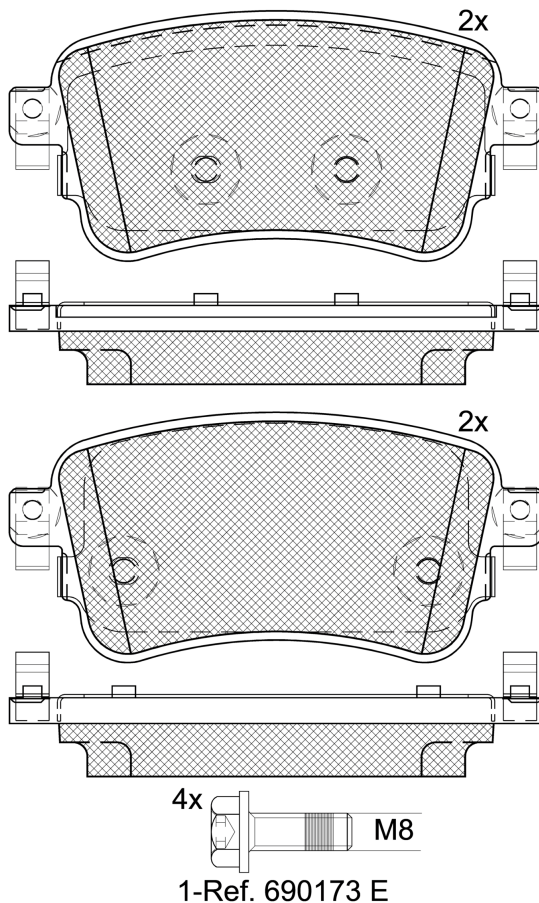
RB2294



Qty: 300

Weight: 1.310

O.E.M.	MAKE
15 52 537 22	FIAT
155253721	FIAT
155254430	FIAT
16 179 368 80	PEUGEOT
16 736 038 80	CITROËN
16 759 918 80	CITROËN
1673597480	FIAT
SU001-A6136	TOYOTA
SU001-B3807	TOYOTA
SU001-S6136	TOYOTA



RB2294

E 9 90R-02A0111/4725



Trw

113.9x53.4x17.7

WVA	FMSI
22588	D2246-9482
22589	

Sin Filas



Trac.	CC	Kw	CV		Front / Rear
-------	----	----	----	--	--------------

CITROËN

C4 SPACETOURER (3D_) 04.18-				MPV (Compact MPV-M1 Segment)					
1.2 PureTech 110 (HNX (EB2DTS))	Gasolina	FWD	1199	81	110	04.18-			*
1.2 PureTech 130 (HNY (EB2DTS))	Gasolina	FWD	1199	96	131	04.18-			*
1.6 THP 165 (5GZ (EP6FDT))	Gasolina	FWD	1598	121	165	04.18-			*
1.6 BlueHDi 100 (BHY (DV6FD))	Diesel	FWD	1560	73	99	04.18-04.19			*
1.6 HDi 115	Diesel	FWD	1560	85	116	04.18-			*
1.6 BlueHDi 120 (BHZ (DV6FC))	Diesel	FWD	1560	88	120	04.18-04.19			*
2.0 BlueHDi 150 (AHX (DW10FD))	Diesel	FWD	1997	110	150	04.18-			*
2.0 BlueHDi 160 (EHY (DW10FCC))	Diesel	FWD	1997	120	163	04.18-			*
C4 SPACETOURER Van (3D_) 04.18-				Furgoneta/MPV (Compact car-C Segment)					
PureTech 130 (HNY (EB2DTS))	Gasolina	FWD	1199	96	131	05.19-			*
BlueHDi 120 (BHZ (DV6FC))	Diesel	FWD	1560	88	120	05.19-			*
GRAND C4 SPACETOURER Van (3A_, 3E_) 04.18-				Furgoneta/MPV (Compact car-C Segment)					
PureTech 130 (HNY (EB2DTS))	Gasolina	FWD	1199	96	131	05.19-			*
BlueHDi 160 (EHY (DW10FCC))	Diesel	FWD	1997	120	163	05.19-			*
GRAND C4 SPACETOURER (3A_, 3E_) 04.18-				MPV (Large MPV-M1 Segment)					
1.2 PureTech 130 (HNS (EB2ADTS))	Gasolina	FWD	1199	96	131	04.18-			*
1.2 PureTech 130 (HNY (EB2DTS))	Gasolina	FWD	1199	96	131	04.18-			*
1.6 THP 165 (5GX (EP6FDTMD))	Gasolina	FWD	1598	110	150	04.18-			*
1.6 THP 165 (5GZ (EP6FDT))	Gasolina	FWD	1598	121	165	04.18-			*
1.6 BlueHDi 100 (BHY (DV6FD))	Diesel	FWD	1560	73	99	04.18-04.19			*
1.6 BlueHDi 120 (BHZ (DV6FC))	Diesel	FWD	1560	88	120	04.18-08.18			*

LISTA DE APLICACIONES - BUYERS GUIDE

2.0 BlueHDi 150 (AHR (DW10FD))		Diesel	FWD	1997	110	150	04.18-	*
2.0 BlueHDi 150 (AHX (DW10FD))		Diesel	FWD	1997	110	150	04.18-	*
2.0 BlueHDi 160 (EHY (DW10FCC))		Diesel	FWD	1997	120	163	04.18-	*
JUMPY III / DISPATCH (V_) 04.16-					[CAMBIADO]:Furgón (LCVs-N1 Segment)			
è-JUMPY HYDROGEN		Hidró/elé c.	FWD		100	136	10.24-	*
è-JUMPY (ZKX (ZK01))		Eléctrico	FWD		100	136	09.20-	*
è-JUMPY		Eléctrico	FWD		100	136	11.23-	*
1.5 BlueHDi 100 (YHR (DV5RUCD))		Diesel	FWD	1499	75	102	06.18-04.25	*
1.5 BlueHDI 120 (YHV (DV5RUC))		Diesel	FWD	1499	88	120	06.18-	*
1.6 BlueHDi 90 (9HF (DV6DU))		Diesel	FWD	1560	66	90	09.18-	*
1.6 BlueHDi 95 (BHS (DV6FDU))		Diesel	FWD	1560	70	95	04.16-04.20	*
1.6 BlueHDi 95 (BHV (DV6FDU))		Diesel	FWD	1560	70	95	04.16-04.20	*
1.6 BlueHDi 115 (BHX (DV6FCU))		Diesel	FWD	1560	85	116	04.16-06.22	*
2.0 BlueHDi 120 (AHK (DW10FE))		Diesel	FWD	1997	90	122	04.16-12.22	*
2.0 BlueHDi 120 4x4 (AHK (DW10FE))		Diesel	4WD	1997	90	122	04.16-12.22	*
2.0 BlueHDi 145		Diesel	FWD	1997	106	144	08.21-04.25	*
2.0 BlueHDi 150 (AHX (DW10FD))		Diesel	FWD	1997	110	150	04.16-12.22	*
2.0 BlueHDi 150 4x4 (AHX (DW10FD))		Diesel	4WD	1997	110	150	04.16-12.22	*
2.0 BlueHDi 180 (AHH (DW10FC))		Diesel	FWD	1997	130	177	04.16-04.25	*
2.0 BlueHDi 180 (EHZ (DW10FDCU))		Diesel	FWD	1997	130	177	04.16-04.25	*
JUMPY III / DISPATCH (V_) 04.16-					Bus (Minibus-M2-Segment)			
è-JUMPY		Eléctrico	FWD		100	136	09.20-10.23	*
è-JUMPY		Eléctrico	FWD		100	136	11.23-	*
1.5 BlueHDi 100 (YHR (DV5RUCD))		Diesel	FWD	1499	75	102	06.18-04.25	*
1.5 BlueHDI 120 (YHV (DV5RUC))		Diesel	FWD	1499	88	120	06.18-04.25	*
1.6 BlueHDi 95 (BHS (DV6FDU))		Diesel	FWD	1560	70	95	04.16-	*
1.6 BlueHDi 115 (BHX (DV6FCU))		Diesel	FWD	1560	85	116	04.16-06.22	*
2.0 BlueHDi 120 (AHK (DW10FE))		Diesel	FWD	1997	90	122	04.16-12.22	*
2.0 BlueHDi 150 (AHX (DW10FD))		Diesel	FWD	1997	110	150	04.16-12.22	*
2.0 BlueHDi 180 (AHH (DW10FC))		Diesel	FWD	1997	130	177	04.16-04.25	*
JUMPY III / DISPATCH (V_) 09.16-					Caja/Chasis (LCVs-N1 Segment)			
è-JUMPY		Eléctrico	FWD		100	136	01.23-10.23	*
è-JUMPY		Eléctrico	FWD		100	136	11.23-	*
1.6 BlueHDi 95 (BHS (DV6FDU))		Diesel	FWD	1560	70	95	09.16-04.20	*
1.6 BlueHDi 95 (BHV (DV6FDU))		Diesel	FWD	1560	70	95	09.16-04.20	*
2.0 BlueHDi 120 (AHK (DW10FE))		Diesel	FWD	1997	90	122	09.16-12.22	*
2.0 BlueHDi 145		Diesel	FWD	1997	106	144	01.23-04.25	*
2.0 BlueHDi 150 (AHX (DW10FD))		Diesel	FWD	1997	110	150	09.16-12.22	*
SPACETOURER (V_) 04.16-					Bus (Minibus-M2-Segment)			
è-SPACETOURER (ZKX (ZK01))		Eléctrico	FWD		100	136	09.20-10.23	*
è-SPACETOURER		Eléctrico	FWD		100	136	11.23-	*
1.5 BlueHDi 100 (YHR (DV5RUCD))		Diesel	FWD	1499	75	102	06.18-04.25	*
1.5 BlueHDI 120 (YHV (DV5RUC))		Diesel	FWD	1499	88	120	06.18-04.25	*
1.6 HDi 90 (9HF (DV6DU))		Diesel	FWD	1560	66	90	07.18-	*
1.6 BlueHDi 95 (BHS (DV6FDU))		Diesel	FWD	1560	70	95	04.16-04.19	*
1.6 BlueHDi 95 (BHV (DV6FDU))		Diesel	FWD	1560	70	95	04.16-04.19	*
1.6 BlueHDi 115 (BHX (DV6FCU))		Diesel	FWD	1560	85	116	04.16-04.19	*
2.0 BlueHDi 120 (AHK (DW10FE))		Diesel	FWD	1997	90	122	12.19-12.22	*
2.0 BlueHDi 145 (EHS (DW10FDDU370))		Diesel	FWD	1997	106	144	09.20-04.25	*

LISTA DE APLICACIONES - BUYERS GUIDE

2.0 BlueHDi 145 (EHT (DW10FDDU340))		Diesel	FWD	1997	106	144	09.20-04.25	*
2.0 BlueHDi 150 (AHX (DW10FD))		Diesel	FWD	1997	110	150	04.16-12.22	*
2.0 BlueHDi 150 4x4 (AHX (DW10FD))		Diesel	4WD	1997	110	150	04.16-12.22	*
2.0 BlueHDi 180 (AHH (DW10FC))		Diesel	FWD	1997	130	177	04.16-04.25	*
2.0 BlueHDi 180 (EHZ (DW10FDCU))		Diesel	FWD	1997	130	177	04.16-04.25	*
FIAT								
SCUDO III 01.22-							[CAMBIADO]:Furgón (LCVs-N1 Segment)	
E-SCUDO (507)		Eléctrico	FWD		100	136	01.22-10.23	*
E-SCUDO (507)		Eléctrico	FWD		100	136	11.23-	*
1.5 Multijet 100 (506)		Diesel	FWD	1499	75	102	01.22-	*
1.5 Multijet 120 (506)		Diesel	FWD	1499	88	120	01.22-	*
2.0 Multijet 145 (506)		Diesel	FWD	1997	106	144	01.22-04.25	*
2.0 Multijet 180 (506)		Diesel	FWD	1997	130	177	01.22-04.25	*
SCUDO III 01.22-							Bus (LCVs-N1 Segment)	
E-SCUDO (507)		Eléctrico	FWD		100	136	01.22-10.23	*
E-SCUDO (507)		Eléctrico	FWD		100	136	11.23-	*
2.0 Multijet 180 (506)		Diesel	FWD	1997	130	177	02.24-04.25	*
SCUDO III 01.22-							Caja/Chasis (LCVs-N1 Segment)	
E-SCUDO (507)		Eléctrico	FWD		100	136	01.22-10.23	*
E-SCUDO (507)		Eléctrico	FWD		100	136	11.23-	*
2.0 Multijet 145 (506)		Diesel	FWD	1997	106	144	01.22-04.25	*
ULYSSE III 01.22-							Bus (Large MPV-M1 Segment)	
E-ULYSSE (367)		Eléctrico	FWD		100	136	01.22-10.23	*
E-ULYSSE (367)		Eléctrico	FWD		100	136	11.23-	*
2.0 Multijet 180 (366, 506)		Diesel	FWD	1997	130	177	01.22-04.25	*
OPEL								
VIVARO III (C) (K0) 03.19-							[CAMBIADO]:Furgón (LCVs-N1 Segment)	
VIVARO-E HYDROGEN		Hidró/elé c.	FWD		100	136	08.22-09.24	*
VIVARO-E HYDROGEN		Hidró/elé c.	FWD		100	136	10.24-	*
VIVARO-E		Eléctrico	FWD		100	136	09.20-03.24	*
VIVARO-E		Eléctrico	FWD		100	136	04.24-	*
1.5 (D 15 DT (DV5RUCD))		Diesel	FWD	1499	75	102	03.19-04.25	*
1.5 (D 15 DTH (DV5RUC))		Diesel	FWD	1499	88	120	03.19-	*
1.5 A las 4 ruedas (D 15 DTH (DV5RUC))		Diesel	4WD	1499	88	120	03.19-	*
2.0 (D 20 DTL (DW10FE))		Diesel	FWD	1997	90	122	03.19-12.22	*
2.0		Diesel	FWD	1997	106	144	08.21-04.25	*
2.0 (D 20 DTH (DW10FD))		Diesel	FWD	1997	110	150	03.19-12.22	*
2.0 Alas 4 ruedas (D 20 DTH (DW10FD))		Diesel	4WD	1997	110	150	03.19-12.22	*
2.0 (D 20 DTR (DW10FDCU))		Diesel	FWD	1997	130	177	03.19-04.25	*
VIVARO III (C) (K0) 03.19-							Bus (Minibus-M2-Segment)	
VIVARO-E		Eléctrico	FWD		100	136	09.20-03.24	*
VIVARO-E		Eléctrico	FWD		100	136	04.24-	*
1.5 (D 15 DT (DV5RUCD))		Diesel	FWD	1499	75	102	03.19-04.25	*
1.5 (D 15 DTH (DV5RUC))		Diesel	FWD	1499	88	120	03.19-04.25	*
2.0 (D 20 DTL (DW10FE))		Diesel	FWD	1997	90	122	03.19-12.22	*
2.0		Diesel	FWD	1997	106	144	09.20-04.25	*
2.0 (D 20 DTH (DW10FD))		Diesel	FWD	1997	110	150	03.19-12.22	*
2.0		Diesel	FWD	1997	130	177	12.22-04.25	*

LISTA DE APLICACIONES - BUYERS GUIDE

VIVARO III (C) (K0) 03.19-					Caja/Chasis (LCVs-N1 Segment)			
VIVARO-E		Eléctrico	FWD		100	136	09.20-03.24	*
VIVARO-E		Eléctrico	FWD		100	136	04.24-	*
2.0 (D 20 DTL (DW10FE))		Diesel	FWD	1997	90	122	03.19-12.22	*
2.0		Diesel	FWD	1997	106	144	01.23-04.25	*
2.0 (D 20 DTH (DW10FD))		Diesel	FWD	1997	110	150	03.19-12.22	*
ZAFIRA LIFE (K0) 03.19-					Bus (Minibus-M2-Segment)			
E LIFE (ZKX (ZK01))		Eléctrico	FWD		100	136	09.20-	*
E LIFE		Eléctrico	FWD		100	136	04.24-	*
1.5 (D 15 DT (DV5RUCD))		Diesel	FWD	1499	75	102	03.19-04.25	*
1.5 (D 15 DTH (DV5RUC))		Diesel	FWD	1499	88	120	03.19-04.25	*
2.0 (D 20 DTL (DW10FE))		Diesel	FWD	1997	90	122	08.19-12.22	*
2.0		Diesel	FWD	1997	106	144	09.20-04.25	*
2.0 (D 20 DTH (DW10FD))		Diesel	FWD	1997	110	150	03.19-12.22	*
2.0 4x4 (D 20 DTH (DW10FD))		Diesel	4WD	1997	110	150	03.19-12.22	*
2.0 (D 20 DTR (DW10FDCU))		Diesel	FWD	1997	130	177	03.19-04.25	*
PEUGEOT								
EXPERT III (V_) 04.16-					[CAMBIADO]:Furgón (LCVs-N1 Segment)			
E-EXPERT HYDROGEN		Hidró/elé c.	FWD		100	136	01.23-09.24	*
E-EXPERT HYDROGEN		Hidró/elé c.	FWD		100	136	10.24-	*
E-EXPERT (ZKX (ZK01))		Eléctrico	FWD		100	136	09.20-	*
E-EXPERT		Eléctrico	FWD		100	136	11.23-	*
1.5 BlueHDi 100 (YHR (DV5RUCD))		Diesel	FWD	1499	75	102	06.18-04.25	*
1.5 BlueHDI 120 (YHV (DV5RUC))		Diesel	FWD	1499	88	120	06.18-	*
1.6 BlueHDi 95 (BHV (DV6FDU))		Diesel	FWD	1560	70	95	04.16-12.19	*
1.6 BlueHDi 115 (BHX (DV6FC))		Diesel	FWD	1560	85	116	04.16-12.19	*
2.0 BlueHDi 120 (AHK (DW10FE))		Diesel	FWD	1997	90	122	04.16-12.22	*
2.0 BlueHDi 120 4x4 (AHK (DW10FE))		Diesel	4WD	1997	90	122	04.16-12.22	*
2.0 BlueHDi 145		Diesel	FWD	1997	106	144	08.21-04.25	*
2.0 BlueHDi 150 (AHX (DW10FD))		Diesel	FWD	1997	110	150	04.16-12.22	*
2.0 BlueHDi 150 4x4 (AHX (DW10FD))		Diesel	4WD	1997	110	150	04.16-12.22	*
2.0 BlueHDi 180 (AHH (DW10FC))		Diesel	FWD	1997	130	177	04.16-04.25	*
2.0 BlueHDi 180 (EHZ (DW10FDCU))		Diesel	FWD	1997	130	177	04.16-04.25	*
EXPERT III (V_) 04.16-					Bus (Minibus-M2-Segment)			
E-EXPERT		Eléctrico	FWD		100	136	09.20-10.23	*
E-EXPERT		Eléctrico	FWD		100	136	11.23-	*
1.5 BlueHDi 100 (YHR (DV5RUCD))		Diesel	FWD	1499	75	102	06.18-04.25	*
1.5 BlueHDI 120 (YHV (DV5RUC))		Diesel	FWD	1499	88	120	06.18-04.25	*
1.6 BlueHDi 95 (BHS (DV6FDU))		Diesel	FWD	1560	70	95	04.16-12.19	*
1.6 BlueHDi 95 (BHV (DV6FDU))		Diesel	FWD	1560	70	95	04.16-12.19	*
1.6 BlueHDi 115 (BHX (DV6FCU))		Diesel	FWD	1560	85	116	04.16-12.19	*
2.0 BlueHDi 120 (AHK (DW10FE))		Diesel	FWD	1997	90	122	09.19-12.22	*
2.0 BlueHDi 145		Diesel	FWD	1997	106	144	07.21-04.25	*
2.0 BlueHDi 150 (AHX (DW10FD))		Diesel	FWD	1997	110	150	04.16-12.22	*
2.0 BlueHDi 180 (AHH (DW10FC))		Diesel	FWD	1997	130	177	04.16-04.25	*
2.0 BlueHDi 180 (EHZ (DW10FDCU))		Diesel	FWD	1997	130	177	04.16-04.25	*
EXPERT III (V_) 09.16-					Caja/Chasis (LCVs-N1 Segment)			
E-EXPERT (ZKX (ZK01))		Eléctrico	FWD		100	136	09.20-10.23	*

LISTA DE APLICACIONES - BUYERS GUIDE

E-EXPERT		Eléctrico	FWD		100	136	11.23-	*	
1.6 BlueHDi 95 (BHV (DV6FDU))		Diesel	FWD	1560	70	95	09.16-12.19	*	
2.0 BlueHDi 120		Diesel	FWD	1997	90	122	09.16-12.22	*	
2.0 BlueHDi 145		Diesel	FWD	1997	106	144	01.23-04.25	*	
2.0 BlueHDi 150 (AHX (DW10FD))		Diesel	FWD	1997	110	150	09.16-12.22	*	
TRAVELLER (V_) 04.16-					Bus (Minibus-M2-Segment)				
E-TRAVELLER (ZKX (ZK01))		Eléctrico	FWD		100	136	09.20-10.23	*	
E-TRAVELLER		Eléctrico	FWD		100	136	11.23-	*	
1.5 BlueHDi 100 (YHR (DV5RUCD))		Diesel	FWD	1499	75	102	06.18-04.25	*	
1.5 BlueHDi 120 (YHV (DV5RUC))		Diesel	FWD	1499	88	120	06.18-04.25	*	
1.6 HDi 90		Diesel	FWD	1560	66	90	07.18-	*	
1.6 BlueHDi 95 (BHS (DV6FDU))		Diesel	FWD	1560	70	95	04.16-12.19	*	
1.6 BlueHDi 95 (BHV (DV6FDU))		Diesel	FWD	1560	70	95	04.16-12.19	*	
1.6 BlueHDi 115 (BHX (DV6FCU))		Diesel	FWD	1560	85	116	04.16-12.19	*	
2.0 BlueHDi 120 (AHK (DW10FE))		Diesel	FWD	1997	90	122	09.19-12.22	*	
2.0 BlueHDi 145 (EHS (DW10FDDU370))		Diesel	FWD	1997	106	144	09.20-04.25	*	
2.0 BlueHDi 145 (EHT (DW10FDDU340))		Diesel	FWD	1997	106	144	09.20-04.25	*	
2.0 BlueHDi 150 / HDi 150 4x4 (AHX (DW10FD))		Diesel	FWD	1997	110	150	04.16-12.22	*	
2.0 BlueHDi 150 / HDi 150 4x4 (AHX (DW10FD))		Diesel	4WD	1997	110	150	04.16-12.22	*	
2.0 BlueHDi 180 (AHH (DW10FC))		Diesel	FWD	1997	130	177	04.16-04.25	*	
2.0 BlueHDi 180 (EHZ (DW10FDCU))		Diesel	FWD	1997	130	177	04.16-04.25	*	
TOYOTA									
PROACE II (MDZ_) 02.16-					[CAMBIADO]:Furgón (LCVs-N1 Segment)				
Electric (MDZS, MDZZ) (ZKX (ZK01))		Eléctrico	FWD		100	136	09.20-12.23	*	
Electric (MDZS, MDZZ)		Eléctrico	FWD		100	136	01.24-	*	
1.5 D4d (MDZ8) (5WZ-TV (DV5RUCD))		Diesel	FWD	1499	75	102	05.19-04.25	*	
1.5 D4d (MDZ1) (5WZ-HV (DV5RUC))		Diesel	FWD	1499	88	120	05.19-	*	
1.6 D4d (MDZ9) (3WZ-TV)		Diesel	FWD	1560	70	95	02.16-04.20	*	
1.6 D4d (MDZ2) (3WZ-HV)		Diesel	FWD	1560	85	116	02.16-04.20	*	
2.0 D4d (MDZ3) (4WZ-FTV)		Diesel	FWD	1997	90	122	02.16-12.22	*	
2.0 D4d (MDZA)		Diesel	FWD	1997	106	144	08.21-04.25	*	
2.0 D4d (MDZ4) (4WZ-FTV)		Diesel	FWD	1997	110	150	02.16-12.22	*	
2.0 D4d 4x4 (MDZ4) (4WZ-FTV)		Diesel	4WD	1997	110	150	04.18-12.22	*	
2.0 D4d (MDZ6, MDZ5) (4WZ-FHV)		Diesel	FWD	1997	130	177	02.16-04.25	*	
PROACE II (MPY_) 02.16-					Bus (Minibus-M2-Segment)				
Electric (MPYS, MPYZ)		Eléctrico	FWD		100	136	01.21-12.23	*	
Electric (MPYS, MPYZ)		Eléctrico	FWD		100	136	01.24-	*	
1.5 D4d (MPY8) (5WZ-TV (DV5RUCD))		Diesel	FWD	1499	75	102	08.18-04.25	*	
1.5 D4d (MPY1) (5WZ-HV (DV5RUC))		Diesel	FWD	1499	88	120	08.18-04.25	*	
1.6 D4d (MPY9) (3WZ-TV)		Diesel	FWD	1560	70	95	02.16-04.20	*	
1.6 D4d (MPY2) (3WZ-HV)		Diesel	FWD	1560	85	116	02.16-04.20	*	
2.0 D4d (MPY3) (4WZ-FTV)		Diesel	FWD	1997	90	122	11.19-12.22	*	
2.0 D4d (MPYA)		Diesel	FWD	1997	106	144	09.20-04.25	*	
2.0 D4d (MPY4) (4WZ-FTV)		Diesel	FWD	1997	110	150	02.16-12.22	*	
2.0 D4d 4x4 (MPY4) (4WZ-FTV)		Diesel	4WD	1997	110	150	04.18-12.22	*	
2.0 D4d (MPY6, MPY5) (4WZ-FHV)		Diesel	FWD	1997	130	177	02.16-04.25	*	
PROACE II (MDZ_) 02.16-					Caja/Chasis (LCVs-N1 Segment)				
Electric (MDZS, MDZZ)		Eléctrico	FWD		100	136	04.21-12.23	*	
Electric (MDZS, MDZZ)		Eléctrico	FWD		100	136	01.24-	*	
1.6 D4d (MDZ9) (3WZ-TV)		Diesel	FWD	1560	70	95	02.16-12.19	*	

LISTA DE APLICACIONES - BUYERS GUIDE

2.0 D4d (MDZ3) (4WZ-FTV)		Diesel	FWD	1997	90	122	02.16-12.22	*	
2.0 D4d (MDZA)		Diesel	FWD	1997	106	144	08.21-04.25	*	
2.0 D4d (MDZ4) (4WZ-FTV)		Diesel	FWD	1997	110	150	02.16-12.22	*	
PROACE II CITY (BPZ_) 10.19-					Furgoneta/MPV (LCVs-N1 Segment)				
1.2 VVT-i 110 (BPZN) (EB2ADT)		Gasolina	FWD	1199	81	110	10.19-	*	
1.2 VVT-i 130 (BPZN) (EB2ADTS)		Gasolina	FWD	1199	96	131	10.19-	*	
1.5 D-4D 75 (BPZM) (DV5RE)		Diesel	FWD	1499	55	75	10.19-	*	
1.5 D-4D 100 (BPZM) (DV5RD)		Diesel	FWD	1499	75	102	10.19-	*	
1.5 D-4D 130 (BPZM) (DV5RC)		Diesel	FWD	1499	96	131	10.19-	*	
PROACE II CITY VERSO (BKY_) 10.19-					MPV (Large MPV-M1 Segment)				
1.2 VVT-i 110 (BKYN) (EB2ADT)		Gasolina	FWD	1199	81	110	10.19-	*	
1.2 VVT-i 130 (BKYN) (EB2ADTS)		Gasolina	FWD	1199	96	131	10.19-	*	
1.5 D-4D 100 (BKYM) (DV5RD)		Diesel	FWD	1499	75	102	10.19-	*	
1.5 D-4D 130 (BKYM) (DV5RC)		Diesel	FWD	1499	96	131	10.19-	*	
PROACE II VERSO (MPY_) 02.16-					Bus (Minibus-M2-Segment)				
Electric (MPYS, MPYZ)		Eléctrico	FWD		100	136	01.21-12.23	*	
Electric (MPYS, MPYZ)		Eléctrico	FWD		100	136	01.24-	*	
1.5 D4d (MPY8) (5WZ-TV (DV5RUCD))		Diesel	FWD	1499	75	102	06.18-04.25	*	
1.5 D4d (MPY1) (5WZ-HV (DV5RUC))		Diesel	FWD	1499	88	120	06.18-04.25	*	
1.6 D4d (MPY9) (3WZ-TV)		Diesel	FWD	1560	70	95	02.16-12.19	*	
1.6 D4d (MPY2) (3WZ-HV)		Diesel	FWD	1560	85	116	02.16-04.20	*	
2.0 D4d (MPY3) (4WZ-FTV)		Diesel	FWD	1997	90	122	11.19-12.22	*	
2.0 D4d (MPYA)		Diesel	FWD	1997	106	144	09.20-04.25	*	
2.0 D4d (MPY4) (4WZ-FTV)		Diesel	FWD	1997	110	150	02.16-12.22	*	
2.0 D4d 4x4 (MPY4) (4WZ-FTV)		Diesel	4WD	1997	110	150	04.18-12.22	*	
2.0 D4d (MPY6, MPY5) (4WZ-FHV)		Diesel	FWD	1997	130	177	02.16-04.25	*	
VAUXHALL									
VIVARO III (C) (K0) 03.19-					[CAMBIADO]:Furgón (LCVs-N1 Segment)				
VIVARO-E		Eléctrico	FWD		100	136	09.20-03.24	*	
1.5 (D 15 DT (DV5RUCD))		Diesel	FWD	1499	75	102	03.19-05.25	*	
1.5 (D 15 DTH (DV5RUC))		Diesel	FWD	1499	88	120	03.19-	*	
1.5 4x4 (D 15 DTH (DV5RUC))		Diesel	4WD	1499	88	120	03.19-	*	
2.0 (D 20 DTL (DW10FE))		Diesel	FWD	1997	90	122	03.19-04.22	*	
2.0		Diesel	FWD	1997	106	144	08.21-05.25	*	
2.0 (D 20 DTH (DW10FD))		Diesel	FWD	1997	110	150	03.19-09.21	*	
2.0 4x4 (D 20 DTH (DW10FD))		Diesel	4WD	1997	110	150	03.19-09.21	*	
2.0 (D 20 DTR (DW10FDCU))		Diesel	FWD	1997	130	177	03.19-05.25	*	
VIVARO III (C) (K0) 03.19-					Caja/Chasis (LCVs-N1 Segment)				
VIVARO-E		Eléctrico	FWD		100	136	04.23-03.24	*	
2.0 (D 20 DTL (DW10FE))		Diesel	FWD	1997	90	122	03.19-03.23	*	
2.0		Diesel	FWD	1997	106	144	04.23-05.25	*	
VIVARO LIFE (K0) 03.19-					Bus (Minibus-M2-Segment)				
E LIFE (ZKX (ZK01))		Eléctrico	FWD		100	136	09.20-07.24	*	
1.5 (D 15 DT (DV5RUCD))		Diesel	FWD	1499	75	102	03.19-09.22	*	
1.5 (D 15 DTH (DV5RUC))		Diesel	FWD	1499	88	120	03.19-09.22	*	
2.0		Diesel	FWD	1997	106	144	09.20-09.22	*	
2.0 (D 20 DTH (DW10FD))		Diesel	FWD	1997	110	150	03.19-09.21	*	
2.0 4x4 (D 20 DTH (DW10FD))		Diesel	4WD	1997	110	150	03.19-09.21	*	
2.0 (D 20 DTR (DW10FDCU))		Diesel	FWD	1997	130	177	03.19-09.22	*	

LISTA DE APLICACIONES - BUYERS GUIDE