

LISTA DE APLICACIONES - BUYERS GUIDE

RB2290

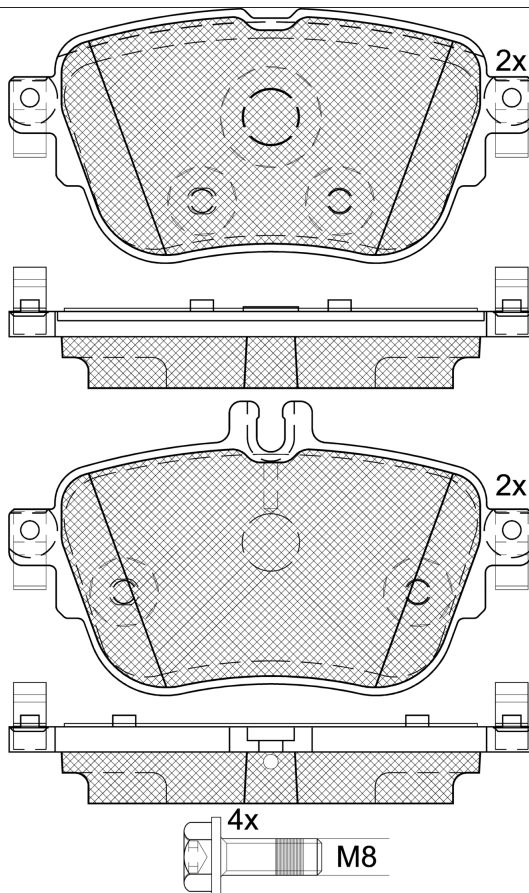


8 424073 174062

Qty: 300

Weight: 1.345

O.E.M.	MAKE
000 420 60 00	MERCEDES-BENZ
000 420 61 00	MERCEDES-BENZ
000 420 68 05	MERCEDES-BENZ
000 420 92 03	MERCEDES-BENZ
000 420 93 03	MERCEDES-BENZ
000 420 97 00	MERCEDES-BENZ
000 420 98 00	MERCEDES-BENZ



1-Ref. 690173 E

RB2290

E 9 90R-02A0111/4609



Trw

114.1x55.5x17.4
114.1x64.1x17.4

VWA	FMSI
22437	D1936-9161
22438	D2163-9406

Sin Filas



Trac.	CC	Kw	CV
-------	----	----	----



Front / Rear

MERCEDES-BENZ

CLS-Class III (C257) 12.17-

Coupé (Executive car-E Segment)

CLS 300 (257.348)	Gasolina	RWD	1991	190	258	07.18-	*
CLS 260 eq Boost (257.344)	Gasol./el éc.	RWD	1497	135	184	05.20-	*
CLS 300 d 4-matic (257.319)	Diesel/el éc.	4WD	1992	195	265	04.21-	*
CLS 220 d (257.314) (OM 654.920)	Diesel	RWD	1950	143	194	06.18-	*
CLS 300 d (257.318) (OM 654.920)	Diesel	RWD	1950	180	245	04.18-	*

E-Class V (A238) 06.17-

Cabrió (Executive car-E Segment)

E 200 (238.442) (M 274.920)	Gasolina	RWD	1991	135	184	06.17-	*
E 200 4-matic (238.443) (M 274.920)	Gasolina	4WD	1991	135	184	10.17-	*
E 300 (238.448) (M 274.920)	Gasolina	RWD	1991	180	245	06.17-	*
E 300 (238.483) (M 264.920)	Gasolina	RWD	1991	190	258	03.19-	*
E 260 EQ Boost (238.477)	Gasol./el éc.	RWD	1497	135	184	12.19-	*
E 260 EQ Boost 4-matic (238.478)	Gasol./el éc.	4WD	1497	135	184	12.19-	*
E 200 EQ Boost (238.480) (M 264.920)	Gasol./el éc.	RWD	1991	145	197	06.19-	*
E 200 EQ Boost 4-matic (238.487) (M 264.920)	Gasol./el éc.	4WD	1991	145	197	06.19-	*
E 300 EQ Boost (238.483) (M 264.920)	Gasol./el éc.	RWD	1991	190	258	06.19-	*
E 350 EQ Boost (238.485) (M 264.920)	Gasol./el éc.	RWD	1991	220	299	10.17-	*
E 300 d 4-matic (238.419)	Diesel/el éc.	4WD	1992	195	265	04.21-	*
E 220 d (238.414) (OM 654.920)	Diesel	RWD	1950	120	163	06.17-	*
E 220 d (238.414) (OM 654.920)	Diesel	RWD	1950	143	194	06.17-	*

LISTA DE APLICACIONES - BUYERS GUIDE

E 220 d 4-matic (238.415) (OM 654.920)	Diesel	4WD	1950	143	194	10.17-	*
E 300 d (238.418) (OM 654.920)	Diesel	RWD	1950	180	245	05.18-	*
E-Class V (C238) 12.16-				Coupé (Executive car-E Segment)			
E 200 (238.342) (M 274.920)	Gasolina	RWD	1991	135	184	12.16-	*
E 200 4-matic (238.343) (M 274.920)	Gasolina	4WD	1991	135	184	06.17-	*
E 300 (238.348) (M 274.920)	Gasolina	RWD	1991	180	245	12.16-	*
E 300 (238.383) (M 264.920)	Gasolina	RWD	1991	190	258	08.18-	*
E 350 4matic (238.386)	Gasolina	4WD	1991	220	299	09.18-	*
E 260 EQ Boost (238.377)	Gasol./el éc.	RWD	1497	135	184	12.19-	*
E 260 EQ Boost 4_matic (238.378)	Gasol./el éc.	4WD	1497	135	184	12.19-	*
E 200 EQ Boost (238.380) (M 264.920)	Gasol./el éc.	RWD	1991	145	197	06.19-	*
E 200 EQ Boost 4-matic (238.487) (M 264.920)	Gasol./el éc.	4WD	1991	145	197	06.19-	*
E 300 EQ Boost (238.383) (M 264.920)	Gasol./el éc.	RWD	1991	190	258	06.19-	*
E 350 EQ Boost (238.385) (M 264.920)	Gasol./el éc.	RWD	1991	220	299	10.17-	*
E 300 d 4-matic (238.319)	Diesel/el éc.	4WD	1992	195	265	01.21-	*
E 220 d (238.314)	Diesel	RWD	1950	120	163	12.16-	*
E 220 d (238.314) (OM 654.920)	Diesel	RWD	1950	143	194	12.16-	*
E 220 d 4-matic (238.315) (OM 654.920)	Diesel	4WD	1950	143	194	03.17-	*
E 300 d (238.318) (OM 654.920)	Diesel	RWD	1950	180	245	05.18-	*
E-Class V (W213) 01.16-				Sedán (Executive car-E Segment)			
E 180 (213.076)	Gasolina	RWD	1497	115	156	07.19-10.23	*
E 180 (213.040) (M 274.910)	Gasolina	RWD	1595	115	156	01.16-06.19	*
E 200 (213.042) (M 274.920)	Gasolina	RWD	1991	135	184	01.16-05.19	*
E 200 4-matic (213.043) (M 274.920)	Gasolina	4WD	1991	135	184	07.16-06.19	*
E 200 (213.080) (M 264.920)	Gasolina	RWD	1991	145	197	10.18-10.23	*
E 250 (213.045) (M 274.920)	Gasolina	RWD	1991	155	211	07.16-10.23	*
E 300 (213.048) (M 274.920)	Gasolina	RWD	1991	180	245	07.16-06.20	*
E 300 4-matic (213.049)	Gasolina	4WD	1991	180	245	01.16-06.20	*
E 300 (213.048, 213.083) (M 274.920)	Gasolina	RWD	1991	190	258	02.19-10.23	*
E 300 (213.083) (M 264.920)	Gasolina	RWD	1991	190	258	04.19-10.23	*
E 260 EQ Boost 4-matic (238.478)	Gasol./el éc.	4WD	1497	135	184	04.19-	*
E 200 EQ Boost (213.080) (M 264.920)	Gasol./el éc.	RWD	1991	145	197	06.19-10.23	*
E 200 EQ Boost 4-matic (238.487) (M 264.920)	Gasol./el éc.	4WD	1991	145	197	06.19-10.23	*
E 300 EQ Boost (213.083) (M 264.920)	Gasol./el éc.	RWD	1991	190	258	06.19-10.23	*
E 220 d (213.004)	Diesel/el éc.	RWD	1992	147	200	02.22-10.23	*
E 220 d 4-matic (213.005)	Diesel/el éc.	4WD	1992	147	200	02.22-10.23	*
E 300 d 4-matic (213.019)	Diesel/el éc.	4WD	1992	195	265	01.21-10.23	*
E 200 d (213.012) (OM 654.916)	Diesel	RWD	1598	118	160	11.18-08.23	*
E 200 d (213.013) (OM 654.920)	Diesel	RWD	1950	110	150	07.16-06.20	*
E 220 d (213.004) (OM 654.920)	Diesel	RWD	1950	120	163	01.16-10.23	*
E 220 d 4-matic (213.005) (OM 654.920)	Diesel	4WD	1950	120	163	10.16-10.23	*
E 220 d (213.004) (OM 654.920)	Diesel	RWD	1950	143	194	01.16-10.23	*
E 220 d 4-matic (213.005) (OM 654.920)	Diesel	4WD	1950	143	194	10.16-10.23	*
E 300 d (213.008) (OM 654.920)	Diesel	RWD	1950	180	245	12.17-06.20	*

LISTA DE APLICACIONES - BUYERS GUIDE

E-Class V All-Terrain (S213) 01.17-					[CAMBIADO]:Break (Executive car-E Segment)			
E 200 EQ Boost (213.279) (M 264.920)	Gasol./el éc.	4WD	1991	145	197	08.20-08.23	*	
E 220 d 4-matic (213.205)	Diesel/el éc.	4WD	1992	147	200	02.22-10.23	*	
E 220 d 4-matic (213.217) (OM 654.920)	Diesel	4WD	1950	143	194	01.17-10.23	*	
E-Class V T-Model (S213) 07.16-					[CAMBIADO]:Break (Executive car-E Segment)			
E 200 (213.242) (M 274.920)	Gasolina	RWD	1991	135	184	07.16-06.20	*	
E 200 4-matic (213.243) (M 274.920)	Gasolina	4WD	1991	135	184	01.17-06.19	*	
E 250 (213.245) (M 274.920)	Gasolina	RWD	1991	155	211	07.16-11.18	*	
E 200 EQ Boost (213.280) (M 264.920)	Gasol./el éc.	RWD	1991	145	197	06.19-10.23	*	
E 200 EQ Boost 4-matic (238.487) (M 264.920)	Gasol./el éc.	4WD	1991	145	197	06.19-10.23	*	
E 300 EQ Boost (213.283) (M 264.920)	Gasol./el éc.	RWD	1991	190	258	06.19-10.23	*	
E 220 d (213.204)	Diesel/el éc.	RWD	1992	147	200	02.22-10.23	*	
E 220 d 4-matic (213.205)	Diesel/el éc.	4WD	1992	147	200	02.22-10.23	*	
E 300 d 4-matic (213.219)	Diesel/el éc.	4WD	1992	195	265	01.21-10.23	*	
E 200 d (213.212) (OM 654.916)	Diesel	RWD	1597	118	160	11.18-08.23	*	
E 200 d (213.213) (OM 654.920)	Diesel	RWD	1950	110	150	10.16-06.19	*	
E 220 d (213.204) (OM 654.920)	Diesel	RWD	1950	120	163	07.16-10.23	*	
E 220 d (213.204) (OM 654.920)	Diesel	RWD	1950	143	194	07.16-10.23	*	
E 220 d (213.206) (OM 654.920)	Diesel	RWD	1950	143	194	09.20-	*	
E 220 d 4-matic (213.205) (OM 654.920)	Diesel	4WD	1950	143	194	01.17-10.23	*	
E 300 d (213.208) (OM 654.920)	Diesel	RWD	1950	180	245	12.17-06.20	*	
MERCEDES-BENZ (BBDC)								
E-Class (W213) 01.16-					Sedán (Executive car-E Segment)			
E 200 (213.042)	Gasolina	RWD	1991	135	184	01.16-	*	
E 200 4-matic (213.043)	Gasolina	4WD	1991	135	184	11.16-	*	
E 200 L	Gasolina	FWD	1991	135	184	11.16-	*	
E 200 L 4-matic	Gasolina	FWD	1991	135	184	11.16-	*	
E 300 (213.048)	Gasolina	RWD	1991	180	245	11.16-	*	
E 300 L	Gasolina	FWD	1991	180	245	08.16-	*	
E 300 L (213.183)	Gasolina	RWD	1991	190	258	03.19-	*	
E 260 L EQ Boost (213.177)	Gasol./el éc.	RWD	1497	135	184	03.19-	*	
E 260 L EQ Boost 4-matic (213.178)	Gasol./el éc.	4WD	1497	135	184	03.19-	*	
MG								
MG F (RD) 03.95-03.02					Cabrío (Sports car-S Segment)			
1.8 i VVC (18 K4K)	Gasolina	RWD	1796	107	146	03.95-03.02	*	