

LISTA DE APLICACIONES - BUYERS GUIDE

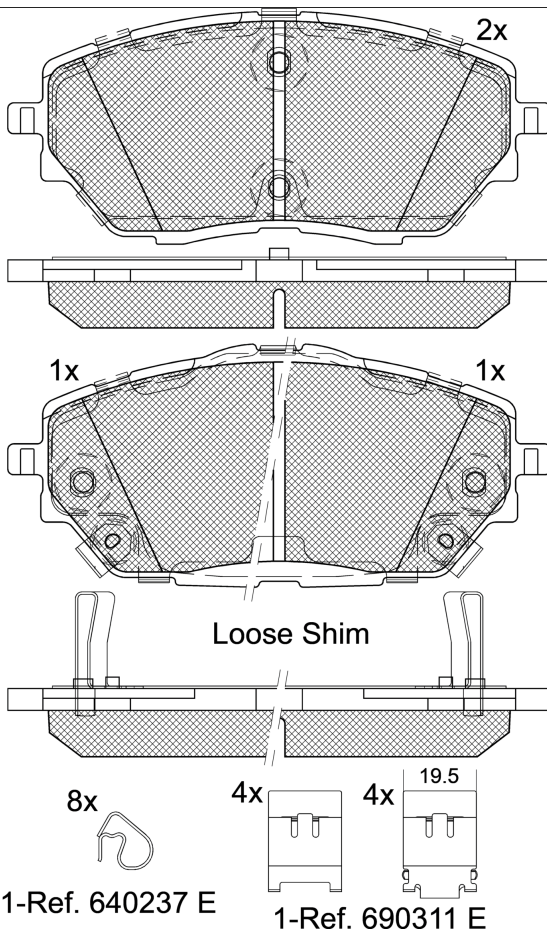
RB2287



Qty: 300

Weight: 1.960

| O.E.M. | MAKE |
|-------------|--------|
| 04465-F4010 | TOYOTA |
| 04465-F4020 | TOYOTA |
| 04465-F4021 | TOYOTA |
| 04465-F4040 | TOYOTA |



1-Ref. 640237 E

1-Ref. 690311 E

RB2287



90R-02A0111/4967



Chassis Brake Int. (Bosch)

141.3x60.5x19

141.3x63.3x19

| WVA | FMSI |
|-------|------------|
| 22782 | D2065-9297 |
| 22783 | |
| 22784 | |
| 22817 | |
| 22818 | |

Sin Filas



| Trac. | CC | Kw | CV |
|-------|----|----|----|
|-------|----|----|----|



Front / Rear

TOYOTA

C-HR (_X1_) 10.16-

SUV (Compact SUV-J Segment)

| | | | | | | | |
|---|---------------|-----|------|-----|-----|--------|---|
| 1.2 (NGX10_, NGX10R) (8NR-FTS) | Gasolina | FWD | 1197 | 85 | 116 | 10.16- | * |
| 1.2 4WD (NGX50_, NGX50R) (8NR-FTS) | Gasolina | 4WD | 1197 | 85 | 116 | 10.16- | * |
| 1.2 4WD (NGX50) (8NR-FTS) | Gasolina | 4WD | 1197 | 96 | 131 | 10.16- | * |
| 1.8 (ZGX11) (2ZR-FBE) | Gasolina | FWD | 1798 | 103 | 140 | 11.16- | * |
| 2.0 (ZGX10) | Gasolina | FWD | 1987 | 106 | 144 | 02.17- | * |
| 2.0 (ZGX10_) (3ZR-FAE) | Gasolina | FWD | 1987 | 109 | 148 | 11.16- | * |
| 2.0 (ZGX10) | Gasolina | FWD | 1987 | 110 | 150 | 10.16- | * |
| 1.8 Hybrid (ZYG10_, ZYG11_, ZYG10R, ZYG11R) (2ZR-FXE) | Gasol./el éc. | FWD | 1798 | 72 | 98 | 10.16- | * |
| 1.8 Hybrid (ZYG10_, ZYG11_, ZYG10R, ZYG11R) (2ZR-FXE) | Gasol./el éc. | FWD | 1798 | 90 | 122 | 10.16- | * |
| Hybrid (ZYG20) | Gasol./el éc. | FWD | 1798 | 103 | 140 | 10.23- | * |
| 2.0 Hybrid (MAXH10) (M20A-FXS) | Gasol./el éc. | FWD | 1987 | 82 | 112 | 10.19- | * |
| 2.0 Hybrid (MAXH10) (M20A-FXS) | Gasol./el éc. | FWD | 1987 | 135 | 184 | 10.19- | * |
| Hybrid (MAXH20) | Gasol./el éc. | FWD | 1987 | 145 | 197 | 10.23- | * |
| PHEV (MAXH21) | Gasol./el éc. | FWD | 1987 | 164 | 223 | 01.24- | * |

C-HR VAN (_X1_) 10.16-

Furgoneta/SUV (Compact SUV-J Segment)

| | | | | | | | |
|---------------------------|---------------|-----|------|----|-----|--------|---|
| 1.8 Hybrid (ZYG10, ZYG11) | Gasol./el éc. | FWD | 1798 | 90 | 122 | 10.16- | * |
|---------------------------|---------------|-----|------|----|-----|--------|---|

COROLLA XII (_E21_) 02.19-

[CAMBIADO]:Break (Compact car-C Segment)

| | | | | | | | |
|--------------------------------|---------------|-----|------|-----|-----|--------|---|
| 2.0 Hybrid (MZEH12) (M20A-FXS) | Gasol./el éc. | FWD | 1987 | 132 | 180 | 02.19- | * |
|--------------------------------|---------------|-----|------|-----|-----|--------|---|

LISTA DE APLICACIONES - BUYERS GUIDE

| | | | | | | | |
|---|------------------|-----|------|--|-----|--------|---|
| 2.0 Hybrid (MZEH12) | Gasol./el éc. | FWD | 1987 | 135 | 184 | 05.21- | * |
| 2.0 Hybrid (MZEH19) | Gasol./el éc. | FWD | 1987 | 144 | 196 | 01.23- | * |
| COROLLA XII (_E21_, _EA1_, _EH1_) 10.18- | | | | [CAMBIADO]:Fastback (Compact car-C Segment) | | | |
| 2.0 Hybrid (MZEH12) (M20A-FXS) | Gasol./el éc. | FWD | 1987 | 132 | 180 | 02.19- | * |
| 2.0 Hybrid (MZEH12) | Gasol./el éc. | FWD | 1987 | 135 | 184 | 05.21- | * |
| 2.0 Hybrid (MZEH19) | Gasol./el éc. | FWD | 1987 | 144 | 196 | 01.23- | * |