

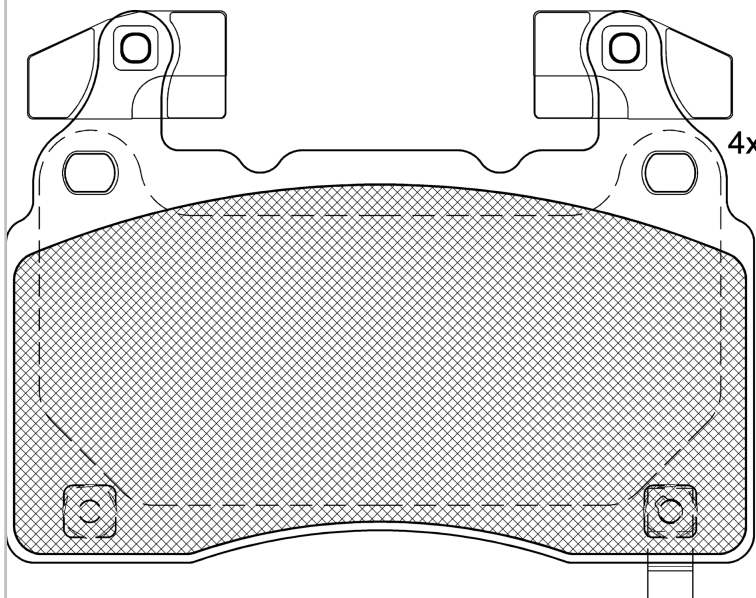
LISTA DE APLICACIONES - BUYERS GUIDE

RB2286



Qty: 300

Weight: 2.715



RB2286

E 9 90R-02A0111/4893



Brembo

131.8x97.1x15.6

WVA

25915

FMSI

D1474-8673

Sin Filas

O.E.M.	MAKE
2 344 130 7	VAUXHALL
2290 7156	CHEVROLET
2297 6409	CHEVROLET
23 441 307	OPEL
2344 1307	CHEVROLET
6006429-00-B	Tesla
84732488	CHEVROLET
85115094	CHEVROLET
9224 4289	CHEVROLET
9227 7173	CHEVROLET
9229 1022	CHEVROLET



Trac.	CC	Kw	CV
-------	----	----	----



Front / Rear

BUICK (SGM)

REGAL III (EG7) 07.17-					Sedán (Large family car-D Segment)			
20t	Gasolina	FWD	1490	125	170	07.17-	*	
28T	Gasolina	FWD	10998	192	261	07.17-	*	
30 H	Gasol./el éc.	FWD	1796	94	128	07.17-	*	

CADILLAC

CT6 11.15-					Sedán (Luxury car-F Segment)			
2.0 Turbo	Gasolina	RWD	1998	198	269	08.16-12.19	*	
2.0 Turbo	Gasolina	FWD	1998	203	276	11.15-	*	
2.0 Turbo	Gasolina	FWD	1998	203	276	11.15-	*	
3.0 Turbo	Gasolina	FWD	2990	298	405	11.15-	*	
3.0 Turbo AWD (LGW)	Gasolina	4WD	2990	298	405	11.15-12.19	*	
3.0 Turbo AWD (LGW)	Gasolina	4WD	2990	301	409	08.16-12.19	*	
3.0 Turbo AWD (LGW)	Gasolina	4WD	2990	307	418	01.16-12.19	*	
3.6	Gasolina	FWD	3564	250	340	11.15-	*	
3.6 AWD (LGX)	Gasolina	4WD	3649	250	340	11.15-12.20	*	

CTS III 09.13-					Sedán (Executive car-E Segment)			
2.0 Turbo	Gasolina	RWD	1998	198	269	08.16-	*	
2.0 Turbo AWD	Gasolina	4WD	1998	198	269	08.16-	*	
2.0 Turbo	Gasolina	RWD	1998	200	272	08.16-	*	
2.0 Turbo AWD	Gasolina	4WD	1998	200	272	08.16-	*	
2.0 Turbo (LTG)	Gasolina	RWD	1998	203	276	09.13-	*	
2.0 Turbo AWD (LTG)	Gasolina	4WD	1998	203	276	01.14-	*	

LISTA DE APLICACIONES - BUYERS GUIDE

XTS (1P5) 09.11-					Sedán (Luxury car-F Segment)			
3.6 (LFX)		Gasolina	FWD	3564	227	309	09.11-	*
CHEVROLET								
CAMARO V 01.11-					Cabrió (Pony car-F Segment)			
6.2 (L99(376CUV8))		Gasolina	RWD	6162	298	405	01.11-	*
6.2 (LS3(376CUV8))		Gasolina	RWD	6162	318	432	01.11-	*
CAMARO V 02.09-12.15					Coupé (Pony car-F Segment)			
6.2		Gasolina	RWD	6162	295	401	03.12-12.15	*
6.2 (L99(376CUV8))		Gasolina	RWD	6162	298	405	09.09-12.15	*
6.2 (LS3(376CUV8))		Gasolina	RWD	6162	318	432	09.09-12.15	*
CAMARO VI 09.15-					Cabrió (Pony car-F Segment)			
2.0 Turbo (LTG)		Gasolina	RWD	1998	202	275	08.16-	*
3.6 (LGX)		Gasolina	RWD	3649	250	340	05.16-	*
6.2 (LT1(376CUV8))		Gasolina	RWD	6162	333	453	06.16-	*
6.2 (LT1(376CUV8))		Gasolina	RWD	6162	339	461	01.16-	*
CAMARO VI 09.15-					Coupé (Pony car-F Segment)			
2.0 Turbo		Gasolina	RWD	1998	175	238	01.16-	*
2.0 Turbo (LTG)		Gasolina	RWD	1998	202	275	08.16-	*
6.2 (LT1(376CUV8))		Gasolina	RWD	6162	333	453	06.16-	*
6.2 (LT1(376CUV8))		Gasolina	RWD	6162	339	461	09.15-	*
CORVETTE VII (C7) 09.13-					Cabrió (Sports car-S Segment)			
6.2 (LT1(376CUV8))		Gasolina	RWD	6162	339	461	09.13-11.19	*
6.2 (LT1(376CUV8))		Gasolina	RWD	6162	343	466	04.14-12.19	*
CORVETTE VII (C7) 09.13-					Coupé (Sports car-S Segment)			
6.2		Gasolina	RWD	6162	336	457	09.13-11.19	*
6.2 (LT1(376CUV8))		Gasolina	RWD	6162	339	461	09.13-11.19	*
6.2 (LT1(376CUV8))		Gasolina	RWD	6162	343	466	04.14-12.19	*
SS 09.13-					Sedán (Luxury car-F Segment)			
6.2		Gasolina	FWD	6162	309	420	09.13-	*
HOLDEN								
COMMODORE (ZB) 10.17-					[CAMBIADO]:Break (Executive car-E Segment)			
2.0		Gasolina	FWD	1998	191	260	10.17-	*
3.6 V6		Gasolina	FWD	3640	235	320	10.17-	*
COMMODORE (ZB) 10.17-					[CAMBIADO]:Fastback (Executive car-E Segment)			
2.0		Gasolina	FWD	1998	191	260	10.17-	*
3.6 V6		Gasolina	FWD	3640	235	320	10.17-	*
2.0 D		Diesel	FWD	1956	125	170	10.17-	*
2.0 D		Diesel	FWD	1956	125	170	10.17-	*
OPEL								
INSIGNIA B Country Tourer (Z18) 06.17-					[CAMBIADO]:Break (Executive car-E Segment)			
1.5 (47) (B 15 SFT)		Gasolina	FWD	1490	121	165	06.17-	*
1.5 (47) (D 15 SFT)		Gasolina	FWD	1490	121	165	06.17-	*
1.6 Turbo (47) (D 16 SHT)		Gasolina	FWD	1598	147	200	06.18-	*
2.0 4x4 (47) (B 20 NFT)		Gasolina	4WD	1998	191	260	06.17-	*
2.0 4x4 (47) (D 20 NFT)		Gasolina	4WD	1998	191	260	06.17-	*
2.0 CDTi (47) (D 20 DTH)		Diesel	FWD	1956	125	170	06.17-	*

LISTA DE APLICACIONES - BUYERS GUIDE

2.0 CDTi 4x4 (47) (D 20 DTH)		Diesel	4WD	1956	125	170	06.17-	*
2.0 BiTurbo Diesel 4x4 (68) (D 20 DTR)		Diesel	4WD	1956	154	210	01.18-	*
INSIGNIA B Grand Sport (Z18) 03.17-					[CAMBIADO]:Fastback (Executive car-E Segment)			
1.4 Turbo (68) (F 14 SHL)		Gasolina	FWD	1342	107	145	04.20-	*
1.4 Turbo (68) (F 14 SHT)		Gasolina	FWD	1342	107	145	04.20-	*
1.5 (68) (B 15 SFL)		Gasolina	FWD	1490	103	140	03.17-	*
1.5 (68) (D 15 SFL)		Gasolina	FWD	1490	103	140	03.17-	*
1.5 (68) (B 15 SFT)		Gasolina	FWD	1490	121	165	03.17-	*
1.5 (68) (D 15 SFT)		Gasolina	FWD	1490	121	165	03.17-	*
1.6 Turbo (68) (D 16 SHT)		Gasolina	FWD	1598	147	200	06.18-	*
2.0 (68)		Gasolina	FWD	1998	147	200	04.20-	*
2.0 GSi 4x4 (68)		Gasolina	4WD	1998	169	230	04.20-	*
2.0 4x4 (68) (B 20 NFT)		Gasolina	4WD	1998	191	260	03.17-	*
2.0 4x4 (68) (D 20 NFT)		Gasolina	4WD	1998	191	260	03.17-	*
1.5 CDTi (68) (F 15 DVH)		Diesel	FWD	1496	90	122	02.20-	*
1.6 CDTi (68) (B 16 DTE)		Diesel	FWD	1598	81	110	03.17-	*
1.6 CDTi (68) (D 16 DTE)		Diesel	FWD	1598	81	110	03.17-	*
1.6 CDTi (68) (D 16 DTN)		Diesel	FWD	1598	81	110	03.17-	*
1.6 CDTi (68) (B 16 DTH)		Diesel	FWD	1598	100	136	03.17-	*
1.6 CDTi (68) (D 16 DTH)		Diesel	FWD	1598	100	136	03.17-	*
2.0 CDTi (68) (B 20 DTH)		Diesel	FWD	1956	125	170	03.17-	*
2.0 CDTi (68) (D 20 DTH)		Diesel	FWD	1956	125	170	03.17-	*
2.0 CDTi 4x4 (68) (D 20 DTH)		Diesel	4WD	1956	125	170	03.17-	*
2.0 CDTi (68)		Diesel	FWD	1956	128	174	04.20-	*
2.0 CDTi 4x4 (68)		Diesel	4WD	1956	128	174	04.20-	*
2.0 BiTurbo Diesel 4x4 (68) (D 20 DTR)		Diesel	4WD	1956	154	210	03.17-	*
INSIGNIA B Sports Tourer (Z18) 03.17-					[CAMBIADO]:Break (Executive car-E Segment)			
1.5 (35) (B 15 SFL)		Gasolina	FWD	1490	103	140	03.17-	*
1.5 (35) (D 15 SFL)		Gasolina	FWD	1490	103	140	03.17-	*
1.5 (35) (B 15 SFT)		Gasolina	FWD	1490	121	165	03.17-	*
1.5 (35) (D 15 SFT)		Gasolina	FWD	1490	121	165	03.17-	*
1.6 Turbo (35) (D 16 SHT)		Gasolina	FWD	1598	147	200	06.18-	*
2.0 (35)		Gasolina	FWD	1998	147	200	04.20-	*
2.0 4x4 (35)		Gasolina	4WD	1998	169	230	04.20-	*
2.0 4x4 (35) (B 20 NFT)		Gasolina	4WD	1998	191	260	03.17-	*
2.0 4x4 (35) (D 20 NFT)		Gasolina	4WD	1998	191	260	03.17-	*
1.5 CDTi (35) (F 15 DVH)		Diesel	FWD	1496	90	122	02.20-	*
1.6 CDTi (35) (B 16 DTE)		Diesel	FWD	1598	81	110	03.17-	*
1.6 CDTi (35) (D 16 DTE)		Diesel	FWD	1598	81	110	03.17-	*
1.6 CDTi (35) (D 16 DTN)		Diesel	FWD	1598	81	110	03.17-	*
1.6 CDTi (35) (B 16 DTH)		Diesel	FWD	1598	100	136	03.17-	*
1.6 CDTi (35) (D 16 DTH)		Diesel	FWD	1598	100	136	03.17-	*
2.0 CDTi (35) (B 20 DTH)		Diesel	FWD	1956	125	170	03.17-	*
2.0 CDTi (35) (D 20 DTH)		Diesel	FWD	1956	125	170	03.17-	*
2.0 CDTi 4x4 (35) (D 20 DTH)		Diesel	4WD	1956	125	170	03.17-	*
2.0 BiTurbo Diesel 4x4 (68) (D 20 DTR)		Diesel	4WD	1956	154	210	03.17-	*
2.0 CDTi 4x4 (35)		Diesel	4WD	1956	154	210	04.20-	*
2.0 CDTi (35)		Diesel	FWD	1995	128	174	04.20-	*
INSIGNIA B Sports Tourer Combi Van (Z18) 03.17-					[CAMBIADO]:Furgón/Break (Executive car-E Segment)			
CDTi ECOTEC (B 16 DTH)		Diesel	FWD	1598	100	136	03.17-	*

LISTA DE APLICACIONES - BUYERS GUIDE

CDTi ECOTEC (D 16 DTH)	Diesel	FWD	1598	100	136	03.17-	*
Tesla							
MODEL S 09.12-				[CAMBIADO]:Fastback (Luxury car-F Segment)			
P85D	Gasolina	FWD		508	691	10.14-	*
60 (L1S)	Eléctrico	RWD		225	306	11.13-09.14	*
60D AWD (L2S)	Eléctrico	4WD		276	376	10.14-04.15	*
85D AWD (L2S)	Eléctrico	4WD		276	376	10.14-02.16	*
P85 (L1S)	Eléctrico	RWD		310	421	11.13-12.14	*
P85D AWD (L2S)	Eléctrico	4WD		515	700	10.14-02.16	*
VAUXHALL							
INSIGNIA Mk II (B) (Z18) 03.17-				[CAMBIADO]:Fastback (Executive car-E Segment)			
1.5 (68) (B 15 SFL)	Gasolina	FWD	1490	103	140	03.17-	*
1.5 (68) (D 15 SFL)	Gasolina	FWD	1490	103	140	03.17-	*
1.5 (68) (B 15 SFT)	Gasolina	FWD	1490	121	165	03.17-	*
1.5 (68) (D 15 SFT)	Gasolina	FWD	1490	121	165	03.17-	*
1.6 Turbo (68) (D 16 SHT)	Gasolina	FWD	1598	147	200	06.18-	*
2.0 GSi 4x4	Gasolina	4WD	1998	169	230	04.20-	*
2.0 4x4 (68) (B 20 NFT)	Gasolina	4WD	1998	191	260	03.17-	*
1.6 D (68) (B 16 DTE)	Diesel	FWD	1598	81	110	03.17-	*
1.6 D (68) (D 16 DTE)	Diesel	FWD	1598	81	110	03.17-	*
1.6 D (68) (D 16 DTN)	Diesel	FWD	1598	81	110	03.17-	*
1.6 D (68) (B 16 DTH)	Diesel	FWD	1598	100	136	03.17-	*
1.6 D (68) (D 16 DTH)	Diesel	FWD	1598	100	136	03.17-	*
2.0 D (68) (B 20 DTH)	Diesel	FWD	1956	125	170	03.17-	*
2.0 D (68) (D 20 DTH)	Diesel	FWD	1956	125	170	03.17-	*
2.0 D A las 4 ruedas (68)	Diesel	4WD	1956	125	170	03.17-	*
2.0 GSi 4x4 (68) (D 20 DTR)	Diesel	4WD	1956	154	209	07.17-	*
INSIGNIA Mk II (B) Country Tourer (Z18) 03.17-				[CAMBIADO]:Break (Executive car-E Segment)			
2.0 D (47) (D 20 DTH)	Diesel	FWD	1956	125	170	03.17-	*
2.0 D 4x4 (47) (B 20 DTH)	Diesel	4WD	1956	125	170	09.17-	*
2.0 D 4x4 (47) (D 20 DTH)	Diesel	4WD	1956	125	170	09.17-	*
2.0 GSi 4x4 (47) (D 20 DTR)	Diesel	4WD	1956	154	209	07.17-	*
INSIGNIA Mk II (B) Sports Tourer (Z18) 03.17-				[CAMBIADO]:Break (Executive car-E Segment)			
1.5 (35) (B 15 SFL)	Gasolina	FWD	1490	103	140	03.17-	*
1.5 (35) (D 15 SFL)	Gasolina	FWD	1490	103	140	03.17-	*
1.5 (35) (B 15 SFT)	Gasolina	FWD	1490	121	165	03.17-	*
1.5 (35) (D 15 SFT)	Gasolina	FWD	1490	121	165	03.17-	*
1.6 Turbo (35) (D 16 SHT)	Gasolina	FWD	1598	147	200	06.18-	*
2.0 4x4 (35) (B 20 NFT)	Gasolina	4WD	1998	191	260	03.17-	*
1.6 D (35) (B 16 DTE)	Diesel	FWD	1598	81	110	03.17-	*
1.6 D (35) (D 16 DTE)	Diesel	FWD	1598	81	110	03.17-	*
1.6 D (35) (D 16 DTN)	Diesel	FWD	1598	81	110	03.17-	*
1.6 D (35) (B 16 DTH)	Diesel	FWD	1598	100	136	03.17-	*
1.6 D (35) (D 16 DTH)	Diesel	FWD	1598	100	136	03.17-	*
2.0 D (35) (B 20 DTH)	Diesel	FWD	1956	125	170	03.17-	*
2.0 D (35) (D 20 DTH)	Diesel	FWD	1956	125	170	03.17-	*
2.0 D 4x4 (35)	Diesel	4WD	1956	125	170	06.17-	*
2.0 GSi 4x4 (35) (D 20 DTR)	Diesel	4WD	1956	154	209	07.17-	*