

# LISTA DE APLICACIONES - BUYERS GUIDE

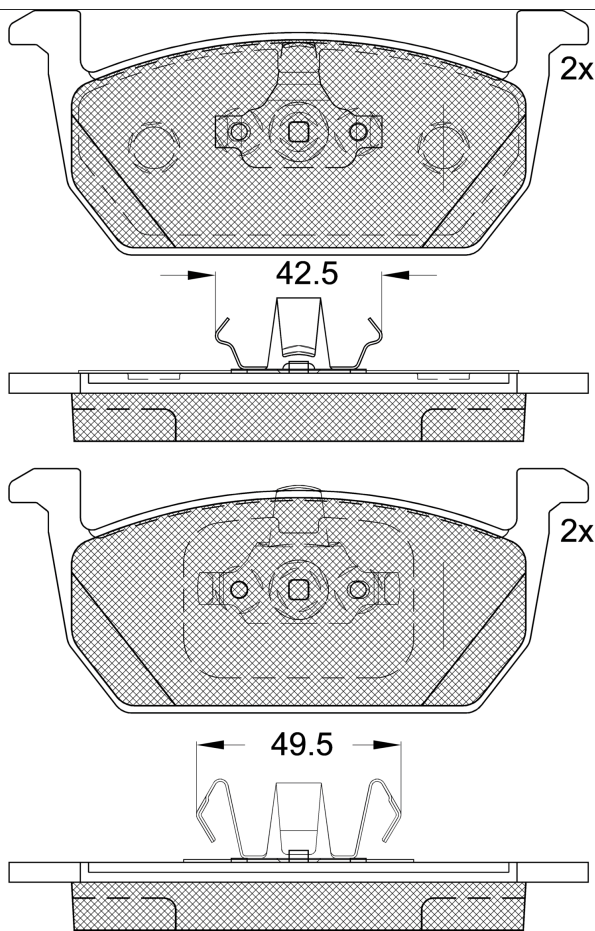
## RB2285



Qty: 300

Weight: 1.665

O.E.M.	MAKE
2Q0 698 151 B	SEAT
2Q0 698 151 C	VW
2Q0 698 151 E	SEAT
2Q0 698 151 G	AUDI
2Q0 698 151 Q	SKODA
2Q0698151AA	VW
2Q0698151R	AUDI
5Q0 698 151 E	VW
5Q0 698 151 H	SEAT



## RB2285

**E 9** 90R-02A0111/4654



Mando

146.1x61.6x17.8

WVA	FMSI
22631	D2249-9485
22632	

Sin Filas



Trac.	CC	Kw	CV
-------	----	----	----



Front / Rear

### AUDI

						[CAMBIADO]:Fastback (Supermini car-B Segment)			
<b>A1 CITY CARVER (GBH) 07.19-</b>									
25 TFSI (DKLA)		Gasolina	FWD	999	70	95	07.19-06.22	*	
30 TFSI (DLAA)		Gasolina	FWD	999	81	110	09.20-06.22	*	
30 TFSI (DKJA)		Gasolina	FWD	999	85	116	07.19-06.22	*	
30 TFSI (DKRF)		Gasolina	FWD	999	85	116	07.19-06.22	*	
35 TFSI (DPCA)		Gasolina	FWD	1498	110	150	07.19-06.22	*	
<b>A1 II Sportback (GBA) 07.18-</b>									
						[CAMBIADO]:Fastback (Supermini car-B Segment)			
25 TFSI (DKLA)		Gasolina	FWD	999	70	95	11.18-	*	
25 TFSI (DLAC)		Gasolina	FWD	999	70	95	11.18-	*	
30 TFSI (DLAA)		Gasolina	FWD	999	81	110	09.20-	*	
30 TFSI (DKJA)		Gasolina	FWD	999	85	116	07.18-	*	
30 TFSI (DKRF)		Gasolina	FWD	999	85	116	07.18-	*	
35 TFSI (DADA)		Gasolina	FWD	1498	110	150	09.18-	*	
35 TFSI (DPCA)		Gasolina	FWD	1498	110	150	09.18-	*	
40 TFSI (CZPC)		Gasolina	FWD	1984	147	200	09.18-	*	
40 TFSI (DKZC)		Gasolina	FWD	1984	147	200	09.18-	*	
40 TFSI		Gasolina	FWD	1984	152	207	04.21-	*	
<b>A1 II Allstreet (GBH) 07.22-</b>									
						[CAMBIADO]:Fastback (Supermini car-B Segment)			
25 TFSI		Gasolina	FWD	999	70	95	07.22-	*	
30 TFSI		Gasolina	FWD	999	81	110	07.22-	*	
30 TFSI		Gasolina	FWD	999	85	116	03.24-	*	
35 TFSI		Gasolina	FWD	1498	110	150	07.22-	*	

### SEAT

# LISTA DE APLICACIONES - BUYERS GUIDE

<b>ARONA (KJ7, KJP) 07.17-</b>					<b>SUV (Compact Crossover CUV-C Segment)</b>			
1.0 TSI (CHZL)		Gasolina	FWD	999	70	95	07.17-	*
1.0 TSI (DKLA)		Gasolina	FWD	999	70	95	07.17-	*
1.0 TSI (DLAA)		Gasolina	FWD	999	81	110	06.20-	*
1.0 TSI (CHZJ)		Gasolina	FWD	999	85	116	07.17-	*
1.0 TSI (DKJA)		Gasolina	FWD	999	85	116	07.17-	*
1.0 TSI (DKRF)		Gasolina	FWD	999	85	116	07.17-	*
1.5 TSI (DADA)		Gasolina	FWD	1498	110	150	07.17-	*
1.5 TSI (DPCA)		Gasolina	FWD	1498	110	150	07.17-	*
1.6 SRE (CWVA)		Gasolina	FWD	1598	81	110	07.17-	*
1.0 TGI (DBYA)		Gasol./Gas (CNG)	FWD	999	66	90	11.18-	*
1.6 TDI (DGTD)		Diesel	FWD	1598	70	95	11.17-	*
1.6 TDI (DGTA)		Diesel	FWD	1598	85	115	07.17-	*
<b>IBIZA V (KJ1, KJG) 01.17-</b>					<b>[CAMBIADO]:Fastback (Supermini car-B Segment)</b>			
1.0 MPi (CHYC)		Gasolina	FWD	999	48	65	07.17-	*
1.0 MPi (DFNB)		Gasolina	FWD	999	48	65	07.17-	*
1.0 MPi (CHYB)		Gasolina	FWD	999	55	75	01.17-	*
1.0 MPi (DFNA)		Gasolina	FWD	999	59	80	07.18-	*
1.0 MPi (DSGB)		Gasolina	FWD	999	59	80	07.18-	*
1.0 TSI (CHZL)		Gasolina	FWD	999	70	95	01.17-	*
1.0 TSI (DKLA)		Gasolina	FWD	999	70	95	01.17-	*
1.0 TSI (DLAA)		Gasolina	FWD	999	81	110	06.20-	*
1.0 TSI (CHZJ)		Gasolina	FWD	999	85	116	01.17-	*
1.0 TSI (DKJA)		Gasolina	FWD	999	85	116	01.17-	*
1.0 TSI (DKRF)		Gasolina	FWD	999	85	116	01.17-	*
1.5 TSI (DADA)		Gasolina	FWD	1498	110	150	07.17-	*
1.6 SRE (CWVA)		Gasolina	FWD	1598	81	110	05.17-	*
1.0 TGI (DBYA)		Gasol./Gas (CNG)	FWD	999	66	90	11.17-	*
1.6 TDI (DGTC)		Diesel	FWD	1598	59	80	11.17-	*
1.6 TDI (DGTD)		Diesel	FWD	1598	70	95	09.17-	*
1.6 TDI (DGTA)		Diesel	FWD	1598	85	115	12.17-	*
<b>LEON III (5F1) 09.12-</b>					<b>[CAMBIADO]:Fastback (Compact car-C Segment)</b>			
1.0 TSI (DKLB)		Gasolina	FWD	999	63	86	09.18-08.20	*
1.0 TSI (CHZD)		Gasolina	FWD	999	85	115	05.15-08.20	*
1.0 TSI (DKRF)		Gasolina	FWD	999	85	115	05.15-08.20	*
1.2 TSI (CJZB)		Gasolina	FWD	1197	63	86	12.12-08.18	*
1.2 TSI (CYVA)		Gasolina	FWD	1197	63	86	12.12-08.18	*
1.2 TSI (CJZA)		Gasolina	FWD	1197	77	105	01.13-08.20	*
1.2 TSI (CYVB)		Gasolina	FWD	1197	81	110	04.14-08.20	*
1.4 TSI (CMBA)		Gasolina	FWD	1395	90	122	11.12-10.16	*
1.4 TSI (CXSA)		Gasolina	FWD	1395	90	122	11.12-10.16	*
1.4 TSI (CZCA)		Gasolina	FWD	1395	92	125	05.14-08.20	*
1.4 TSI (CHPA)		Gasolina	FWD	1395	103	140	09.12-08.20	*
1.4 TSI (CPTA)		Gasolina	FWD	1395	103	140	09.12-08.20	*
1.4 TSI (CZDA)		Gasolina	FWD	1395	110	150	05.14-08.20	*
1.4 TSI (CZEA)		Gasolina	FWD	1395	110	150	05.14-08.20	*
1.5 TSI (DACA)		Gasolina	FWD	1495	96	130	09.18-08.20	*
1.5 TSI (DPBA)		Gasolina	FWD	1495	96	130	09.18-08.20	*

# LISTA DE APLICACIONES - BUYERS GUIDE

1.5 TSI (DADA)		Gasolina	FWD	1498	110	150	09.18-08.20	*
1.5 TSI (DPCA)		Gasolina	FWD	1498	110	150	09.18-08.20	*
1.8 TSI (CJSA)		Gasolina	FWD	1798	132	180	02.13-08.18	*
2.0 TSI (DKZA)		Gasolina	FWD	1984	140	190	09.18-08.20	*
2.0 Cupra (CJXE)		Gasolina	FWD	1984	195	265	10.13-08.20	*
2.0 Cupra (CJXA)		Gasolina	FWD	1984	206	280	10.13-08.20	*
2.0 Cupra (CJXH)		Gasolina	FWD	1984	213	290	10.15-08.20	*
2.0 Cupra (DNUC)		Gasolina	FWD	1984	213	290	10.15-08.20	*
2.0 Cupra (CJXC)		Gasolina	FWD	1984	221	300	01.17-08.18	*
2.0 Cupra R (CJXG)		Gasolina	FWD	1984	228	310	11.17-08.18	*
1.4 TGI (CPWA)		Gasol./Gas (CNG)	FWD	1395	81	110	02.13-08.18	*
1.5 TGI (DHFA)		Gasol./Gas (CNG)	FWD	1498	96	131	10.18-08.20	*
1.6 TDI (CLHB)		Diesel	FWD	1598	66	90	11.12-08.18	*
1.6 TDI (CXXA)		Diesel	FWD	1598	66	90	11.12-08.18	*
1.6 TDI (DDYB)		Diesel	FWD	1598	66	90	11.12-08.18	*
1.6 TDI (CLHA)		Diesel	FWD	1598	77	105	09.12-08.20	*
1.6 TDI (CRKB)		Diesel	FWD	1598	81	110	09.13-08.20	*
1.6 TDI (CXXB)		Diesel	FWD	1598	81	110	09.13-08.20	*
1.6 TDI (DBKA)		Diesel	FWD	1598	81	110	09.13-08.20	*
1.6 TDI (DDYA)		Diesel	FWD	1598	85	115	11.16-08.20	*
1.6 TDI (DGTE)		Diesel	FWD	1598	85	115	11.16-08.20	*
2.0 TDI (CRLD)		Diesel	FWD	1968	81	110	05.13-08.20	*
2.0 TDI (CRVA)		Diesel	FWD	1968	81	110	05.13-08.20	*
2.0 TDI (CRVC)		Diesel	FWD	1968	105	143	05.13-08.20	*
2.0 TDI (CKFC)		Diesel	FWD	1968	110	150	10.12-08.20	*
2.0 TDI (CRMB)		Diesel	FWD	1968	110	150	10.12-08.20	*
2.0 TDI (DFFA)		Diesel	FWD	1968	110	150	10.12-08.20	*
2.0 TDI (CUNA)		Diesel	FWD	1968	135	184	09.12-08.20	*
2.0 TDI (CUPA)		Diesel	FWD	1968	135	184	09.12-08.20	*
2.0 TDI (DJGA)		Diesel	FWD	1968	135	184	09.12-08.20	*
							<b>Furgón/hatchback (Compact car-C Segment)</b>	
<b>LEON III (5F1) 09.12-</b>								
1.0 TSI (CHZD)		Gasolina	FWD	999	85	115	05.15-08.20	*
1.2 TSI (CJZB)		Gasolina	FWD	1197	63	86	01.13-08.18	*
1.2 TSI (CYVA)		Gasolina	FWD	1197	63	86	01.13-08.18	*
1.2 TSI (CYVB)		Gasolina	FWD	1197	81	110	04.14-08.18	*
1.4 TSI (CMBA)		Gasolina	FWD	1395	90	122	09.12-10.16	*
1.4 TSI (CXSA)		Gasolina	FWD	1395	90	122	09.12-10.16	*
1.4 TSI (CHPA)		Gasolina	FWD	1395	103	140	09.12-10.16	*
1.4 TSI (CPTA)		Gasolina	FWD	1395	103	140	09.12-10.16	*
1.4 TSI (CZEA)		Gasolina	FWD	1395	110	150	05.14-08.20	*
1.8 TFSI (CJSA)		Gasolina	FWD	1798	132	180	02.13-08.18	*
2.0 Cupra (CJXC)		Gasolina	FWD	1984	221	300	01.17-08.18	*
1.6 TDI (CLHB)		Diesel	FWD	1598	66	90	11.12-10.16	*
1.6 TDI (CLHA)		Diesel	FWD	1598	77	105	09.12-10.16	*
1.6 TDI (CRKB)		Diesel	FWD	1598	81	110	09.13-10.16	*
1.6 TDI (CXXB)		Diesel	FWD	1598	81	110	09.13-10.16	*
1.6 TDI (DBKA)		Diesel	FWD	1598	81	110	09.13-10.16	*
1.6 TDI (DDYA)		Diesel	FWD	1598	85	115	11.16-08.20	*
2.0 TDI (CKFC)		Diesel	FWD	1968	110	150	10.12-08.18	*

# LISTA DE APLICACIONES - BUYERS GUIDE

2.0 TDI (CRMB)		Diesel	FWD	1968	110	150	10.12-08.18	*	
2.0 TDI (CUNA)		Diesel	FWD	1968	135	184	02.13-08.18	*	
2.0 TDI (CUPA)		Diesel	FWD	1968	135	184	02.13-08.18	*	
<b>LEON III SC (5F5) 01.13-</b>					<b>Coupé (Compact car-C Segment)</b>				
1.0 TSI (CHZD)		Gasolina	FWD	999	85	115	05.15-08.18	*	
1.2 TSI (CJZB)		Gasolina	FWD	1197	63	86	01.13-08.18	*	
1.2 TSI (CYVA)		Gasolina	FWD	1197	63	86	01.13-08.18	*	
1.2 TSI (CJZA)		Gasolina	FWD	1197	77	105	02.13-04.14	*	
1.2 TSI (CYVB)		Gasolina	FWD	1197	81	110	05.14-08.18	*	
1.4 TSI (CMBA)		Gasolina	FWD	1395	90	122	02.13-06.15	*	
1.4 TSI (CXSA)		Gasolina	FWD	1395	90	122	02.13-06.15	*	
1.4 TSI (CZCA)		Gasolina	FWD	1395	92	125	05.14-08.18	*	
1.4 TSI (CHPA)		Gasolina	FWD	1395	103	140	02.13-11.16	*	
1.4 TSI (CPTA)		Gasolina	FWD	1395	103	140	02.13-11.16	*	
1.4 TSI (CZEA)		Gasolina	FWD	1395	110	150	05.14-08.18	*	
1.8 TSI (CJSA)		Gasolina	FWD	1798	132	180	02.13-08.18	*	
2.0 Cupra (CJXE)		Gasolina	FWD	1984	195	265	10.13-11.16	*	
2.0 Cupra (CJXA)		Gasolina	FWD	1984	206	280	10.13-11.16	*	
2.0 Cupra (CJXH)		Gasolina	FWD	1984	213	290	10.15-11.16	*	
2.0 Cupra (CJXC)		Gasolina	FWD	1984	221	300	01.17-08.18	*	
1.6 TDI (CLHB)		Diesel	FWD	1598	66	90	02.13-08.18	*	
1.6 TDI (CXXA)		Diesel	FWD	1598	66	90	02.13-08.18	*	
1.6 TDI (DDYB)		Diesel	FWD	1598	66	90	02.13-08.18	*	
1.6 TDI (CLHA)		Diesel	FWD	1598	77	105	02.13-08.18	*	
1.6 TDI (CRKB)		Diesel	FWD	1598	81	110	09.13-11.16	*	
1.6 TDI (CXXB)		Diesel	FWD	1598	81	110	09.13-11.16	*	
1.6 TDI (DDYA)		Diesel	FWD	1598	85	115	11.16-08.18	*	
2.0 TDI		Diesel	FWD	1968	81	110	02.13-	*	
2.0 TDI (CRVA)		Diesel	FWD	1968	81	110	02.13-08.18	*	
2.0 TDI (CRVC)		Diesel	FWD	1968	105	143	05.13-08.18	*	
2.0 TDI (CKFC)		Diesel	FWD	1968	110	150	02.13-08.18	*	
2.0 TDI (CRMB)		Diesel	FWD	1968	110	150	02.13-08.18	*	
2.0 TDI (CUNA)		Diesel	FWD	1968	135	184	03.13-08.18	*	
2.0 TDI (CUPA)		Diesel	FWD	1968	135	184	03.13-08.18	*	
<b>LEON III ST (5F8) 09.12-</b>					<b>[CAMBIADO]:Break (Compact car-C Segment)</b>				
1.0 TSI (DKLB)		Gasolina	FWD	999	63	86	09.18-08.20	*	
1.0 TSI (CHZD)		Gasolina	FWD	999	85	115	05.15-08.20	*	
1.0 TSI (DKRF)		Gasolina	FWD	999	85	115	05.15-08.20	*	
1.2 TSI (CJZB)		Gasolina	FWD	1197	63	86	11.13-08.18	*	
1.2 TSI (CYVA)		Gasolina	FWD	1197	63	86	11.13-08.18	*	
1.2 TSI (CJZA)		Gasolina	FWD	1197	77	105	08.13-08.20	*	
1.2 TSI (CYVB)		Gasolina	FWD	1197	81	110	05.14-08.20	*	
1.4 TSI (CMBA)		Gasolina	FWD	1395	90	122	09.12-06.15	*	
1.4 TSI (CXSA)		Gasolina	FWD	1395	90	122	09.12-06.15	*	
1.4 TSI (CZCA)		Gasolina	FWD	1395	92	125	05.14-08.18	*	
1.4 TSI (CHPA)		Gasolina	FWD	1395	103	140	10.13-08.20	*	
1.4 TSI (CPTA)		Gasolina	FWD	1395	103	140	10.13-08.20	*	
1.4 TSI (CZEA)		Gasolina	FWD	1395	110	150	05.14-08.20	*	
1.5 TSI (DACA)		Gasolina	FWD	1495	96	130	09.18-08.20	*	
1.5 TSI (DPBA)		Gasolina	FWD	1495	96	130	09.18-08.20	*	

# LISTA DE APLICACIONES - BUYERS GUIDE

1.5 TSI (DADA)		Gasolina	FWD	1498	110	150	09.18-08.20	*
1.5 TSI (DPCA)		Gasolina	FWD	1498	110	150	09.18-08.20	*
1.8 TSI (CJSA)		Gasolina	FWD	1798	132	180	10.13-08.18	*
1.8 TSI 4Drive (CJSA)		Gasolina	4WD	1798	132	180	11.14-08.18	*
1.8 TSI 4Drive (CJSB)		Gasolina	4WD	1798	132	180	11.14-08.18	*
2.0 TSI (DKZA)		Gasolina	FWD	1984	140	190	07.18-08.20	*
2.0 TSI 4Drive (DKZA)		Gasolina	4WD	1984	140	190	09.18-08.20	*
2.0 Cupra (CJXE)		Gasolina	FWD	1984	195	265	10.13-08.20	*
2.0 Cupra (CJXA)		Gasolina	FWD	1984	206	280	10.13-08.20	*
2.0 Cupra (CJXH)		Gasolina	FWD	1984	213	290	10.15-08.20	*
2.0 Cupra (DNUC)		Gasolina	FWD	1984	213	290	10.15-08.20	*
2.0 Cupra (CJXC)		Gasolina	FWD	1984	221	300	11.16-08.18	*
2.0 Cupra 4Drive (CJXC)		Gasolina	4WD	1984	221	300	11.16-08.20	*
2.0 Cupra 4Drive (DNUE)		Gasolina	4WD	1984	221	300	11.16-08.20	*
1.4 TGI (CPWA)		Gasol./Gas (CNG)	FWD	1395	81	110	10.13-08.18	*
1.5 TGI (DHFA)		Gasol./Gas (CNG)	FWD	1498	96	131	10.18-08.20	*
1.6 TDI (CLHB)		Diesel	FWD	1598	66	90	11.13-08.18	*
1.6 TDI (CXXA)		Diesel	FWD	1598	66	90	11.13-08.18	*
1.6 TDI (DDYB)		Diesel	FWD	1598	66	90	11.13-08.18	*
1.6 TDI (CLHA)		Diesel	FWD	1598	77	105	10.13-08.20	*
1.6 TDI 4Drive (CLHA)		Diesel	4WD	1598	77	105	04.14-08.20	*
1.6 TDI (CRKB)		Diesel	FWD	1598	81	110	09.13-08.20	*
1.6 TDI (CXXB)		Diesel	FWD	1598	81	110	09.13-08.20	*
1.6 TDI (DBKA)		Diesel	FWD	1598	81	110	09.13-08.20	*
1.6 TDI 4Drive (CXXB)		Diesel	4WD	1598	81	110	11.14-08.20	*
1.6 TDI (DDYA)		Diesel	FWD	1598	85	115	11.16-08.20	*
1.6 TDI (DGTE)		Diesel	FWD	1598	85	115	11.16-08.20	*
1.6 TDI 4Drive (DGTE)		Diesel	4WD	1598	85	115	07.18-08.20	*
2.0 TDI (CRVA)		Diesel	FWD	1968	81	110	02.13-12.16	*
2.0 TDI (CRVC)		Diesel	FWD	1968	105	143	10.13-08.18	*
2.0 TDI (CKFC)		Diesel	FWD	1968	110	150	10.13-08.20	*
2.0 TDI (CRBC)		Diesel	FWD	1968	110	150	10.13-08.20	*
2.0 TDI (CRLB)		Diesel	FWD	1968	110	150	10.13-08.20	*
2.0 TDI (CRMB)		Diesel	FWD	1968	110	150	10.13-08.20	*
2.0 TDI (DFFA)		Diesel	FWD	1968	110	150	10.13-08.20	*
2.0 TDI (DFGA)		Diesel	FWD	1968	110	150	10.13-08.20	*
2.0 TDI 4Drive (CRBC)		Diesel	4WD	1968	110	150	04.14-08.20	*
2.0 TDI 4Drive (CRLB)		Diesel	4WD	1968	110	150	04.14-08.20	*
2.0 TDI 4Drive (CRMB)		Diesel	4WD	1968	110	150	04.14-08.20	*
2.0 TDI 4Drive (DCYA)		Diesel	4WD	1968	110	150	04.14-08.20	*
2.0 TDI 4Drive (DFGA)		Diesel	4WD	1968	110	150	04.14-08.20	*
2.0 TDI (CUNA)		Diesel	FWD	1968	135	184	08.13-08.20	*
2.0 TDI (CUPA)		Diesel	FWD	1968	135	184	08.13-08.20	*
2.0 TDI (DJGA)		Diesel	FWD	1968	135	184	08.13-08.20	*
2.0 TDI 4Drive (CUNA)		Diesel	4WD	1968	135	184	11.14-08.18	*
2.0 TDI 4Drive (DJGA)		Diesel	4WD	1968	135	184	11.14-08.18	*
<b>LEON III ST (5F8) 01.13-</b>							<b>[CAMBIADO]:Furgón/Break (Compact car-C Segment)</b>	
1.0 TSI (CHZD)		Gasolina	FWD	999	85	115	05.15-08.20	*
1.2 TSI (CJZB)		Gasolina	FWD	1197	63	86	01.13-08.18	*

# LISTA DE APLICACIONES - BUYERS GUIDE

1.2 TSI (CYVA)		Gasolina	FWD	1197	63	86	01.13-08.18	*
1.2 TSI (CYVB)		Gasolina	FWD	1197	81	110	05.14-08.18	*
1.4 TSI (CZDA)		Gasolina	FWD	1395	110	150	05.14-08.20	*
1.4 TSI (CZEA)		Gasolina	FWD	1395	110	150	05.14-08.20	*
1.8 TFSI (CJSA)		Gasolina	FWD	1798	132	180	10.13-08.18	*
2.0 Cupra (CJXA)		Gasolina	FWD	1984	206	280	10.13-08.20	*
2.0 Cupra (CJXC)		Gasolina	FWD	1984	221	300	11.16-08.18	*
2.0 Cupra 4Drive (CJXC)		Gasolina	4WD	1984	221	300	11.16-08.18	*
1.6 TDI (CRKB)		Diesel	FWD	1598	81	110	09.13-08.20	*
1.6 TDI (CXXB)		Diesel	FWD	1598	81	110	09.13-08.20	*
1.6 TDI (DBKA)		Diesel	FWD	1598	81	110	09.13-08.20	*
1.6 TDI (DDYA)		Diesel	FWD	1598	85	115	11.16-08.20	*
2.0 TDI (CKFC)		Diesel	FWD	1968	110	150	04.13-08.18	*
2.0 TDI (CRBC)		Diesel	FWD	1968	110	150	04.13-08.18	*
2.0 TDI (CRLB)		Diesel	FWD	1968	110	150	04.13-08.18	*
2.0 TDI (CRMB)		Diesel	FWD	1968	110	150	04.13-08.18	*
2.0 TDI 4Drive (CRBC)		Diesel	4WD	1968	110	150	09.14-08.18	*
2.0 TDI 4Drive (CRLB)		Diesel	4WD	1968	110	150	09.14-08.18	*
2.0 TDI (CUNA)		Diesel	FWD	1968	135	184	08.13-08.18	*
2.0 TDI (CUPA)		Diesel	FWD	1968	135	184	08.13-08.18	*
2.0 TDI 4Drive (CUNA)		Diesel	4WD	1968	135	184	10.14-08.18	*
<b>LEON IV (KL1, KLG) 11.19-</b>							<b>[CAMBIADO]:Fastback (Compact car-C Segment)</b>	
1.5 TSI (DPBA)		Gasolina	FWD	1495	96	131	11.19-	*
1.5 TSI (DPCA)		Gasolina	FWD	1498	110	150	11.19-	*
1.5 TGI CNG (DHFA)		Gasol./Gas (CNG)	FWD	1498	96	131	08.20-	*
2.0 TDI (DSUD)		Diesel	FWD	1968	85	116	11.19-	*
2.0 TDI (DSTB)		Diesel	FWD	1968	110	150	11.19-	*
<b>LEON IV Sportstourer (KL8, KLD) 03.20-</b>							<b>[CAMBIADO]:Break (Compact car-C Segment)</b>	
1.0 TSI (DLAA)		Gasolina	FWD	999	81	110	03.20-	*
1.5 TSI (DPBA)		Gasolina	FWD	1495	96	131	03.20-	*
1.5 TSI (DPCA)		Gasolina	FWD	1498	110	150	03.20-	*
1.5 TGI		Gasol./Gas (CNG)	FWD	1498	96	131	05.21-	*
1.5 eTSI (DFYA)		Gasol./el éc.	FWD	1498	110	150	03.20-	*
2.0 TDI		Diesel	FWD	1968	85	116	11.20-	*
2.0 TDI (DSTB)		Diesel	FWD	1968	110	150	04.20-	*
TDI 4Drive		Diesel	4WD	1968	110	150	11.20-	*
<b>SKODA</b>								
<b>FABIA IV (PJ3) 06.21-</b>							<b>[CAMBIADO]:Fastback (Compact car-C Segment)</b>	
1.0 MPi		Gasolina	FWD	999	48	65	08.21-	*
1.0 MPi		Gasolina	FWD	999	59	80	06.21-	*
1.0 TSI		Gasolina	FWD	999	70	95	06.21-	*
1.0 TSI		Gasolina	FWD	999	81	110	06.21-	*
1.0 TSI		Gasolina	FWD	999	85	116	01.24-	*
1.5 TSI		Gasolina	FWD	1498	110	150	11.21-	*
1.6		Gasolina	FWD	1598	81	110	06.21-	*

# LISTA DE APLICACIONES - BUYERS GUIDE

					<b>SUV (Compact Crossover CUV-C Segment)</b>				
<b>KAMIQ (NW4) 07.19-</b>									
1.0 TSI (DKLA)		Gasolina	FWD	999	70	95	07.19-	*	
1.0 TSI (DLAA)		Gasolina	FWD	999	81	110	08.20-	*	
1.0 TSI (DKRF)		Gasolina	FWD	999	85	116	07.19-	*	
1.5 TSI (DPCA)		Gasolina	FWD	1498	110	150	07.19-	*	
1.6 SRE (CWVA)		Gasolina	FWD	1598	81	110	07.19-	*	
1.0 TGI CNG (DBYA)		Gasol./Gas (CNG)	FWD	999	66	90	11.19-	*	
1.6 TDI (DGTD)		Diesel	FWD	1598	70	95	09.19-	*	
1.6 TDI		Diesel	FWD	1598	70	95	09.19-	*	
1.6 TDI (DGTA)		Diesel	FWD	1598	85	115	07.19-	*	
					<b>[CAMBIADO]:Fastback (Compact car-C Segment)</b>				
<b>SCALA (NW1) 02.19-</b>									
1.0 TSI (DKLA)		Gasolina	FWD	999	70	95	02.19-	*	
1.0 TSI (DLAA)		Gasolina	FWD	999	81	110	08.20-	*	
1.0 TSI (DKRF)		Gasolina	FWD	999	85	116	02.19-	*	
1.5 TSI (DADA)		Gasolina	FWD	1498	110	150	02.19-	*	
1.5 TSI (DPCA)		Gasolina	FWD	1498	110	150	02.19-	*	
1.6 SRE		Gasolina	FWD	1598	81	110	02.19-	*	
1.0 TGI CNG (DBYA)		Gasol./Gas (CNG)	FWD	999	66	90	11.19-	*	
1.6 TDI		Diesel	FWD	1598	70	95	09.19-	*	
1.6 TDI (DGTA)		Diesel	FWD	1598	85	116	02.19-	*	
<b>SKODA (SVW)</b>									
					<b>SUV (Compact Crossover CUV-C Segment)</b>				
<b>KAMIQ (0N7) 06.18-</b>									
1.5		Gasolina	FWD	1498	81	110	06.18-	*	
1.5		Gasolina	FWD	1498	82	111	06.19-	*	
					<b>SUV (Compact Crossover CUV-C Segment)</b>				
<b>KAMIQ GT (0N8) 11.19-</b>									
TSi230		Gasolina	FWD	1197	85	116	11.19-	*	
1.5		Gasolina	FWD	1498	82	111	11.19-	*	
<b>VW</b>									
					<b>SUV (Subcompact CUV-B Segment)</b>				
<b>NIVUS / TAIGO (CH1) 06.20-</b>									
1.0 TSI FLEXFUEL (DHSB)		Gasol./Etanol	FWD	999	94	128	06.20-	*	
					<b>[CAMBIADO]:Fastback (Supermini car-B Segment)</b>				
<b>POLO VI (AW1, BZ1, AE1) 06.17-</b>									
1.0 (CHYC)		Gasolina	FWD	999	48	65	08.17-02.20	*	
1.0 (DFNB)		Gasolina	FWD	999	48	65	08.17-02.20	*	
1.0 (CHYB)		Gasolina	FWD	999	55	75	06.17-08.21	*	
1.0 MPi (DFNA)		Gasolina	FWD	999	59	80	09.18-	*	
1.0 MPi (DSGB)		Gasolina	FWD	999	59	80	09.18-	*	
1.0 TSI (CHZL)		Gasolina	FWD	999	70	95	06.17-	*	
1.0 TSI (DKLA)		Gasolina	FWD	999	70	95	06.17-	*	
1.0 TSI (DLAA)		Gasolina	FWD	999	81	110	07.20-	*	
1.0 TSI (CHZJ)		Gasolina	FWD	999	85	116	09.17-	*	
1.0 TSI (DKJA)		Gasolina	FWD	999	85	116	09.17-	*	
1.0 TSI (DKRF)		Gasolina	FWD	999	85	116	09.17-	*	
1.5 TSI (DADA)		Gasolina	FWD	1498	110	150	10.18-08.21	*	
1.5 TSI (DPCA)		Gasolina	FWD	1498	110	150	10.18-08.21	*	
2.0 GTI (CZPC)		Gasolina	FWD	1984	147	200	11.17-	*	

# LISTA DE APLICACIONES - BUYERS GUIDE

2.0 GTI (DKZC)	Gasolina	FWD	1984	147	200	11.17-	*
1.0 TGI (DBYA)	Gasol./Gas (CNG)	FWD	999	66	90	09.17-	*
1.6 TDI (DGTC)	Diesel	FWD	1598	59	80	11.17-07.19	*
1.6 TDI (DGTD)	Diesel	FWD	1598	70	95	11.17-02.21	*
<b>TAIGO (CS1) 09.21-</b>				<b>SUV (Mini SUV-J Segment)</b>			
1.0 TSI	Gasolina	FWD	999	70	95	09.21-	*
1.0 TSI	Gasolina	FWD	999	81	110	09.21-03.24	*
1.0 TSI	Gasolina	FWD	999	85	116	11.21-	*
1.5 TSI	Gasolina	FWD	1498	110	150	09.21-	*
<b>T-CROSS (C11, D31) 12.18-</b>				<b>SUV (Compact Crossover CUV-C Segment)</b>			
1.0 TSI (CHZL)	Gasolina	FWD	999	70	95	12.18-	*
1.0 TSI (DKLA)	Gasolina	FWD	999	70	95	12.18-	*
1.0 TSI (DLAC)	Gasolina	FWD	999	70	95	12.18-	*
1.0 TSI (DLAA)	Gasolina	FWD	999	81	110	06.20-	*
1.0 TSI (DKJA)	Gasolina	FWD	999	85	116	12.18-	*
1.0 TSI (DKRF)	Gasolina	FWD	999	85	116	12.18-	*
1.5 TSI (DADA)	Gasolina	FWD	1498	110	150	01.20-	*
1.5 TSI (DPCA)	Gasolina	FWD	1498	110	150	01.20-	*
1.6 TDI (DGTD)	Diesel	FWD	1598	70	95	12.18-	*
<b>VIRTUS / POLO VI (BZ2) 10.17-</b>				<b>Sedán (Supermini car-B Segment)</b>			
1.0 TSI	Gasolina	FWD	999	89	121	01.18-	*
16 MSI	Gasolina	FWD	1598	81	110	10.17-	*
200 Tsi Flex	Gasol./Etanol	FWD	999	94	128	11.17-	*
16 MSI Flex	Gasol./Etanol	FWD	1598	86	117	11.17-	*
<b>VW (FAW)</b>							
<b>TACQUA (C71) 12.19-</b>				<b>Closed SUV ()</b>			
2850TSI	Gasolina	FWD	1395	110	150	12.19-	*
1.5	Gasolina	FWD	1498	83	113	12.19-	*
<b>VW (SVW)</b>							
<b>T-CROSS (C81) 04.19-</b>				<b>SUV (Compact Crossover CUV-C Segment)</b>			
1.4 280 Tsi	Gasolina	FWD	1395	110	150	04.19-	*
1.5	Gasolina	FWD	1498	83	113	04.19-	*