

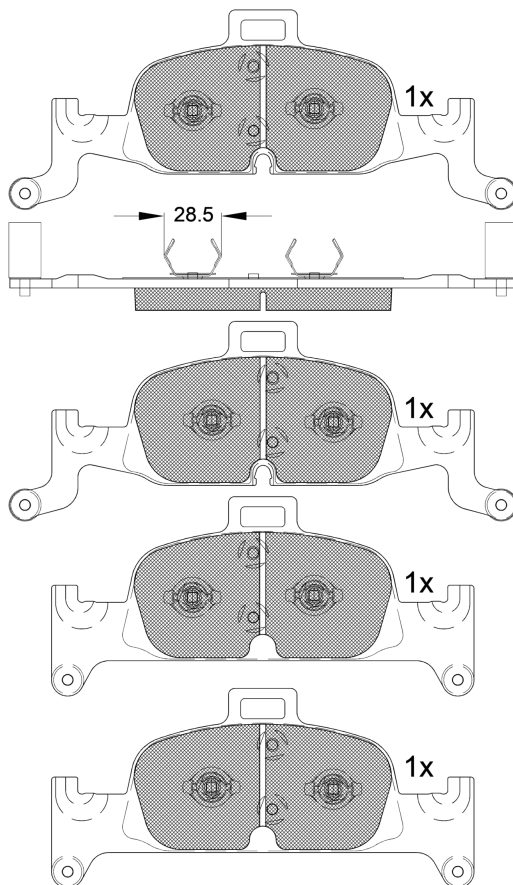
LISTA DE APLICACIONES - BUYERS GUIDE

RB2279



Qty: 300

Weight: 3.010



RB2279

E 9 90R-02A0111/4523



Ate - Teves

210.1x99.1x16.3

252x98.8x16.3

WVA

22402

22403

22404

22405

22975

Sin Filas

FMSI

D1897-9125

O.E.M.	MAKE
4K0 698 151 AB	AUDI
4K0 698 151 E	AUDI
8W0 698 151 AC	AUDI
8W0 698 151 AD	AUDI
8W0 698 151 AQ	AUDI
8W0 698 151 BB	AUDI
8W0 698 151 BC	AUDI
8W0 698 151 L	AUDI
8W0 698 151 M	AUDI



Trac.	CC	Kw	CV
-------	----	----	----



Front / Rear

AUDI

						[CAMBIADO]:Break (Compact executive car-D Segment)			
A4 V Allroad B9 (8WH, 8WJ) 01.16-									
2.0 TFSI quattro (CYRC)		Gasolina	4WD	1984	183	249	05.16-10.19	*	
2.0 TFSI quattro (CYMC)		Gasolina	4WD	1984	185	252	01.16-	*	
2.0 TFSI quattro (CYRB)		Gasolina	4WD	1984	185	252	01.16-	*	
45 TFSI Mild hybrid quattro (DKNA)		Gasol./el éc.	4WD	1984	180	245	07.18-	*	
2.0 TFSI Mild Hybrid quattro (DDWA)		Gasol./el éc.	4WD	1984	185	252	11.18-10.19	*	
45 TFSI Mild hybrid quattro (DMTA)		Gasol./el éc.	4WD	1984	195	265	08.20-	*	
40 TDI Mild Hybrid quattro (DTPA)		Diesel/el éc.	4WD	1968	150	204	09.20-	*	
2.0 TDI quattro (DEUB)		Diesel	4WD	1968	100	136	11.16-07.18	*	
2.0 TDI quattro (DEUA)		Diesel	4WD	1968	110	150	11.16-10.19	*	
2.0 TDI quattro (DETB)		Diesel	4WD	1968	120	163	05.16-10.19	*	
2.0 TDI quattro (DESA)		Diesel	4WD	1968	140	190	01.16-12.19	*	
2.0 TDI quattro (DETA)		Diesel	4WD	1968	140	190	01.16-12.19	*	
2.0 TDI quattro (DFVA)		Diesel	4WD	1968	140	190	01.16-12.19	*	
40 TDI quattro (DETA)		Diesel	4WD	1968	140	190	01.20-	*	
3.0 TDI quattro (CSWB)		Diesel	4WD	2967	160	218	01.16-08.18	*	
45 TDI quattro (DCPE)		Diesel	4WD	2967	170	231	07.18-	*	
3.0 TDI quattro (CRTC)		Diesel	4WD	2967	200	272	01.16-08.18	*	
3.0 TDI quattro (DCPC)		Diesel	4WD	2967	210	286	07.18-10.19	*	
50 TDI quattro (DCPC)		Diesel	4WD	2967	210	286	11.19-	*	

LISTA DE APLICACIONES - BUYERS GUIDE

A4 V B9 (8W2, 8WC) 05.15-					Sedán (Compact executive car-D Segment)			
1.4 TFSI (CVNA)		Gasolina	FWD	1395	110	150	08.15-11.19	*
2.0 TFSI (CVKB)		Gasolina	FWD	1984	140	190	05.15-11.19	*
2.0 TFSI (DBPA)		Gasolina	FWD	1984	140	190	05.15-11.19	*
2.0 TFSI (CYRC)		Gasolina	FWD	1984	183	249	11.15-11.19	*
2.0 TFSI quattro (CYRC)		Gasolina	4WD	1984	183	249	11.15-11.19	*
2.0 TFSI (CYMC)		Gasolina	FWD	1984	185	252	05.15-11.19	*
2.0 TFSI (CYRB)		Gasolina	FWD	1984	185	252	05.15-11.19	*
2.0 TFSI quattro (CYMC)		Gasolina	4WD	1984	185	252	05.15-11.19	*
2.0 TFSI quattro (CYRB)		Gasolina	4WD	1984	185	252	05.15-11.19	*
S4 TFSi quattro (CWGD)		Gasolina	4WD	2995	260	354	05.16-	*
35 TFSI Mild Hybrid (DLVB)		Gasol./el éc.	FWD	1984	110	150	12.18-	*
40 TFSI Mild Hybrid (DEMA)		Gasol./el éc.	FWD	1984	140	190	05.17-	*
40 TFSI Mild Hybrid (DKYA)		Gasol./el éc.	FWD	1984	140	190	05.17-	*
40 TFSI Mild Hybrid (DLVA)		Gasol./el éc.	FWD	1984	140	190	05.17-	*
40 TFSI Mild Hybrid		Gasol./el éc.	FWD	1984	150	204	06.20-	*
40 TFSI Mild Hybrid quattro (DMSA)		Gasol./el éc.	4WD	1984	150	204	06.20-	*
45 TFSI Mild Hybrid (DKNA)		Gasol./el éc.	FWD	1984	180	245	07.18-11.19	*
45 TFSI Mild hybrid quattro (DKNA)		Gasol./el éc.	4WD	1984	180	245	07.18-08.20	*
2.0 TFSI Mild Hybrid (DDWA)		Gasol./el éc.	FWD	1984	185	252	05.17-11.19	*
2.0 TFSI Mild Hybrid quattro (DDWA)		Gasol./el éc.	4WD	1984	185	252	05.17-11.19	*
45 TFSI Mild hybrid quattro (DMTA)		Gasol./el éc.	4WD	1984	195	265	08.20-	*
30 TDI Mild Hybrid (DEZB)		Diesel/el éc.	FWD	1968	100	136	07.19-	*
35 TDI Mild Hybrid (DEZE)		Diesel/el éc.	FWD	1968	120	163	03.19-	*
40 TDI Mild Hybrid		Diesel/el éc.	FWD	1968	150	204	09.20-	*
40 TDI Mild Hybrid quattro (DTPA)		Diesel/el éc.	4WD	1968	150	204	05.20-	*
2.0 TDI (DEUC)		Diesel	FWD	1968	90	122	05.16-11.19	*
30 TDI (DEUC)		Diesel	FWD	1968	90	122	05.16-11.19	*
2.0 TDI (DEUB)		Diesel	FWD	1968	100	136	05.15-11.19	*
2.0 TDI (CZHA)		Diesel	FWD	1968	110	150	05.15-11.19	*
2.0 TDI (DEUA)		Diesel	FWD	1968	110	150	05.15-11.19	*
2.0 TDI quattro (DEUA)		Diesel	4WD	1968	110	150	09.16-11.19	*
2.0 TDI quattro (DETB)		Diesel	4WD	1968	120	163	09.16-11.19	*
2.0 TDI (DESA)		Diesel	FWD	1968	140	190	05.15-11.19	*
2.0 TDI (DETA)		Diesel	FWD	1968	140	190	05.15-11.19	*
2.0 TDI (DFVA)		Diesel	FWD	1968	140	190	05.15-11.19	*
2.0 TDI quattro (DESA)		Diesel	4WD	1968	140	190	09.15-11.19	*
2.0 TDI quattro (DETA)		Diesel	4WD	1968	140	190	09.15-11.19	*
2.0 TDI quattro (DFVA)		Diesel	4WD	1968	140	190	09.15-11.19	*
40 TDI (DESA)		Diesel	FWD	1968	140	190	05.15-	*
40 TDI (DETA)		Diesel	FWD	1968	140	190	05.15-	*
40 TDI quattro (DETA)		Diesel	4WD	1968	140	190	09.15-09.20	*
3.0 TDI (CSWB)		Diesel	FWD	2967	160	218	09.15-08.18	*
3.0 TDI quattro (CSWB)		Diesel	4WD	2967	160	218	09.15-08.18	*

LISTA DE APLICACIONES - BUYERS GUIDE

45 TDI quattro (DCPE)		Diesel	4WD	2967	170	231	07.18-	*
3.0 TDI quattro (CRTC)		Diesel	4WD	2967	200	272	05.15-08.18	*
50 TDI quattro (DCPC)		Diesel	4WD	2967	210	286	07.18-08.20	*
A4 V B9 Avant (8W5, 8WD) 08.15-					[CAMBIADO]:Break (Compact executive car-D Segment)			
1.4 TFSI (CVNA)		Gasolina	FWD	1395	110	150	02.16-10.19	*
2.0 TFSI (CVKB)		Gasolina	FWD	1984	140	190	08.15-	*
2.0 TFSI (DKYA)		Gasolina	FWD	1984	140	190	08.15-	*
2.0 TFSI		Gasolina	FWD	1984	140	190	06.16-	*
40 TFSI (DMSA)		Gasolina	FWD	1984	150	204	12.20-	*
2.0 TFSI (CYRC)		Gasolina	FWD	1984	183	249	05.16-10.19	*
2.0 TFSI quattro (CYRC)		Gasolina	4WD	1984	183	249	11.15-10.19	*
2.0 TFSI (CYRB)		Gasolina	FWD	1984	185	252	05.16-10.19	*
2.0 TFSI		Gasolina	FWD	1984	185	252	05.16-10.19	*
2.0 TFSI quattro (CYRB)		Gasolina	4WD	1984	185	252	08.15-10.19	*
S4 TFSi quattro (CWGD)		Gasolina	4WD	2995	260	354	05.16-	*
2.0 TFSI g-tron (CVLA)		Gasol./Gas (CNG)	FWD	1984	125	170	11.16-10.19	*
40 TFSI g-tron (CVLA)		Gasol./Gas (CNG)	FWD	1984	125	170	11.16-	*
35 TFSI Mild Hybrid (DLVB)		Gasol./eléc.	FWD	1984	110	150	12.18-	*
35 TFSI Mild Hybrid (DMSB)		Gasol./eléc.	FWD	1984	110	150	12.18-	*
40 TFSI Mild Hybrid (DEMA)		Gasol./eléc.	FWD	1984	140	190	05.17-	*
40 TFSI Mild Hybrid (DKYA)		Gasol./eléc.	FWD	1984	140	190	05.17-	*
40 TFSI Mild Hybrid (DLVA)		Gasol./eléc.	FWD	1984	140	190	05.17-	*
40 TFSI Mild Hybrid (DMSA)		Gasol./eléc.	FWD	1984	150	204	06.20-	*
40 TFSI Mild Hybrid quattro (DMSA)		Gasol./eléc.	4WD	1984	150	204	06.20-	*
45 TFSI Mild Hybrid (DKNA)		Gasol./eléc.	FWD	1984	180	245	07.18-10.19	*
45 TFSI Mild hybrid quattro (DKNA)		Gasol./eléc.	4WD	1984	180	245	07.18-08.20	*
2.0 TFSI Mild Hybrid (DDWA)		Gasol./eléc.	FWD	1984	185	252	05.17-10.19	*
2.0 TFSI Mild Hybrid quattro (DDWA)		Gasol./eléc.	4WD	1984	185	252	05.17-06.18	*
45 TFSI Mild hybrid quattro (DMTA)		Gasol./eléc.	4WD	1984	195	265	08.20-	*
30 TDI Mild Hybrid (DEZB)		Diesel/eléc.	FWD	1968	100	136	07.19-	*
35 TDI Mild Hybrid (DEZE)		Diesel/eléc.	FWD	1968	120	163	07.19-	*
40 TDI Mild Hybrid		Diesel/eléc.	FWD	1968	150	204	09.20-	*
40 TDI Mild Hybrid quattro (DTPA)		Diesel/eléc.	4WD	1968	150	204	05.20-	*
2.0 TDI (DEUC)		Diesel	FWD	1968	90	122	04.16-09.18	*
30 TDI (DEUC)		Diesel	FWD	1968	90	122	10.18-10.20	*
2.0 TDI (DEUB)		Diesel	FWD	1968	100	136	08.15-10.19	*
2.0 TDI (CZHA)		Diesel	FWD	1968	110	150	08.15-09.18	*
2.0 TDI (DEUA)		Diesel	FWD	1968	110	150	08.15-09.18	*
2.0 TDI quattro (DEUA)		Diesel	4WD	1968	110	150	09.16-10.19	*
2.0 TDI quattro (DETB)		Diesel	4WD	1968	120	163	09.16-09.18	*
2.0 TDI (DESA)		Diesel	FWD	1968	140	190	08.15-09.18	*
2.0 TDI (DETA)		Diesel	FWD	1968	140	190	08.15-09.18	*

LISTA DE APLICACIONES - BUYERS GUIDE

2.0 TDI (DFVA)		Diesel	FWD	1968	140	190	08.15-09.18	*
2.0 TDI quattro (DESA)		Diesel	4WD	1968	140	190	10.15-09.18	*
2.0 TDI quattro (DETA)		Diesel	4WD	1968	140	190	10.15-09.18	*
2.0 TDI quattro (DFVA)		Diesel	4WD	1968	140	190	10.15-09.18	*
40 TDI (DESA)		Diesel	FWD	1968	140	190	10.18-08.20	*
40 TDI (DETA)		Diesel	FWD	1968	140	190	10.18-08.20	*
40 TDI quattro (DETA)		Diesel	4WD	1968	140	190	10.18-09.20	*
3.0 TDI (CSWB)		Diesel	FWD	2967	160	218	10.15-08.18	*
3.0 TDI quattro (CSWB)		Diesel	4WD	2967	160	218	11.15-08.18	*
45 TDI quattro (DCPE)		Diesel	4WD	2967	170	231	07.18-	*
3.0 TDI quattro (CRTC)		Diesel	4WD	2967	200	272	08.15-08.18	*
50 TDI quattro (DCPC)		Diesel	4WD	2967	210	286	07.18-10.19	*
							Cabrio (Compact executive car-D Segment)	
A5 II (F57, F5E) 11.16-								
2.0 40 TFSI (CVKB,DKYA)		Gasolina	FWD	1984	140	190	06.17-12.20	*
2.0 TFSI (CVKB)		Gasolina	FWD	1984	140	190	03.17-12.19	*
2.0 TFSI (DKYA)		Gasolina	FWD	1984	140	190	03.17-12.19	*
40 TFSI (DMSA)		Gasolina	FWD	1984	150	204	11.20-	*
2.0 45 TFSI quattro (CYRB,DLHB)		Gasolina	4WD	1984	185	252	06.17-	*
2.0 TFSI (CYRB)		Gasolina	FWD	1984	185	252	03.17-12.19	*
2.0 TFSI quattro (CYMC)		Gasolina	4WD	1984	185	252	11.16-	*
2.0 TFSI quattro (CYRB)		Gasolina	4WD	1984	185	252	11.16-	*
S5 TFSI quattro (CWGD)		Gasolina	4WD	2995	260	354	03.17-	*
35 TFSI Mild Hybrid (DMSB)		Gasol./el éc.	FWD	1984	110	150	06.20-	*
40 TFSI Mild Hybrid (DEMA)		Gasol./el éc.	FWD	1984	140	190	05.17-	*
40 TFSI Mild Hybrid (DKYA)		Gasol./el éc.	FWD	1984	140	190	05.17-	*
40 TFSI Mild Hybrid (DLVA)		Gasol./el éc.	FWD	1984	140	190	05.17-	*
40 TFSI Mild Hybrid (DMSA)		Gasol./el éc.	FWD	1984	150	204	07.20-	*
40 TFSI Mild Hybrid quattro (DMSA)		Gasol./el éc.	4WD	1984	150	204	06.20-	*
45 TFSI Mild Hybrid (DKNA)		Gasol./el éc.	FWD	1984	180	245	07.18-12.19	*
45 TFSI Mild hybrid quattro (DKNA)		Gasol./el éc.	4WD	1984	180	245	07.18-	*
2.0 TFSI Mild Hybrid (DDWA)		Gasol./el éc.	FWD	1984	185	252	05.17-12.19	*
2.0 TFSI Mild Hybrid quattro (DDWA)		Gasol./el éc.	4WD	1984	185	252	05.17-04.20	*
2.0 TFSI Mild Hybrid quattro (DLHB)		Gasol./el éc.	4WD	1984	185	252	05.17-04.20	*
45 TFSI Mild hybrid quattro		Gasol./el éc.	4WD	1984	195	265	06.20-	*
40 TDI Mild Hybrid		Diesel/el éc.	FWD	1968	150	204	09.20-	*
40 TDI Mild Hybrid quattro		Diesel/el éc.	4WD	1968	150	204	09.20-	*
2.0 TDI (DEUA)		Diesel	FWD	1968	110	150	08.17-12.19	*
35 TDI (DEZE)		Diesel	FWD	1968	120	163	10.19-	*
2.0 TDI (DETA)		Diesel	FWD	1968	140	190	11.16-12.19	*
2.0 TDI quattro (DETA)		Diesel	4WD	1968	140	190	03.17-04.20	*
40 TDI (DETA)		Diesel	FWD	1968	140	190	11.16-	*
40 TDI quattro (DETA)		Diesel	4WD	1968	140	190	03.17-	*
3.0 TDI (CSWB)		Diesel	FWD	2967	160	218	03.17-08.18	*
3.0 TDI quattro (CSWB)		Diesel	4WD	2967	160	218	12.16-08.18	*
3.0 TDI quattro (DCPC)		Diesel	4WD	2967	210	286	11.16-12.19	*

LISTA DE APLICACIONES - BUYERS GUIDE

50 TDI quattro (DCPC)	Diesel	4WD	2967	210	286	11.16-	*
A5 II (F53, F5P) 06.16-				Coupé (Compact executive car-D Segment)			
1.4 TFSI (CVNA)	Gasolina	FWD	1395	110	150	11.16-02.20	*
2.0 40 TFSI (DVKB,DKYA)	Gasolina	FWD	1984	140	190	06.17-12.20	*
2.0 TFSI (CVKB)	Gasolina	FWD	1984	140	190	09.16-02.20	*
2.0 TFSI (DKYA)	Gasolina	FWD	1984	140	190	09.16-02.20	*
40 TFSI (DMSA)	Gasolina	FWD	1984	150	204	11.20-	*
2.0 TFSI quattro (CYRC)	Gasolina	4WD	1984	183	249	06.16-02.20	*
2.0 45 TFSI quattro (CYRB,DLHB)	Gasolina	4WD	1984	185	252	06.17-	*
2.0 TFSI (CYRB)	Gasolina	FWD	1984	185	252	11.16-02.20	*
2.0 TFSI quattro (CYMC)	Gasolina	4WD	1984	185	252	06.16-	*
2.0 TFSI quattro (CYRB)	Gasolina	4WD	1984	185	252	06.16-	*
S5 TFSI quattro (CWGD)	Gasolina	4WD	2995	260	354	07.16-	*
35 TFSI Mild Hybrid (DLVB)	Gasol./el éc.	FWD	1984	110	150	02.19-	*
35 TFSI Mild Hybrid (DMSB)	Gasol./el éc.	FWD	1984	110	150	02.19-	*
40 TFSI Mild Hybrid (DEMA)	Gasol./el éc.	FWD	1984	140	190	05.17-	*
40 TFSI Mild Hybrid (DHDA)	Gasol./el éc.	FWD	1984	140	190	05.17-	*
40 TFSI Mild Hybrid (DKYA)	Gasol./el éc.	FWD	1984	140	190	05.17-	*
40 TFSI Mild Hybrid (DLVA)	Gasol./el éc.	FWD	1984	140	190	05.17-	*
40 TFSI Mild Hybrid	Gasol./el éc.	FWD	1984	150	204	07.20-	*
40 TFSI Mild Hybrid quattro	Gasol./el éc.	4WD	1984	150	204	07.20-	*
45 TFSI Mild Hybrid (DKNA)	Gasol./el éc.	FWD	1984	180	245	07.18-08.20	*
45 TFSI Mild hybrid quattro (DKNA)	Gasol./el éc.	4WD	1984	180	245	07.18-08.20	*
2.0 TFSI Mild Hybrid (DDWA)	Gasol./el éc.	FWD	1984	185	252	05.17-02.20	*
2.0 TFSI Mild Hybrid quattro (DDWA)	Gasol./el éc.	4WD	1984	185	252	05.17-02.20	*
2.0 TFSI Mild Hybrid quattro (DLHB)	Gasol./el éc.	4WD	1984	185	252	05.17-02.20	*
45 TFSI Mild hybrid quattro	Gasol./el éc.	4WD	1984	195	265	10.19-	*
30 TDI Mild Hybrid (DEZB)	Diesel/el éc.	FWD	1968	100	136	10.19-	*
40 TDI Mild Hybrid	Diesel/el éc.	FWD	1968	150	204	09.20-	*
40 TDI Mild Hybrid quattro	Diesel/el éc.	4WD	1968	150	204	09.20-	*
S5 TDI Mild Hybrid quattro (DEWB)	Diesel/el éc.	4WD	2967	255	347	12.18-11.20	*
2.0 TDI (CZHA)	Diesel	FWD	1968	110	150	05.17-02.20	*
2.0 TDI (DEUA)	Diesel	FWD	1968	110	150	05.17-02.20	*
35 TDI (CZHA)	Diesel	FWD	1968	110	150	05.17-02.20	*
35 TDI (DEUA)	Diesel	FWD	1968	110	150	05.17-02.20	*
35 TDI (DEZE)	Diesel	FWD	1968	120	163	08.19-	*
2.0 TDI (DESA)	Diesel	FWD	1968	140	190	07.16-02.20	*
2.0 TDI (DETA)	Diesel	FWD	1968	140	190	07.16-02.20	*
2.0 TDI quattro (DESA)	Diesel	4WD	1968	140	190	10.16-12.19	*
2.0 TDI quattro (DETA)	Diesel	4WD	1968	140	190	10.16-12.19	*
40 TDI (DESA)	Diesel	FWD	1968	140	190	06.16-	*
40 TDI (DETA)	Diesel	FWD	1968	140	190	06.16-	*
40 TDI quattro (DETA)	Diesel	4WD	1968	140	190	10.16-	*

LISTA DE APLICACIONES - BUYERS GUIDE

3.0 TDI (CSWB)		Diesel	FWD	2967	160	218	11.16-08.18	*	
3.0 TDI quattro (CSWB)		Diesel	4WD	2967	160	218	07.16-08.18	*	
45 TDI quattro (DCPE)		Diesel	4WD	2967	170	231	07.18-11.20	*	
3.0 TDI quattro (CRTC)		Diesel	4WD	2967	200	272	02.17-12.17	*	
3.0 TDI quattro (DCPC)		Diesel	4WD	2967	210	286	01.17-02.20	*	
50 TDI quattro (DCPC)		Diesel	4WD	2967	210	286	01.17-11.20	*	
A5 II Sportback (F5A, F5F) 06.16-							[CAMBIADO]:Fastback (Compact executive car-D Segment)		
1.4 TFSI (CVNA)		Gasolina	FWD	1395	110	150	01.17-02.20	*	
2.0 TFSI (CVKB)		Gasolina	FWD	1984	140	190	01.17-02.20	*	
2.0 TFSI (DKYA)		Gasolina	FWD	1984	140	190	01.17-02.20	*	
40 TFSI (CVKB,DKYA)		Gasolina	FWD	1984	140	190	06.17-12.20	*	
40 TFSI (DMSA)		Gasolina	FWD	1984	150	204	11.20-	*	
2.0 TFSI quattro (CYRC)		Gasolina	4WD	1984	183	249	09.16-02.20	*	
2.0 TFSI (CYRB)		Gasolina	FWD	1984	185	252	11.16-02.20	*	
2.0 TFSI quattro (CYMC)		Gasolina	4WD	1984	185	252	09.16-	*	
2.0 TFSI quattro (CYRB)		Gasolina	4WD	1984	185	252	09.16-	*	
45 TFSI (CYRB)		Gasolina	FWD	1984	185	250	06.17-02.20	*	
45 TFSI quattro (CYRB,DLHB)		Gasolina	4WD	1984	185	252	06.17-	*	
RS5 TFSI quattro (DECA)		Gasolina	4WD	2894	331	450	06.18-	*	
S5 TFSI quattro (CWGD)		Gasolina	4WD	2995	260	354	09.16-	*	
2.0 TFSI g-tron (CVLA)		Gasol./Gas (CNG)	FWD	1984	125	170	02.17-02.20	*	
40 TFSI g-tron (CVLA)		Gasol./Gas (CNG)	FWD	1984	125	170	02.17-	*	
35 TFSI Mild Hybrid (DLVB)		Gasol./eléc.	FWD	1984	110	150	08.18-	*	
35 TFSI Mild Hybrid (DMSB)		Gasol./eléc.	FWD	1984	110	150	08.18-	*	
40 TFSI Mild Hybrid (DEMA)		Gasol./eléc.	FWD	1984	140	190	05.17-	*	
40 TFSI Mild Hybrid (DHDA)		Gasol./eléc.	FWD	1984	140	190	05.17-	*	
40 TFSI Mild Hybrid (DKYA)		Gasol./eléc.	FWD	1984	140	190	05.17-	*	
40 TFSI Mild Hybrid (DLVA)		Gasol./eléc.	FWD	1984	140	190	05.17-	*	
40 TFSI Mild Hybrid (DMSA)		Gasol./eléc.	FWD	1984	150	204	06.20-	*	
40 TFSI Mild Hybrid quattro (DMSA)		Gasol./eléc.	4WD	1984	150	204	06.20-	*	
45 TFSI Mild Hybrid (DKNA)		Gasol./eléc.	FWD	1984	180	245	07.18-02.20	*	
45 TFSI Mild hybrid quattro (DKNA)		Gasol./eléc.	4WD	1984	180	245	02.19-08.20	*	
2.0 TFSI Mild Hybrid (DDWA)		Gasol./eléc.	FWD	1984	185	252	05.17-02.20	*	
2.0 TFSI Mild Hybrid quattro (DDWA)		Gasol./eléc.	4WD	1984	185	252	05.17-02.20	*	
2.0 TFSI Mild Hybrid quattro (DLHB)		Gasol./eléc.	4WD	1984	185	252	05.17-02.20	*	
45 TFSI Mild hybrid quattro		Gasol./eléc.	4WD	1984	195	265	10.19-	*	
30 TDI Mild Hybrid (DEZB)		Diesel/eléc.	FWD	1968	100	136	10.19-	*	
40 TDI Mild Hybrid		Diesel/eléc.	FWD	1968	150	204	09.20-	*	
40 TDI Mild Hybrid quattro		Diesel/eléc.	4WD	1968	150	204	09.20-	*	
S5 TDI Mild Hybrid quattro (DEWB)		Diesel/eléc.	4WD	2967	255	347	12.18-	*	
2.0 TDI (DEUB)		Diesel	FWD	1968	100	136	05.17-02.20	*	

LISTA DE APLICACIONES - BUYERS GUIDE

2.0 TDI (CZHA)		Diesel	FWD	1968	110	150	01.17-02.20	*
2.0 TDI (DEUA)		Diesel	FWD	1968	110	150	01.17-02.20	*
2.0 TDI quattro (CZHA)		Diesel	4WD	1968	110	150	05.17-02.20	*
2.0 TDI quattro (DEUA)		Diesel	4WD	1968	110	150	05.17-02.20	*
35 TDI (DEUA)		Diesel	FWD	1968	110	150	01.17-02.20	*
35 TDI (DEZE)		Diesel	FWD	1968	120	163	08.19-	*
2.0 TDI (DESA)		Diesel	FWD	1968	140	190	09.16-04.20	*
2.0 TDI (DETA)		Diesel	FWD	1968	140	190	09.16-04.20	*
2.0 TDI quattro (DESA)		Diesel	4WD	1968	140	190	10.16-02.20	*
2.0 TDI quattro (DETA)		Diesel	4WD	1968	140	190	10.16-02.20	*
40 TDI (DESA)		Diesel	FWD	1968	140	190	09.16-	*
40 TDI (DETA)		Diesel	FWD	1968	140	190	09.16-	*
40 TDI quattro (DETA)		Diesel	4WD	1968	140	190	08.16-	*
3.0 TDI (CSWB)		Diesel	FWD	2967	160	218	03.17-08.18	*
3.0 TDI quattro (CSWB)		Diesel	4WD	2967	160	218	09.16-08.18	*
45 TDI quattro (DCPE)		Diesel	4WD	2967	170	231	07.18-	*
3.0 TDI quattro (CRTC)		Diesel	4WD	2967	200	272	02.17-12.17	*
3.0 TDI quattro (DCPC)		Diesel	4WD	2967	210	286	01.17-02.20	*
50 TDI quattro (DCPC)		Diesel	4WD	2967	210	286	01.17-	*
A5 Sportback (8TA) 07.07-10.17					[CAMBIADO]:Fastback (Compact executive car-D Segment)			
1.8 TFSI (CJED)		Gasolina	FWD	1798	106	144	09.14-01.17	*
1.8 TFSI (CDHB)		Gasolina	FWD	1798	118	160	11.09-09.11	*
1.8 TFSI (CJEB)		Gasolina	FWD	1798	125	170	08.11-01.17	*
1.8 TFSI (CJEE)		Gasolina	FWD	1798	130	177	05.15-01.17	*
2.0 TFSI (CDNB)		Gasolina	FWD	1984	132	180	09.09-06.14	*
2.0 TFSI (CDNC)		Gasolina	FWD	1984	155	211	09.09-11.13	*
2.0 TFSI quattro (CDNC)		Gasolina	4WD	1984	155	211	09.09-01.17	*
2.0 TFSI (CNCD)		Gasolina	FWD	1984	165	224	05.13-05.16	*
2.0 TFSI quattro (CNCD)		Gasolina	4WD	1984	165	224	05.13-05.16	*
2.0 TFSI (CNCE)		Gasolina	FWD	1984	169	230	08.15-01.17	*
2.0 TFSI quattro (CNCE)		Gasolina	4WD	1984	169	230	08.15-01.17	*
3.0 TFSI quattro (CHMB)		Gasolina	4WD	2995	200	272	12.11-01.17	*
3.0 TFSI quattro (CMUA)		Gasolina	4WD	2995	200	272	12.11-01.17	*
3.0 TFSI quattro (CRED)		Gasolina	4WD	2995	200	272	12.11-01.17	*
S5 quattro (CAKA)		Gasolina	4WD	2995	245	333	01.10-01.17	*
S5 quattro (CGWC)		Gasolina	4WD	2995	245	333	01.10-01.17	*
S5 quattro (CREC)		Gasolina	4WD	2995	245	333	01.10-01.17	*
S5 quattro (CTDA)		Gasolina	4WD	2995	245	333	01.10-01.17	*
3.2 FSI quattro (CALA)		Gasolina	4WD	3197	195	265	09.09-03.12	*
2.0 TDI (CAGB)		Diesel	FWD	1968	100	136	09.09-01.17	*
2.0 TDI (CJCB)		Diesel	FWD	1968	100	136	09.09-01.17	*
2.0 TDI (CSUB)		Diesel	FWD	1968	100	136	09.09-01.17	*
2.0 TDI (CAGA)		Diesel	FWD	1968	105	143	09.09-01.17	*
2.0 TDI (CJCA)		Diesel	FWD	1968	105	143	09.09-01.17	*
2.0 TDI (CMEA)		Diesel	FWD	1968	105	143	09.09-01.17	*
2.0 TDI (CMFA)		Diesel	FWD	1968	105	143	09.09-01.17	*
2.0 TDI (CJCD)		Diesel	FWD	1968	110	150	05.13-01.17	*
2.0 TDI (CMFB)		Diesel	FWD	1968	110	150	05.13-01.17	*
2.0 TDI (CSUA)		Diesel	FWD	1968	110	150	05.13-01.17	*
2.0 TDI (CAHB)		Diesel	FWD	1968	120	163	09.09-01.17	*
2.0 TDI (CGLD)		Diesel	FWD	1968	120	163	09.09-01.17	*

LISTA DE APLICACIONES - BUYERS GUIDE

2.0 TDI (CNHC)		Diesel	FWD	1968	120	163	09.09-01.17	*
2.0 TDI (CAHA)		Diesel	FWD	1968	125	170	09.09-03.12	*
2.0 TDI quattro (CAHA)		Diesel	4WD	1968	125	170	09.09-03.12	*
2.0 TDI (CGLC)		Diesel	FWD	1968	130	177	10.11-01.17	*
2.0 TDI quattro (CGLC)		Diesel	4WD	1968	130	177	12.11-01.17	*
2.0 TDI (CNHA)		Diesel	FWD	1968	140	190	09.13-01.17	*
2.0 TDI quattro (CNHA)		Diesel	4WD	1968	140	190	09.13-01.17	*
2.7 TDI (CGKB)		Diesel	FWD	2698	120	163	09.09-03.12	*
2.7 TDI (CAMA)		Diesel	FWD	2698	140	190	09.09-03.12	*
2.7 TDI (CGKA)		Diesel	FWD	2698	140	190	09.09-03.12	*
3.0 TDI (CLAB)		Diesel	FWD	2967	150	204	10.11-01.17	*
3.0 TDI quattro (CKVD)		Diesel	4WD	2967	160	218	05.15-01.17	*
3.0 TDI quattro (CCWA)		Diesel	4WD	2967	176	240	09.09-03.12	*
3.0 TDI quattro (CDUC)		Diesel	4WD	2967	180	245	10.11-01.17	*
3.0 TDI quattro (CKVB)		Diesel	4WD	2967	180	245	10.11-01.17	*
3.0 TDI quattro (CKVC)		Diesel	4WD	2967	180	245	10.11-01.17	*
A6 V C8 Avant (4A5) 05.18-							[CAMBIADO]:Break (Executive car-E Segment)	
40 TFSI 12V		Gasolina	FWD	1984	140	190	04.20-	*
40 TFSI (DMTC)		Gasolina	FWD	1984	150	204	09.20-	*
45 TFSI		Gasolina	FWD	1984	180	245	04.20-	*
40 TFSI Mild Hybrid		Gasol./el éc.	FWD	1984	140	190	02.19-	*
40 TFSI Mild Hybrid		Gasol./el éc.	FWD	1984	150	204	01.21-	*
45 TFSI Mild Hybrid (DKNA)		Gasol./el éc.	FWD	1984	180	245	08.18-	*
45 TFSI Mild Hybrid (DLHA)		Gasol./el éc.	FWD	1984	180	245	08.18-	*
45 TFSI Mild hybrid quattro (DKNA)		Gasol./el éc.	4WD	1984	180	245	08.18-	*
45 TFSI Mild hybrid quattro (DLHA)		Gasol./el éc.	4WD	1984	180	245	08.18-	*
45 TFSI Mild Hybrid (DMTA)		Gasol./el éc.	FWD	1984	195	265	05.20-	*
45 TFSI Mild hybrid quattro (DMTA)		Gasol./el éc.	4WD	1984	195	265	05.20-	*
55 TFSI e quattro		Gasol./el éc.	4WD	1984	195	265	02.21-	*
50 TFSI e quattro		Gasol./el éc.	4WD	1984	220	299	02.21-	*
50 TFSI e quattro		Gasol./el éc.	4WD	1984	220	299	02.21-	*
55 TFSI e quattro (DLGA)		Gasol./el éc.	4WD	1984	270	367	04.20-	*
55 TFSI e quattro (DLGA)		Gasol./el éc.	4WD	1984	270	367	02.21-	*
55 TFSI Mild Hybrid quattro (DLZA)		Gasol./el éc.	4WD	2995	250	340	05.18-	*
30 TDI Mild Hybrid (DEZF)		Diesel/el éc.	FWD	1968	100	136	01.19-	*
35 TDI Mild Hybrid (DEZD)		Diesel/el éc.	FWD	1968	120	163	03.19-	*
35 TDI Mild Hybrid		Diesel/el éc.	FWD	1968	120	163	10.20-	*
35 TDI Mild Hybrid quattro		Diesel/el éc.	4WD	1968	120	163	10.20-	*
40 TDI Mild Hybrid		Diesel/el éc.	FWD	1968	140	190	02.19-	*
40 TDI Mild Hybrid (DFBA)		Diesel/el éc.	FWD	1968	150	204	05.18-	*
40 TDI Mild Hybrid quattro (DFBA)		Diesel/el éc.	4WD	1968	150	204	07.18-	*

LISTA DE APLICACIONES - BUYERS GUIDE

45 TDI Mild Hybrid quattro (DDVF)		Diesel/el éc.	4WD	2967	155	211	07.18-	*
45 TDI Mild Hybrid quattro (DDVE)		Diesel/el éc.	4WD	2967	170	231	05.18-	*
45 TDI Mild Hybrid quattro		Diesel/el éc.	4WD	2967	180	245	01.21-	*
50 TDI Mild Hybrid quattro (DDVB)		Diesel/el éc.	4WD	2967	210	286	05.18-	*
S6 TDI Mild Hybrid quattro		Diesel/el éc.	4WD	2967	253	344	11.20-	*
S6 TDI Mild Hybrid quattro (DEWA)		Diesel/el éc.	4WD	2967	257	349	03.19-	*
45 TDI quattro		Diesel	4WD	2967	183	249	07.19-	*
A6 V Allroad C8 (4AH) 11.18-					[CAMBIADO]:Break (Executive car-E Segment)			
40 TDI Mild Hybrid quattro		Diesel/el éc.	4WD	1968	150	204	09.20-	*
45 TDI Mild Hybrid quattro (DDVE)		Diesel/el éc.	4WD	2967	170	231	11.18-	*
45 TDI Mild Hybrid quattro		Diesel/el éc.	4WD	2967	180	245	01.21-	*
50 TDI Mild Hybrid quattro (DDVB)		Diesel/el éc.	4WD	2967	210	286	11.18-	*
55 TDI Mild Hybrid quattro		Diesel/el éc.	4WD	2967	253	344	11.20-	*
A6 V C8 (4A2) 02.18-					Sedán (Executive car-E Segment)			
40 TFSI (DMTC)		Gasolina	FWD	1984	150	204	09.20-	*
40 TFSI Mild Hybrid		Gasol./el éc.	FWD	1984	140	190	02.19-	*
45 TFSI Mild Hybrid (DKNA)		Gasol./el éc.	FWD	1984	180	245	08.18-	*
45 TFSI Mild Hybrid (DLHA)		Gasol./el éc.	FWD	1984	180	245	08.18-	*
45 TFSI Mild hybrid quattro (DKNA)		Gasol./el éc.	4WD	1984	180	245	08.18-	*
45 TFSI Mild hybrid quattro (DLHA)		Gasol./el éc.	4WD	1984	180	245	08.18-	*
55 TFSI e quattro (DLGA)		Gasol./el éc.	4WD	1984	185	252	11.19-	*
45 TFSI Mild Hybrid (DMTA)		Gasol./el éc.	FWD	1984	195	265	05.20-	*
45 TFSI Mild hybrid quattro (DMTA)		Gasol./el éc.	4WD	1984	195	265	05.20-	*
50 TFSI e quattro (DLGA)		Gasol./el éc.	4WD	1984	220	299	11.19-	*
50 TFSI e quattro (DLGA)		Gasol./el éc.	4WD	1984	220	299	11.19-	*
50 TFSI e quattro		Gasol./el éc.	4WD	1984	220	299	02.21-	*
55 TFSI e quattro (DLGA)		Gasol./el éc.	4WD	1984	270	367	11.19-	*
55 TFSI e quattro		Gasol./el éc.	4WD	1984	270	367	02.21-	*
S6 TFSI Mild Hybrid quattro		Gasol./el éc.	4WD	2894	331	450	01.20-	*
55 TFSI Mild Hybrid quattro (DLZA)		Gasol./el éc.	4WD	2995	250	340	02.18-	*
30 TDI Mild Hybrid (DEZF)		Diesel/el éc.	FWD	1968	100	136	01.19-	*
35 TDI Mild Hybrid (DEZD)		Diesel/el éc.	FWD	1968	120	163	03.19-	*
35 TDI Mild Hybrid		Diesel/el éc.	FWD	1968	120	163	11.20-	*
35 TDI Mild Hybrid quattro		Diesel/el éc.	4WD	1968	120	163	11.20-	*
40 TDI Mild Hybrid (DFBA)		Diesel/el éc.	FWD	1968	150	204	07.18-	*
40 TDI Mild Hybrid quattro (DFBA)		Diesel/el éc.	4WD	1968	150	204	07.18-	*

LISTA DE APLICACIONES - BUYERS GUIDE

40 TDI Mild Hybrid quattro		Diesel/el éc.	4WD	1968	150	204	07.18-	*
40 TDI Mild Hybrid quattro		Diesel/el éc.	4WD	1968	150	204	10.20-	*
45 TDI Mild Hybrid quattro (DDVF)		Diesel/el éc.	4WD	2967	155	211	07.18-	*
45 TDI Mild Hybrid quattro (DDVE)		Diesel/el éc.	4WD	2967	170	231	07.18-	*
45 TDI Mild Hybrid quattro		Diesel/el éc.	4WD	2967	180	245	01.21-	*
50 TDI Mild Hybrid quattro (DDVB)		Diesel/el éc.	4WD	2967	210	286	02.18-	*
S6 TDI Mild Hybrid quattro		Diesel/el éc.	4WD	2967	253	344	01.21-	*
S6 TDI Mild Hybrid quattro (DEWA)		Diesel/el éc.	4WD	2967	257	349	03.19-	*
40 TDI		Diesel	FWD	1968	140	190	02.19-	*
45 TDI quattro		Diesel	4WD	2967	183	249	07.19-	*
A7 II Sportback (4KA) 10.17-					[CAMBIADO]:Fastback (Executive car-E Segment)			
40 TFSI Mild Hybrid		Gasol./el éc.	FWD	1984	140	190	08.20-	*
40 TFSI Mild Hybrid		Gasol./el éc.	FWD	1984	150	204	08.20-	*
45 TFSI Mild Hybrid (DKNA)		Gasol./el éc.	FWD	1984	180	245	07.18-	*
45 TFSI Mild Hybrid (DLHA)		Gasol./el éc.	FWD	1984	180	245	07.18-	*
45 TFSI Mild hybrid quattro (DKNA)		Gasol./el éc.	4WD	1984	180	245	07.18-	*
45 TFSI Mild hybrid quattro (DLHA)		Gasol./el éc.	4WD	1984	180	245	07.18-	*
45 TFSI Mild Hybrid		Gasol./el éc.	FWD	1984	195	265	05.20-	*
45 TFSI Mild hybrid quattro		Gasol./el éc.	4WD	1984	195	265	05.20-	*
50 TFSI e quattro (DLGA)		Gasol./el éc.	4WD	1984	220	299	11.19-	*
50 TFSI e quattro		Gasol./el éc.	4WD	1984	220	299	02.21-	*
55 TFSI e quattro		Gasol./el éc.	4WD	1984	270	367	07.19-	*
55 TFSI e quattro		Gasol./el éc.	4WD	1984	270	367	07.19-	*
55 TFSI e quattro		Gasol./el éc.	4WD	1984	270	367	02.21-	*
S7 TFSI Mild Hybrid quattro		Gasol./el éc.	4WD	2894	331	450	01.20-	*
35 TDI Mild Hybrid		Diesel/el éc.	FWD	1968	120	163	10.20-	*
40 TDI Mild Hybrid (DFBA)		Diesel/el éc.	FWD	1968	150	204	09.18-	*
40 TDI Mild Hybrid quattro (DFBA)		Diesel/el éc.	4WD	1968	150	204	09.18-	*
45 TDI Mild Hybrid quattro (DDVF)		Diesel/el éc.	4WD	2967	155	211	04.18-	*
45 TDI Mild Hybrid quattro (DDVE)		Diesel/el éc.	4WD	2967	170	231	06.18-	*
45 TDI Mild Hybrid quattro		Diesel/el éc.	4WD	2967	180	245	01.21-	*
50 TDI Mild Hybrid quattro (DDVB)		Diesel/el éc.	4WD	2967	210	286	10.17-	*
S7 TDI Mild Hybrid quattro (DEWA)		Diesel/el éc.	4WD	2967	257	349	03.19-	*
45 TDI quattro		Diesel	4WD	2967	183	249	09.19-	*
Q5 II (FYB, FYG) 05.16-					Furgoneta/SUV (Luxury Crossover SUV-J Segment)			
3.0 SQ5 TDI Mild Hybrid quattro		Diesel/el éc.	4WD	2967	255	347	02.19-11.20	*

LISTA DE APLICACIONES - BUYERS GUIDE

3.0 TDI quattro		Diesel	4WD	2967	210	286	07.17-11.20	*
Q5 II (FYB, FYG) 05.16-					SUV (Luxury Crossover SUV-J Segment)			
2.0 TFSI quattro		Gasolina	4WD	1984	180	245	08.18-	*
2.0 TFSI quattro (DAXC)		Gasolina	4WD	1984	183	249	01.17-11.20	*
2.0 TFSI quattro (DAXB)		Gasolina	4WD	1984	185	252	06.16-11.20	*
2.0 TFSI quattro (DAYB)		Gasolina	4WD	1984	185	252	06.16-11.20	*
SQ5 TFSI quattro (CWGD)		Gasolina	4WD	2995	260	354	11.16-	*
40 TFSI Mild Hybrid quattro		Gasol./el éc.	4WD	1984	150	204	10.21-	*
45 TFSI Mild hybrid quattro (DGKB)		Gasol./el éc.	4WD	1984	180	245	12.18-	*
45 TFSI Mild hybrid quattro (DNNTA)		Gasol./el éc.	4WD	1984	180	245	12.18-	*
50 TFSI e quattro (DLGA)		Gasol./el éc.	4WD	1984	185	252	04.19-11.20	*
55 TFSI e quattro (DLGA)		Gasol./el éc.	4WD	1984	185	252	08.19-11.20	*
45 TFSI Mild hybrid quattro (DPUA)		Gasol./el éc.	4WD	1984	195	265	08.20-	*
45 TFSI Mild hybrid quattro (DPVA)		Gasol./el éc.	4WD	1984	195	265	08.20-	*
55 TFSI e quattro		Gasol./el éc.	4WD	1984	195	265	02.21-	*
50 TFSI e quattro (DLGA)		Gasol./el éc.	4WD	1984	220	299	04.19-	*
50 TFSI e quattro		Gasol./el éc.	4WD	1984	220	299	02.21-	*
55 TFSI e quattro (DLGA)		Gasol./el éc.	4WD	1984	270	367	08.19-	*
55 TFSI e quattro		Gasol./el éc.	4WD	1984	270	367	02.21-	*
30 TDI Mild Hybrid (DEZB)		Diesel/el éc.	FWD	1968	100	136	09.19-	*
35 TDI Mild Hybrid (DEZE)		Diesel/el éc.	FWD	1968	120	163	09.19-	*
40 TDI Mild Hybrid quattro (DFBA)		Diesel/el éc.	4WD	1968	150	204	09.19-	*
50 TDI Mild Hybrid quattro (DMGA)		Diesel/el éc.	4WD	2967	210	286	06.20-	*
SQ5 TDI Mild Hybrid quattro		Diesel/el éc.	4WD	2967	251	341	01.21-	*
SQ5 TDI Mild Hybrid quattro (DEWB)		Diesel/el éc.	4WD	2967	255	347	02.19-09.20	*
2.0 TDI (DEUB)		Diesel	FWD	1968	100	136	01.17-11.20	*
2.0 TDI (DEUA)		Diesel	FWD	1968	110	150	01.17-11.20	*
2.0 TDI quattro (DETB)		Diesel	4WD	1968	120	163	06.16-08.18	*
35 TDI		Diesel	FWD	1968	120	163	10.21-	*
35 TDI quattro (DETB)		Diesel	4WD	1968	120	163	08.18-11.20	*
2.0 TDI quattro (DESA)		Diesel	4WD	1968	140	190	06.16-08.18	*
2.0 TDI quattro (DETA)		Diesel	4WD	1968	140	190	06.16-08.18	*
40 TDI quattro (DESA)		Diesel	4WD	1968	140	190	10.18-	*
40 TDI quattro (DETA)		Diesel	4WD	1968	140	190	10.18-	*
45 TDI quattro (DCPE)		Diesel	4WD	2967	170	231	08.18-11.20	*
3.0 TDI quattro (DCPC)		Diesel	4WD	2967	210	286	07.17-11.20	*
50 TDI quattro (DCPC)		Diesel	4WD	2967	210	286	03.19-11.20	*
Q5 II Sportback (FYT) 11.20-					SUV (Luxury Crossover SUV-J Segment)			
40 TFSI Mild Hybrid quattro		Gasol./el éc.	4WD	1984	150	204	10.21-	*
45 TFSI Mild hybrid quattro		Gasol./el éc.	4WD	1984	195	265	11.20-	*
50 TFSI e quattro		Gasol./el éc.	4WD	1984	220	299	02.21-	*

LISTA DE APLICACIONES - BUYERS GUIDE

2.0 55 TFSI e quattro	Gasol./el éc.	4WD	1984	270	367	07.21-	*
55 TFSI e quattro	Gasol./el éc.	4WD	1984	270	367	06.21-	*
35 TDI Mild Hybrid	Diesel/el éc.	FWD	1968	120	163	04.21-	*
40 TDI Mild Hybrid quattro	Diesel/el éc.	4WD	1968	150	204	11.20-	*
SQ5 TDI Mild Hybrid quattro	Diesel/el éc.	4WD	2967	251	341	02.21-	*

AUDI (FAW)

A4L V B9 (868, 86L) 09.16-							Sedán (Compact executive car-D Segment)	
35 TFSI	Gasolina	FWD	1395	110	150	09.17-	*	
35 TFSI	Gasolina	FWD	1984	110	150	10.18-	*	
40 TFSI	Gasolina	FWD	1984	140	190	09.16-	*	
45 TFSI	Gasolina	FWD	1984	185	252	09.16-	*	
A6L IV C8 (488) 01.19-							Sedán (Executive car-E Segment)	
40 TFSI	Gasolina	FWD	1984	140	190	01.19-	*	
45 TFSI	Gasolina	FWD	1984	165	224	01.19-	*	
45 TFSI quattro	Gasolina	4WD	1984	165	224	01.19-	*	
55 TFSI e quattro	Gasol./el éc.	4WD	1984	185	252	01.20-	*	
55 TFSI e quattro	Gasol./el éc.	4WD	1984	270	367	01.20-	*	
55 TFSI Mild Hybrid quattro	Gasol./el éc.	4WD	2995	250	340	01.19-	*	
Q5L II Sportback (87F) 11.20-							SUV (Luxury Crossover SUV-J Segment)	
40 TFSI quattro (DTAA)	Gasolina	4WD	1984	140	190	11.20-	*	
45 TFSI quattro (DKWA)	Gasolina	4WD	1984	185	252	11.20-	*	