

# LISTA DE APLICACIONES - BUYERS GUIDE

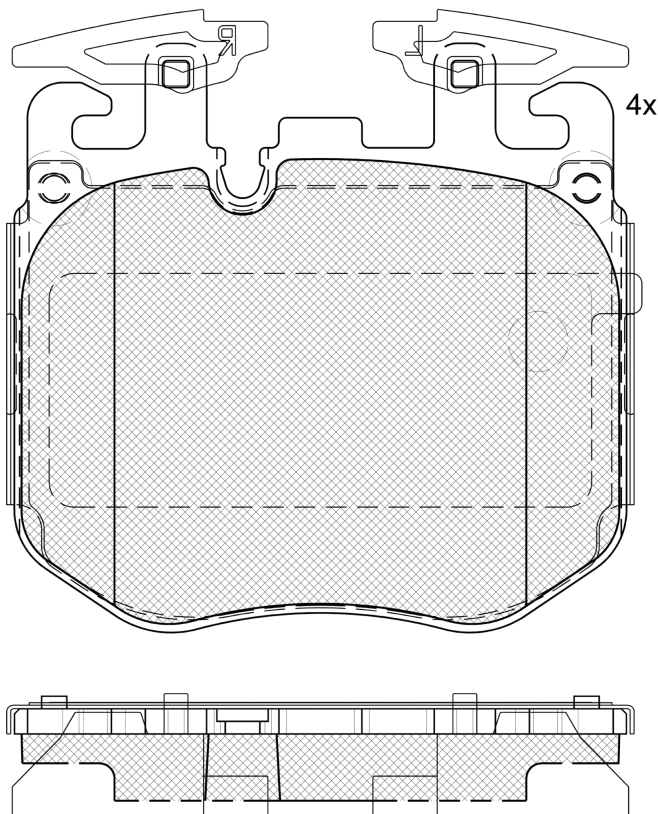
## RB2265



Qty: 300

Weight: 3.740

| O.E.M.          | MAKE |
|-----------------|------|
| 34 10 6 883 510 | BMW  |
| 34 10 6 888 459 | BMW  |
| 34 10 8 064 560 | BMW  |
| 34 10 8 064 562 | BMW  |
| 34 10 8 094 045 | BMW  |
| 34 11 6 874 431 | BMW  |
| 34 11 6 874 432 | BMW  |
| 34 11 6 888 460 | BMW  |
| 34 11 6 889 585 | BMW  |
| 34108064561     | BMW  |
| 6874431         | BMW  |
| 6874432         | BMW  |
| 6883510         | BMW  |
| 6888459         | BMW  |
| 6888460         | BMW  |
| 6889585         | BMW  |
| 8064560         | BMW  |
| 8064561         | BMW  |



## RB2265

**E 9 90R-02A0111/4545**



Brembo

124.9x117.3x19.6

| WVA   | FMSI       |
|-------|------------|
| 22392 | D1868-9098 |
| 22618 |            |

Sin Filas



| Trac. | CC | Kw | CV |
|-------|----|----|----|
|-------|----|----|----|



Front / Rear

### ALPINA

|                                    |  |  |  |  |  | Sedán (Compact executive car-D Segment)                   |     |      |     |     |             |   |
|------------------------------------|--|--|--|--|--|---|-----|------|-----|-----|-------------|---|
| <b>B3 VII (G20) 09.19-</b>         |  |  |  |  |  |   |     |      |     |     |             |   |
| BITURBO A las 4 ruedas             |  |  |  |  |  | Gasolina  | 4WD | 2993 | 340 | 462 | 09.19-12.25 | * |
| <b>B3 VII Touring (G21) 09.19-</b> |  |  |  |  |  | <b>[CAMBIADO]:Break (Compact executive car-D Segment)</b> |     |      |     |     |             |   |
| BITURBO A las 4 ruedas             |  |  |  |  |  | Gasolina  | 4WD | 2993 | 340 | 462 | 09.19-12.25 | * |
| <b>B7 V (G12) 02.16-</b>           |  |  |  |  |  | <b>Sedán (Luxury car-F Segment)</b>                       |     |      |     |     |             |   |
| BITURBO A las 4 ruedas (N63 B44 C) |  |  |  |  |  | Gasolina  | 4WD | 4395 | 447 | 608 | 02.16-12.22 | * |
| BITURBO A las 4 ruedas (N63 M30 A) |  |  |  |  |  | Gasolina  | 4WD | 4395 | 447 | 608 | 02.16-12.22 | * |
| <b>D3 III (G20) 05.20-</b>         |  |  |  |  |  | <b>Sedán (Compact executive car-D Segment)</b>            |     |      |     |     |             |   |
| S (B57 D30 B)                      |  |  |  |  |  | Diesel/el éc.   | 4WD | 2993 | 261 | 355 | 05.20-12.25 | * |
| <b>D3 III Touring (G21) 05.20-</b> |  |  |  |  |  | <b>[CAMBIADO]:Break (Compact executive car-D Segment)</b> |     |      |     |     |             |   |
| S (B57 D30 B)                      |  |  |  |  |  | Diesel/el éc.   | 4WD | 2993 | 261 | 355 | 05.20-12.25 | * |
| <b>XB7 (G07) 05.20-</b>            |  |  |  |  |  | <b>SUV (Luxury Crossover SUV-J Segment)</b>               |     |      |     |     |             |   |
| BITURBO (N63 B44 D)                |  |  |  |  |  | Gasolina  | 4WD | 4395 | 457 | 621 | 05.20-11.25 | * |

### BMW

|                                     |  |  |  |  |  | Coupé (Compact car-C Segment) |     |      |     |     |        |   |
|-------------------------------------|--|--|--|--|--|-------------------------------|-----|------|-----|-----|--------|---|
| <b>2 Serie II (G42, G87) 08.21-</b> |  |  |  |  |  |                               |     |      |     |     |        |   |
| 218i                                |  |  |  |  |  | Gasolina                      | RWD | 1998 | 115 | 156 | 07.22- | * |
| 230 i xDrive (B48 B20 B)            |  |  |  |  |  | Gasolina                      | 4WD | 1998 | 190 | 258 | 08.21- | * |
| M240 i (B58 B30 C)                  |  |  |  |  |  | Gasolina                      | RWD | 2998 | 245 | 333 | 08.22- | * |
| M240 i                              |  |  |  |  |  | Gasolina                      | RWD | 2998 | 275 | 374 | 07.22- | * |
| M240 i xDrive                       |  |  |  |  |  | Gasolina                      | 4WD | 2998 | 275 | 374 | 08.21- | * |

# LISTA DE APLICACIONES - BUYERS GUIDE

|   |  |               |     |      |     |     |  |   |  |
|---|--|---------------|-----|------|-----|-----|--|---|--|
| M240 i (B58 B30 B)                        |  | Gasolina      | RWD | 2998 | 285 | 387 | 07.22-   | * |  |
| M240 i xDrive (B58 B30 B)                 |  | Gasolina      | 4WD | 2998 | 285 | 387 | 08.22-   | * |  |
| <b>3 Serie VII (G20, G80, G28) 11.18-</b> |  |               |     |      |     |     | <b>Sedán (Compact executive car-D Segment)</b> |   |  |
| 320 i 1.6 (B48 B16 A)                     |  | Gasolina      | RWD | 1597 | 125 | 170 | 03.19-   | * |  |
| 318i (B48 B20 A)                          |  | Gasolina      | RWD | 1998 | 115 | 156 | 03.20-   | * |  |
| 320i (B48 B20 A)                          |  | Gasolina      | RWD | 1998 | 135 | 184 | 03.19-   | * |  |
| 320i (B48 B20 B)                          |  | Gasolina      | RWD | 1998 | 135 | 184 | 03.19-   | * |  |
| 320 i xDrive (B48 B20 A)                  |  | Gasolina      | 4WD | 1998 | 135 | 184 | 07.19-   | * |  |
| 330i (B46 B20 B)                          |  | Gasolina      | RWD | 1998 | 190 | 258 | 11.18-   | * |  |
| 330i (B48 B20 B)                          |  | Gasolina      | RWD | 1998 | 190 | 258 | 11.18-   | * |  |
| 330 i xDrive (B46 B20 B)                  |  | Gasolina      | 4WD | 1998 | 190 | 258 | 11.18-   | * |  |
| 330 i xDrive (B48 B20 B)                  |  | Gasolina      | 4WD | 1998 | 190 | 258 | 11.18-   | * |  |
| 330 Li (B48 B20 B)                        |  | Gasolina      | RWD | 1998 | 190 | 255 | 02.21-   | * |  |
| M 340 i xDrive (B58 B30 B)                |  | Gasolina      | 4WD | 2998 | 275 | 374 | 07.19-   | * |  |
| M 340 i                                   |  | Gasolina      | RWD | 2998 | 285 | 387 | 03.19-   | * |  |
| M 340 i xDrive (B58 B30 B)                |  | Gasolina      | 4WD | 2998 | 285 | 387 | 03.19-   | * |  |
| 2.0 320i ActiveFlex (B42T20A)             |  | Gasol./Etanol | RWD | 1998 | 135 | 184 | 01.21-   | * |  |
| 320 e Plug-in-Hybrid (B48 B20 A)          |  | Gasol./eléc.  | RWD | 1998 | 120 | 163 | 07.20-   | * |  |
| 320 e Plug-in-Hybrid (GC1)                |  | Gasol./eléc.  | RWD | 1998 | 120 | 163 | 07.20-   | * |  |
| 330 e Plug-in-Hybrid (B46 B20 B)          |  | Gasol./eléc.  | RWD | 1998 | 135 | 184 | 07.19-   | * |  |
| 330 e Plug-in-Hybrid (B48 B20 A)          |  | Gasol./eléc.  | RWD | 1998 | 135 | 184 | 07.19-   | * |  |
| 330 e Plug-in-Hybrid (B48 B20 B)          |  | Gasol./eléc.  | RWD | 1998 | 135 | 184 | 07.19-   | * |  |
| 330 e Plug-in-Hybrid (GC1)                |  | Gasol./eléc.  | RWD | 1998 | 135 | 184 | 07.19-   | * |  |
| 330 e Plug-in-Hybrid xDrive (B46 B20 B)   |  | Gasol./eléc.  | 4WD | 1998 | 135 | 184 | 07.20-   | * |  |
| 330 e Plug-in-Hybrid xDrive (B48 B20 A)   |  | Gasol./eléc.  | 4WD | 1998 | 135 | 184 | 07.20-   | * |  |
| 330 e Plug-in-Hybrid xDrive (GC1)         |  | Gasol./eléc.  | 4WD | 1998 | 135 | 184 | 07.20-   | * |  |
| 320 e Plug-in-Hybrid (B48 B20 A)          |  | Gasol./eléc.  | RWD | 1998 | 150 | 204 | 07.20-   | * |  |
| 320 e Plug-in-Hybrid (GC1)                |  | Gasol./eléc.  | RWD | 1998 | 150 | 204 | 07.20-   | * |  |
| 330 e Plug-in-Hybrid (B46 B20 B)          |  | Gasol./eléc.  | RWD | 1998 | 185 | 252 | 07.19-02.20                                    | * |  |
| 330 e Plug-in-Hybrid (B48 B20 A)          |  | Gasol./eléc.  | RWD | 1998 | 185 | 252 | 07.19-02.20                                    | * |  |
| 330 e Plug-in-Hybrid (B48 B20 B)          |  | Gasol./eléc.  | RWD | 1998 | 185 | 252 | 07.19-02.20                                    | * |  |
| 330 e Plug-in-Hybrid (GC1)                |  | Gasol./eléc.  | RWD | 1998 | 185 | 252 | 07.19-02.20                                    | * |  |
| 330 e Plug-in-Hybrid (B46 B20 B)          |  | Gasol./eléc.  | RWD | 1998 | 215 | 292 | 07.19-   | * |  |
| 330 e Plug-in-Hybrid (B48 B20 B)          |  | Gasol./eléc.  | RWD | 1998 | 215 | 292 | 07.19-   | * |  |
| 330 e Plug-in-Hybrid (GC1)                |  | Gasol./eléc.  | RWD | 1998 | 215 | 292 | 07.19-   | * |  |
| 330 e Plug-in-Hybrid xDrive (B46 B20 B)   |  | Gasol./eléc.  | 4WD | 1998 | 215 | 292 | 07.20-   | * |  |
| 330 e Plug-in-Hybrid xDrive (B48 B20 A)   |  | Gasol./eléc.  | 4WD | 1998 | 215 | 292 | 07.20-   | * |  |
| 330 e Plug-in-Hybrid xDrive (GC1)         |  | Gasol./eléc.  | 4WD | 1998 | 215 | 292 | 07.20-   | * |  |
| M 340 i Mild-Hybrid xDrive (B58 B30 B)    |  | Gasol./eléc.  | 4WD | 2998 | 275 | 374 | 11.20-   | * |  |
| M 340 i Mild-Hybrid xDrive (JA1)          |  | Gasol./eléc.  | 4WD | 2998 | 275 | 374 | 11.20-   | * |  |

# LISTA DE APLICACIONES - BUYERS GUIDE

|  |  |               |     |      |   |     |             |   |
|--|--|---------------|-----|------|---|-----|-------------|---|
| 316 d Mild-Hybrid (B47 D20 B)                |  | Diesel/el éc. | RWD | 1995 | 85  | 116 | 11.20-      | * |
| 316 d Mild-Hybrid (JA1)                      |  | Diesel/el éc. | RWD | 1995 | 85  | 116 | 11.20-      | * |
| 316 d Mild-Hybrid (B47 D20 B)                |  | Diesel/el éc. | RWD | 1995 | 90  | 122 | 08.20-      | * |
| 316 d Mild-Hybrid (JA1)                      |  | Diesel/el éc. | RWD | 1995 | 90  | 122 | 08.20-      | * |
| 318 d Mild-Hybrid (B47 D20 B)                |  | Diesel/el éc. | RWD | 1995 | 100   | 136 | 04.20-      | * |
| 318 d Mild-Hybrid (JA1)                      |  | Diesel/el éc. | RWD | 1995 | 100   | 136 | 04.20-      | * |
| 318 d Mild-Hybrid (B47 D20 B)                |  | Diesel/el éc. | RWD | 1995 | 110   | 150 | 04.20-      | * |
| 318 d Mild-Hybrid (JA1)                      |  | Diesel/el éc. | RWD | 1995 | 110   | 150 | 04.20-      | * |
| 320 d Mild-Hybrid (B47 D20 B)                |  | Diesel/el éc. | RWD | 1995 | 120   | 163 | 03.20-      | * |
| 320 d Mild-Hybrid (JA1)                      |  | Diesel/el éc. | RWD | 1995 | 120   | 163 | 03.20-      | * |
| 320 d Mild-Hybrid xDrive (B47 D20 B)         |  | Diesel/el éc. | 4WD | 1995 | 120   | 163 | 03.20-      | * |
| 320 d Mild-Hybrid xDrive (JA1)               |  | Diesel/el éc. | 4WD | 1995 | 120   | 163 | 03.20-      | * |
| 320 d Mild-Hybrid (B47 D20 B)                |  | Diesel/el éc. | RWD | 1995 | 140   | 190 | 03.20-      | * |
| 320 d Mild-Hybrid (JA1)                      |  | Diesel/el éc. | RWD | 1995 | 140   | 190 | 03.20-      | * |
| 320 d Mild-Hybrid xDrive (B47 D20 B)         |  | Diesel/el éc. | 4WD | 1995 | 140   | 190 | 03.20-      | * |
| 320 d Mild-Hybrid xDrive (JA1)               |  | Diesel/el éc. | 4WD | 1995 | 140   | 190 | 03.20-      | * |
| 330 d Mild-Hybrid (B57 D30 B)                |  | Diesel/el éc. | RWD | 2993 | 210   | 286 | 11.20-      | * |
| 330 d Mild-Hybrid (JA1)                      |  | Diesel/el éc. | RWD | 2993 | 210   | 286 | 11.20-      | * |
| 330 d Mild-Hybrid xDrive (B57 D30 B)         |  | Diesel/el éc. | 4WD | 2993 | 210   | 286 | 11.20-      | * |
| 330 d Mild-Hybrid xDrive (JA1)               |  | Diesel/el éc. | 4WD | 2993 | 210   | 286 | 11.20-      | * |
| M340 d Mild-Hybrid xDrive (B57 D30 B)        |  | Diesel/el éc. | 4WD | 2993 | 250   | 340 | 04.20-      | * |
| M340 d Mild-Hybrid xDrive (JA1)              |  | Diesel/el éc. | 4WD | 2993 | 250   | 340 | 04.20-      | * |
| 316 d (B47 D20 B)                            |  | Diesel        | RWD | 1995 | 85  | 116 | 11.20-      | * |
| 316 d (B47 D20 B)                            |  | Diesel        | RWD | 1995 | 90  | 122 | 03.20-      | * |
| 318 d (B47 D20 B)                            |  | Diesel        | RWD | 1995 | 100   | 136 | 03.19-03.20 | * |
| 318 d (B47 D20 B)                            |  | Diesel        | RWD | 1995 | 110   | 150 | 03.19-03.20 | * |
| 320 d (B47 D20 B)                            |  | Diesel        | RWD | 1995 | 120   | 163 | 11.18-02.20 | * |
| 320 d xDrive (B47 D20 B)                     |  | Diesel        | 4WD | 1995 | 120   | 163 | 11.18-02.20 | * |
| 320 d (B47 D20 B)                            |  | Diesel        | RWD | 1995 | 140   | 190 | 11.18-      | * |
| 320 d xDrive (B47 D20 B)                     |  | Diesel        | 4WD | 1995 | 140   | 190 | 11.18-02.20 | * |
| 330 d (B57 D30 A)                            |  | Diesel        | RWD | 2993 | 195   | 265 | 03.19-      | * |
| 330 d xDrive (B57 D30 A)                     |  | Diesel        | 4WD | 2993 | 195   | 265 | 07.19-      | * |
| <b>3 Serie VII Touring (G21, G81) 07.19-</b> |  |               |     |      | <b>[CAMBIADO]:Break (Compact executive car-D Segment)</b> |     |             |   |
| 318i (B48 B20 A)                             |  | Gasolina      | RWD | 1998 | 115   | 156 | 03.20-      | * |
| 320i (B46 B20 B)                             |  | Gasolina      | RWD | 1998 | 135   | 184 | 11.19-      | * |
| 320i (B48 B20 A)                             |  | Gasolina      | RWD | 1998 | 135   | 184 | 11.19-      | * |
| 330i   |  | Gasolina      | RWD | 1998 | 180   | 245 | 07.19-      | * |
| 330 i xDrive                                 |  | Gasolina      | 4WD | 1998 | 180   | 245 | 07.19-      | * |
| 330i (B48 B20 B)                             |  | Gasolina      | RWD | 1998 | 190   | 258 | 07.19-      | * |
| 330 i xDrive (B48 B20 B)                     |  | Gasolina      | 4WD | 1998 | 190   | 258 | 07.19-      | * |
| M 340 i xDrive (B58 B30 B)                   |  | Gasolina      | 4WD | 2998 | 275   | 374 | 11.19-      | * |

# LISTA DE APLICACIONES - BUYERS GUIDE

|   |  |                  |     |      |     |     |        |   |
|---|--|------------------|-----|------|-----|-----|--------|---|
| M 340 i xDrive (B58 B30 B)              |  | Gasolina         | 4WD | 2998 | 285 | 387 | 11.19- | * |
| 320 e Plug-in-Hybrid (B48 B20 A)        |  | Gasol./el<br>éc. | RWD | 1998 | 120 | 163 | 07.20- | * |
| 320 e Plug-in-Hybrid (GC1)              |  | Gasol./el<br>éc. | RWD | 1998 | 120 | 163 | 07.20- | * |
| 320 e Plug-in-Hybrid xDrive             |  | Gasol./el<br>éc. | 4WD | 1998 | 120 | 163 | 03.21- | * |
| 330 e Plug-in-Hybrid (B48 B20 A)        |  | Gasol./el<br>éc. | RWD | 1998 | 135 | 184 | 07.20- | * |
| 330 e Plug-in-Hybrid (GC1)              |  | Gasol./el<br>éc. | RWD | 1998 | 135 | 184 | 07.20- | * |
| 330 e Plug-in-Hybrid xDrive (B48 B20 A) |  | Gasol./el<br>éc. | 4WD | 1998 | 135 | 184 | 07.20- | * |
| 330 e Plug-in-Hybrid xDrive (GC1)       |  | Gasol./el<br>éc. | 4WD | 1998 | 135 | 184 | 07.20- | * |
| 320 e Plug-in-Hybrid (B48 B20 A)        |  | Gasol./el<br>éc. | RWD | 1998 | 150 | 204 | 07.20- | * |
| 320 e Plug-in-Hybrid (GC1)              |  | Gasol./el<br>éc. | RWD | 1998 | 150 | 204 | 07.20- | * |
| 320 e Plug-in-Hybrid xDrive             |  | Gasol./el<br>éc. | 4WD | 1998 | 150 | 204 | 03.21- | * |
| 330 e Plug-in-Hybrid (B48 B20 A)        |  | Gasol./el<br>éc. | RWD | 1998 | 215 | 292 | 07.20- | * |
| 330 e Plug-in-Hybrid (GC1)              |  | Gasol./el<br>éc. | RWD | 1998 | 215 | 292 | 07.20- | * |
| 330 e Plug-in-Hybrid xDrive (B48 B20 A) |  | Gasol./el<br>éc. | 4WD | 1998 | 215 | 292 | 07.20- | * |
| 330 e Plug-in-Hybrid xDrive (GC1)       |  | Gasol./el<br>éc. | 4WD | 1998 | 215 | 292 | 07.20- | * |
| M 340 i Mild-Hybrid xDrive (B58 B30 B)  |  | Gasol./el<br>éc. | 4WD | 2998 | 275 | 374 | 11.20- | * |
| M 340 i Mild-Hybrid xDrive (JA1)        |  | Gasol./el<br>éc. | 4WD | 2998 | 275 | 374 | 11.20- | * |
| 316 d Mild-Hybrid (B47 D20 B)           |  | Diesel/el<br>éc. | RWD | 1995 | 85  | 116 | 11.20- | * |
| 316 d Mild-Hybrid (JA1)                 |  | Diesel/el<br>éc. | RWD | 1995 | 85  | 116 | 11.20- | * |
| 316 d Mild-Hybrid (B47 D20 B)           |  | Diesel/el<br>éc. | RWD | 1995 | 90  | 122 | 07.20- | * |
| 316 d Mild-Hybrid (JA1)                 |  | Diesel/el<br>éc. | RWD | 1995 | 90  | 122 | 07.20- | * |
| 318 d Mild-Hybrid (B47 D20 B)           |  | Diesel/el<br>éc. | RWD | 1995 | 100 | 136 | 08.20- | * |
| 318 d Mild-Hybrid (JA1)                 |  | Diesel/el<br>éc. | RWD | 1995 | 100 | 136 | 08.20- | * |
| 318 d Mild-Hybrid (B47 D20 B)           |  | Diesel/el<br>éc. | RWD | 1995 | 110 | 150 | 08.20- | * |
| 318 d Mild-Hybrid (JA1)                 |  | Diesel/el<br>éc. | RWD | 1995 | 110 | 150 | 08.20- | * |
| 320 d Mild-Hybrid (B47 D20 B)           |  | Diesel/el<br>éc. | RWD | 1995 | 120 | 163 | 03.20- | * |
| 320 d Mild-Hybrid (JA1)                 |  | Diesel/el<br>éc. | RWD | 1995 | 120 | 163 | 03.20- | * |
| 320 d Mild-Hybrid xDrive (B47 D20 B)    |  | Diesel/el<br>éc. | 4WD | 1995 | 120 | 163 | 03.20- | * |
| 320 d Mild-Hybrid xDrive (JA1)          |  | Diesel/el<br>éc. | 4WD | 1995 | 120 | 163 | 03.20- | * |
| 320 d Mild-Hybrid (B47 D20 B)           |  | Diesel/el<br>éc. | RWD | 1995 | 140 | 190 | 03.20- | * |
| 320 d Mild-Hybrid (JA1)                 |  | Diesel/el<br>éc. | RWD | 1995 | 140 | 190 | 03.20- | * |
| 320 d Mild-Hybrid xDrive (B47 D20 B)    |  | Diesel/el<br>éc. | 4WD | 1995 | 140 | 190 | 03.20- | * |
| 320 d Mild-Hybrid xDrive (JA1)          |  | Diesel/el<br>éc. | 4WD | 1995 | 140 | 190 | 03.20- | * |
| 330 d Mild-Hybrid (B57 D30 B)           |  | Diesel/el<br>éc. | RWD | 2993 | 210 | 286 | 11.20- | * |
| 330 d Mild-Hybrid (JA1)                 |  | Diesel/el<br>éc. | RWD | 2993 | 210 | 286 | 11.20- | * |
| 330 d Mild-Hybrid xDrive (B57 D30 B)    |  | Diesel/el<br>éc. | 4WD | 2993 | 210 | 286 | 11.20- | * |

# LISTA DE APLICACIONES - BUYERS GUIDE

|   |  |               |     |      |  |     |             |   |
|---|--|---------------|-----|------|--|-----|-------------|---|
| 330 d Mild-Hybrid xDrive (JA1)              |  | Diesel/el éc. | 4WD | 2993 | 210  | 286 | 11.20-      | * |
| M340 d Mild-Hybrid xDrive (B57 D30 B)       |  | Diesel/el éc. | 4WD | 2993 | 250  | 340 | 04.20-      | * |
| M340 d Mild-Hybrid xDrive (JA1)             |  | Diesel/el éc. | 4WD | 2993 | 250  | 340 | 04.20-      | * |
| 316 d (B47 D20 B)                           |  | Diesel        | RWD | 1995 | 85   | 116 | 11.20-      | * |
| 316 d (B47 D20 B)                           |  | Diesel        | RWD | 1995 | 90   | 122 | 11.20-      | * |
| 318 d (B47 D20 B)                           |  | Diesel        | RWD | 1995 | 100  | 136 | 11.19-07.20 | * |
| 318 d (B47 D20 B)                           |  | Diesel        | RWD | 1995 | 110  | 150 | 11.19-07.20 | * |
| 320 d (B47 D20 B)                           |  | Diesel        | RWD | 1995 | 120  | 163 | 07.19-02.20 | * |
| 320 d xDrive (B47 D20 B)                    |  | Diesel        | 4WD | 1995 | 120  | 163 | 07.19-02.20 | * |
| 320 d (B47 D20 B)                           |  | Diesel        | RWD | 1995 | 140  | 190 | 07.19-02.20 | * |
| 320 d xDrive (B47 D20 B)                    |  | Diesel        | 4WD | 1995 | 140  | 190 | 07.19-02.20 | * |
| 330 d (B57 D30 A)                           |  | Diesel        | RWD | 2993 | 195  | 265 | 11.19-      | * |
| 330 d xDrive (B57 D30 A)                    |  | Diesel        | 4WD | 2993 | 195  | 265 | 07.19-      | * |
| <b>3 Serie VII Touring Van (G21) 07.19-</b> |  |               |     |      | <b>[CAMBIADO]:Furgón/Break<br/>(Compact executive car-D Segment)</b> |     |             |   |
| 320i (B46 B20 B)                            |  | Gasolina      | RWD | 1998 | 135  | 184 | 11.19-      | * |
| 320i (B48 B20 A)                            |  | Gasolina      | RWD | 1998 | 135  | 184 | 11.19-      | * |
| 330i (B48 B20 B)                            |  | Gasolina      | RWD | 1998 | 190  | 258 | 07.19-      | * |
| M 340 i xDrive (B58 B30 B)                  |  | Gasolina      | 4WD | 2998 | 275  | 374 | 11.19-      | * |
| 320 d Mild-Hybrid (B47 D20 B)               |  | Diesel/el éc. | RWD | 1995 | 140  | 190 | 03.20-      | * |
| 320 d Mild-Hybrid (JA1)                     |  | Diesel/el éc. | RWD | 1995 | 140  | 190 | 03.20-      | * |
| 320 d Mild-Hybrid xDrive (B47 D20 B)        |  | Diesel/el éc. | 4WD | 1995 | 140  | 190 | 03.20-      | * |
| 320 d Mild-Hybrid xDrive (JA1)              |  | Diesel/el éc. | 4WD | 1995 | 140  | 190 | 03.20-      | * |
| 318 d                                       |  | Diesel        | RWD | 1995 | 110  | 150 | 11.19-06.22 | * |
| 320 d (B47 D20 B)                           |  | Diesel        | RWD | 1995 | 140  | 190 | 07.19-02.20 | * |
| 320 d xDrive (B47 D20 B)                    |  | Diesel        | 4WD | 1995 | 140  | 190 | 07.19-02.20 | * |
| 330 d (B57 D30 A)                           |  | Diesel        | RWD | 2993 | 195  | 265 | 11.19-      | * |
| 330 d xDrive (B57 D30 A)                    |  | Diesel        | 4WD | 2993 | 195  | 265 | 11.19-      | * |
| <b>4 Serie II (G23, G83) 11.20-</b>         |  |               |     |      | <b>Cabrió (Compact executive car-D Segment)</b>                      |     |             |   |
| 420 i (B48 B20 A)                           |  | Gasolina      | RWD | 1998 | 135  | 184 | 11.20-      | * |
| 430 i                                       |  | Gasolina      | RWD | 1998 | 180  | 245 | 07.21-      | * |
| 430 i xDrive                                |  | Gasolina      | 4WD | 1998 | 180  | 245 | 07.21-      | * |
| 430 i (B46 B20 B)                           |  | Gasolina      | RWD | 1998 | 190  | 258 | 11.20-      | * |
| 430 i (B48 B20 B)                           |  | Gasolina      | RWD | 1998 | 190  | 258 | 11.20-      | * |
| 430 i xDrive (B46 B20 B)                    |  | Gasolina      | 4WD | 1998 | 190  | 258 | 07.21-      | * |
| M440 i Mild-Hybrid                          |  | Gasol./el éc. | RWD | 2998 | 275  | 374 | 07.21-      | * |
| M440 i Mild-Hybrid xDrive (B58 B30 B)       |  | Gasol./el éc. | 4WD | 2998 | 275  | 374 | 11.20-      | * |
| M440 i Mild-Hybrid xDrive (JA1)             |  | Gasol./el éc. | 4WD | 2998 | 275  | 374 | 11.20-      | * |
| M 440 i Mild Hybrid (B58 B30 B,JA1)         |  | Gasol./el éc. | RWD | 2998 | 285  | 387 | 11.20-      | * |
| M440 i Mild-Hybrid xDrive (B58 B30 B)       |  | Gasol./el éc. | 4WD | 2998 | 285  | 387 | 11.20-      | * |
| M440 i Mild-Hybrid xDrive (JA1)             |  | Gasol./el éc. | 4WD | 2998 | 285  | 387 | 11.20-      | * |
| 420 d Mild-Hybrid (B47 D20 B)               |  | Diesel/el éc. | RWD | 1995 | 120  | 163 | 11.20-      | * |
| 420 d Mild-Hybrid (JA1)                     |  | Diesel/el éc. | RWD | 1995 | 120  | 163 | 11.20-      | * |
| 420 d Mild-Hybrid (B47 D20 B)               |  | Diesel/el éc. | RWD | 1995 | 140  | 190 | 11.20-      | * |

# LISTA DE APLICACIONES - BUYERS GUIDE

|                                       |  |                  |     |      |  |     |        |   |
|---------------------------------------|--|------------------|-----|------|--|-----|--------|---|
| 420 d Mild-Hybrid (JA1)               |  | Diesel/el<br>éc. | RWD | 1995 | 140  | 190 | 11.20- | * |
| 430 d Mild-Hybrid (B57 D30 B)         |  | Diesel/el<br>éc. | RWD | 2993 | 210  | 286 | 07.21- | * |
| 430 d Mild-Hybrid (JA1)               |  | Diesel/el<br>éc. | RWD | 2993 | 210  | 286 | 07.21- | * |
| M440 d Mild-Hybrid xDrive (B57 D30 B) |  | Diesel/el<br>éc. | 4WD | 2993 | 250  | 340 | 11.21- | * |
| M440 d Mild-Hybrid xDrive (JA1)       |  | Diesel/el<br>éc. | 4WD | 2993 | 250  | 340 | 11.21- | * |
| <b>4 Serie II (G22, G82) 07.20-</b>   |  |                  |     |      | <b>Coupé (Compact executive car-D Segment)</b> |     |        |   |
| 420 i 1.6 (B48 B16 A)                 |  | Gasolina         | RWD | 1597 | 125  | 170 | 11.20- | * |
| 420 i (B46 B20 B)                     |  | Gasolina         | RWD | 1998 | 135  | 184 | 07.20- | * |
| 420 i (B48 B20 A)                     |  | Gasolina         | RWD | 1998 | 135  | 184 | 07.20- | * |
| 420 i                                 |  | Gasolina         | RWD | 1998 | 135  | 184 | 07.21- | * |
| 420 i xDrive                          |  | Gasolina         | 4WD | 1998 | 135  | 184 | 07.21- | * |
| 430 i                                 |  | Gasolina         | RWD | 1998 | 180  | 245 | 07.21- | * |
| 430 i                                 |  | Gasolina         | RWD | 1998 | 180  | 245 | 07.21- | * |
| 430 i xDrive                          |  | Gasolina         | 4WD | 1998 | 180  | 245 | 07.21- | * |
| 430 i xDrive                          |  | Gasolina         | 4WD | 1998 | 180  | 245 | 03.22- | * |
| 430 i (B46 B20 B)                     |  | Gasolina         | RWD | 1998 | 190  | 258 | 07.20- | * |
| 430 i (B48 B20 B)                     |  | Gasolina         | RWD | 1998 | 190  | 258 | 07.20- | * |
| 430 i (B48 B20 B)                     |  | Gasolina         | RWD | 1998 | 190  | 258 | 07.21- | * |
| 430 i xDrive (B46 B20 B)              |  | Gasolina         | 4WD | 1998 | 190  | 258 | 07.20- | * |
| 430 i xDrive                          |  | Gasolina         | 4WD | 1998 | 190  | 258 | 07.21- | * |
| M440 i Mild-Hybrid                    |  | Gasol./el<br>éc. | RWD | 2998 | 275  | 374 | 07.21- | * |
| M440 i Mild-Hybrid                    |  | Gasol./el<br>éc. | RWD | 2998 | 275  | 374 | 09.22- | * |
| M440 i Mild-Hybrid xDrive (B58 B30 B) |  | Gasol./el<br>éc. | 4WD | 2998 | 275  | 374 | 11.20- | * |
| M440 i Mild-Hybrid xDrive             |  | Gasol./el<br>éc. | 4WD | 2998 | 275  | 374 | 07.21- | * |
| M440 i Mild-Hybrid (B58 B30 B, JA1)   |  | Gasol./el<br>éc. | RWD | 2998 | 285  | 387 | 11.20- | * |
| M440 i Mild-Hybrid xDrive (B58 B30 B) |  | Gasol./el<br>éc. | 4WD | 2998 | 285  | 387 | 07.20- | * |
| M440 i Mild-Hybrid xDrive (JA1)       |  | Gasol./el<br>éc. | 4WD | 2998 | 285  | 387 | 07.20- | * |
| M440 i Mild-Hybrid xDrive (B58 B30 B) |  | Gasol./el<br>éc. | 4WD | 2998 | 285  | 387 | 07.21- | * |
| i4 M50 xDrive                         |  | Eléctrico        | 4WD |      | 400  | 544 | 11.21- | * |
| 420 d Mild-Hybrid (B47 D20 B)         |  | Diesel/el<br>éc. | RWD | 1995 | 120  | 163 | 07.20- | * |
| 420 d Mild-Hybrid (JA1)               |  | Diesel/el<br>éc. | RWD | 1995 | 120  | 163 | 07.20- | * |
| 420 d Mild-Hybrid xDrive (B47 D20 B)  |  | Diesel/el<br>éc. | 4WD | 1995 | 120  | 163 | 07.20- | * |
| 420 d Mild-Hybrid xDrive (JA1)        |  | Diesel/el<br>éc. | 4WD | 1995 | 120  | 163 | 07.20- | * |
| 420 d Mild-Hybrid (B47 D20 B)         |  | Diesel/el<br>éc. | RWD | 1995 | 140  | 190 | 07.20- | * |
| 420 d Mild-Hybrid (JA1)               |  | Diesel/el<br>éc. | RWD | 1995 | 140  | 190 | 07.20- | * |
| 420 d Mild-Hybrid                     |  | Diesel/el<br>éc. | RWD | 1995 | 140  | 190 | 07.21- | * |
| 420 d Mild-Hybrid xDrive (B47 D20 B)  |  | Diesel/el<br>éc. | 4WD | 1995 | 140  | 190 | 07.20- | * |
| 420 d Mild-Hybrid xDrive (JA1)        |  | Diesel/el<br>éc. | 4WD | 1995 | 140  | 190 | 07.20- | * |
| 420 d Mild-Hybrid xDrive              |  | Diesel/el<br>éc. | 4WD | 1995 | 140  | 190 | 07.21- | * |
| 430 d Mild-Hybrid xDrive (B57 D30 B)  |  | Diesel/el<br>éc. | 4WD | 2993 | 210  | 286 | 03.21- | * |

# LISTA DE APLICACIONES - BUYERS GUIDE

|   |  |               |     |  |     |     |             |   |
|---|--|---------------|-----|--|-----|-----|-------------|---|
| 430 d Mild-Hybrid xDrive (JA1)          |  | Diesel/el éc. | 4WD | 2993                                   | 210 | 286 | 03.21-      | * |
| 430 d Mild-Hybrid xDrive                |  | Diesel/el éc. | 4WD | 2993                                   | 210 | 286 | 05.22-      | * |
| M440 d Mild-Hybrid xDrive (B57 D30 B)   |  | Diesel/el éc. | 4WD | 2993                                   | 250 | 340 | 03.21-      | * |
| M440 d Mild-Hybrid xDrive (JA1)         |  | Diesel/el éc. | 4WD | 2993                                   | 250 | 340 | 03.21-      | * |
| <b>5 Serie VII (G30, F90) 09.16-</b>    |  |               |     | <b>Sedán (Executive car-E Segment)</b> |     |     |             |   |
| 520 i (B48 B16 A)                       |  | Gasolina      | RWD | 1597                                   | 125 | 170 | 07.17-06.23 | * |
| 520 i (B48 B20 A)                       |  | Gasolina      | RWD | 1998                                   | 120 | 163 | 07.17-06.20 | * |
| 520 i (B48 B20 B)                       |  | Gasolina      | RWD | 1998                                   | 120 | 163 | 07.17-06.20 | * |
| 520 i (B48 B20 A)                       |  | Gasolina      | RWD | 1998                                   | 135 | 184 | 07.17-      | * |
| 520 i (B48 B20 B)                       |  | Gasolina      | RWD | 1998                                   | 135 | 184 | 07.17-      | * |
| 520 i (B48 B20 A)                       |  | Gasolina      | RWD | 1998                                   | 155 | 211 | 07.17-06.20 | * |
| 520 i (B48 B20 B)                       |  | Gasolina      | RWD | 1998                                   | 155 | 211 | 07.17-06.20 | * |
| 530i                                    |  | Gasolina      | RWD | 1998                                   | 180 | 245 | 05.22-06.23 | * |
| 530 i xDrive                            |  | Gasolina      | 4WD | 1998                                   | 180 | 245 | 05.22-06.23 | * |
| 530 i xDrive (B48 B20 B)                |  | Gasolina      | 4WD | 1998                                   | 183 | 249 | 09.16-06.23 | * |
| 530i (B46 B20 B)                        |  | Gasolina      | RWD | 1998                                   | 185 | 252 | 09.16-06.20 | * |
| 530i (B48 B20 B)                        |  | Gasolina      | RWD | 1998                                   | 185 | 252 | 09.16-06.20 | * |
| 530 i xDrive (B46 B20 B)                |  | Gasolina      | 4WD | 1998                                   | 185 | 252 | 09.16-06.20 | * |
| 530 i xDrive (B48 B20 B)                |  | Gasolina      | 4WD | 1998                                   | 185 | 252 | 09.16-06.20 | * |
| 540 i (B58 B30 A)                       |  | Gasolina      | RWD | 2998                                   | 250 | 340 | 09.16-06.20 | * |
| 540 i (B58 B30 C)                       |  | Gasolina      | RWD | 2998                                   | 250 | 340 | 09.16-06.20 | * |
| 540 i xDrive (B58 B30 A)                |  | Gasolina      | 4WD | 2998                                   | 250 | 340 | 09.16-06.20 | * |
| 540 i (B58 B30 A)                       |  | Gasolina      | RWD | 2998                                   | 265 | 360 | 09.16-06.20 | * |
| 540 i xDrive (B58 B30 A)                |  | Gasolina      | 4WD | 2998                                   | 265 | 360 | 09.16-06.20 | * |
| M 550 i xDrive (N63 B44 C)              |  | Gasolina      | 4WD | 4395                                   | 340 | 462 | 03.17-06.19 | * |
| M 550 i xDrive (N63 B44 D)              |  | Gasolina      | 4WD | 4395                                   | 390 | 530 | 07.19-06.23 | * |
| 520 E PLUG-IN-HYBRID                    |  | Gasol./el éc. | RWD | 1998                                   | 120 | 163 | 03.21-      | * |
| 520 i Mild-Hybrid (B48 B20 A)           |  | Gasol./el éc. | RWD | 1998                                   | 120 | 163 | 07.20-06.23 | * |
| 520 i Mild-Hybrid (JA1)                 |  | Gasol./el éc. | RWD | 1998                                   | 120 | 163 | 07.20-06.23 | * |
| 530 e Plug-in-Hybrid (B48 B20 A)        |  | Gasol./el éc. | RWD | 1998                                   | 120 | 163 | 07.19-      | * |
| 530 e Plug-in-Hybrid (GC1)              |  | Gasol./el éc. | RWD | 1998                                   | 120 | 163 | 07.19-      | * |
| 530 e Plug-in-Hybrid xDrive (B48 B20 A) |  | Gasol./el éc. | 4WD | 1998                                   | 120 | 163 | 07.19-      | * |
| 530 e Plug-in-Hybrid xDrive (GC1)       |  | Gasol./el éc. | 4WD | 1998                                   | 120 | 163 | 07.19-      | * |
| 520 i Mild-Hybrid (B48 B20 A)           |  | Gasol./el éc. | RWD | 1998                                   | 135 | 184 | 07.20-06.23 | * |
| 520 i Mild-Hybrid (JA1)                 |  | Gasol./el éc. | RWD | 1998                                   | 135 | 184 | 07.20-06.23 | * |
| 530 e Plug-in-Hybrid (B46 B20 B)        |  | Gasol./el éc. | RWD | 1998                                   | 135 | 184 | 03.17-      | * |
| 530 e Plug-in-Hybrid (B48 B20 A)        |  | Gasol./el éc. | RWD | 1998                                   | 135 | 184 | 03.17-      | * |
| 530 e Plug-in-Hybrid (GC1)              |  | Gasol./el éc. | RWD | 1998                                   | 135 | 184 | 03.17-      | * |
| 530 e Plug-in-Hybrid xDrive (B46 B20 B) |  | Gasol./el éc. | 4WD | 1998                                   | 135 | 184 | 03.17-      | * |
| 530 e Plug-in-Hybrid xDrive (B48 B20 A) |  | Gasol./el éc. | 4WD | 1998                                   | 135 | 184 | 03.17-      | * |
| 530 e Plug-in-Hybrid xDrive (GC1)       |  | Gasol./el éc. | 4WD | 1998                                   | 135 | 184 | 03.17-      | * |
| 520 E PLUG-IN-HYBRID                    |  | Gasol./el éc. | RWD | 1998                                   | 150 | 204 | 03.21-05.22 | * |

## LISTA DE APLICACIONES - BUYERS GUIDE

|   |  |                  |     |      |     |     |             |   |
|---|--|------------------|-----|------|-----|-----|-------------|---|
| 530 e Plug-in-Hybrid (B48 B20 A)        |  | Gasol./el<br>éc. | RWD | 1998 | 170 | 231 | 07.19-06.20 | * |
| 530 e Plug-in-Hybrid (GC1)              |  | Gasol./el<br>éc. | RWD | 1998 | 170 | 231 | 07.19-06.20 | * |
| 530 e Plug-in-Hybrid xDrive (B48 B20 A) |  | Gasol./el<br>éc. | 4WD | 1998 | 170 | 231 | 07.19-06.23 | * |
| 530 e Plug-in-Hybrid xDrive (GC1)       |  | Gasol./el<br>éc. | 4WD | 1998 | 170 | 231 | 07.19-06.23 | * |
| 530e Plug-in Hybrid (B46 B20 B)         |  | Gasol./el<br>éc. | RWD | 1998 | 185 | 252 | 03.17-06.20 | * |
| 530e Plug-in Hybrid (B48 B20 A)         |  | Gasol./el<br>éc. | RWD | 1998 | 185 | 252 | 03.17-06.20 | * |
| 530e Plug-in Hybrid (GC1)               |  | Gasol./el<br>éc. | RWD | 1998 | 185 | 252 | 03.17-06.20 | * |
| 530 e Plug-in-Hybrid xDrive (B46 B20 B) |  | Gasol./el<br>éc. | 4WD | 1998 | 185 | 252 | 03.17-06.23 | * |
| 530 e Plug-in-Hybrid xDrive (B48 B20 A) |  | Gasol./el<br>éc. | 4WD | 1998 | 185 | 252 | 03.17-06.23 | * |
| 530 e Plug-in-Hybrid xDrive (GC1)       |  | Gasol./el<br>éc. | 4WD | 1998 | 185 | 252 | 03.17-06.23 | * |
| 530 i Mild-Hybrid (B48 B20 B)           |  | Gasol./el<br>éc. | RWD | 1998 | 185 | 252 | 07.20-06.23 | * |
| 530 i Mild-Hybrid (JA1)                 |  | Gasol./el<br>éc. | RWD | 1998 | 185 | 252 | 07.20-06.23 | * |
| 530 i Mild-Hybrid xDrive (B48 B20 B)    |  | Gasol./el<br>éc. | 4WD | 1998 | 185 | 252 | 07.20-06.23 | * |
| 530 i Mild-Hybrid xDrive (JA1)          |  | Gasol./el<br>éc. | 4WD | 1998 | 185 | 252 | 07.20-06.23 | * |
| 530 e Plug-in-Hybrid (B48 B20 A)        |  | Gasol./el<br>éc. | RWD | 1998 | 200 | 272 | 07.20-06.23 | * |
| 530 e Plug-in-Hybrid (GC1)              |  | Gasol./el<br>éc. | RWD | 1998 | 200 | 272 | 07.20-06.23 | * |
| 530 e Plug-in-Hybrid xDrive (B48 B20 A) |  | Gasol./el<br>éc. | 4WD | 1998 | 200 | 272 | 07.20-06.23 | * |
| 530 e Plug-in-Hybrid xDrive (GC1)       |  | Gasol./el<br>éc. | 4WD | 1998 | 200 | 272 | 07.20-06.23 | * |
| 530 e Plug-in-Hybrid (B46 B20 B)        |  | Gasol./el<br>éc. | RWD | 1998 | 215 | 292 | 07.20-06.23 | * |
| 530 e Plug-in-Hybrid (B48 B20 A)        |  | Gasol./el<br>éc. | RWD | 1998 | 215 | 292 | 07.20-06.23 | * |
| 530 e Plug-in-Hybrid (GC1)              |  | Gasol./el<br>éc. | RWD | 1998 | 215 | 292 | 07.20-06.23 | * |
| 530 e Plug-in-Hybrid xDrive (B46 B20 B) |  | Gasol./el<br>éc. | 4WD | 1998 | 215 | 292 | 07.20-06.23 | * |
| 530 e Plug-in-Hybrid xDrive (B48 B20 A) |  | Gasol./el<br>éc. | 4WD | 1998 | 215 | 292 | 07.20-06.23 | * |
| 530 e Plug-in-Hybrid xDrive (GC1)       |  | Gasol./el<br>éc. | 4WD | 1998 | 215 | 292 | 07.20-06.23 | * |
| 545 e Plug-in-Hybrid xDrive (B58 B30 C) |  | Gasol./el<br>éc. | 4WD | 2998 | 210 | 286 | 11.20-      | * |
| 545 e Plug-in-Hybrid xDrive (GC1)       |  | Gasol./el<br>éc. | 4WD | 2998 | 210 | 286 | 11.20-      | * |
| 540 i Mild-Hybrid (B58 B30 C)           |  | Gasol./el<br>éc. | RWD | 2998 | 245 | 333 | 07.20-05.23 | * |
| 540 i Mild-Hybrid (JA1)                 |  | Gasol./el<br>éc. | RWD | 2998 | 245 | 333 | 07.20-05.23 | * |
| 540 i Mild-Hybrid xDrive (B58 B30 C)    |  | Gasol./el<br>éc. | 4WD | 2998 | 245 | 333 | 07.20-06.23 | * |
| 540 i Mild-Hybrid xDrive (JA1)          |  | Gasol./el<br>éc. | 4WD | 2998 | 245 | 333 | 07.20-06.23 | * |
| 545 e Plug-in-Hybrid xDrive (B58 B30 C) |  | Gasol./el<br>éc. | 4WD | 2998 | 290 | 394 | 11.20-06.23 | * |
| 545 e Plug-in-Hybrid xDrive (GC1)       |  | Gasol./el<br>éc. | 4WD | 2998 | 290 | 394 | 11.20-06.23 | * |
| 518 d Mild-Hybrid (B47 D20 B)           |  | Diesel/el<br>éc. | RWD | 1995 | 100 | 136 | 07.20-06.23 | * |
| 518 d Mild-Hybrid (JA1)                 |  | Diesel/el<br>éc. | RWD | 1995 | 100 | 136 | 07.20-06.23 | * |
| 518 d Mild-Hybrid (B47 D20 B)           |  | Diesel/el<br>éc. | RWD | 1995 | 110 | 150 | 07.20-06.23 | * |

# LISTA DE APLICACIONES - BUYERS GUIDE

|   |  |               |     |      |     |     |   |   |  |
|---|--|---------------|-----|------|-----|-----|---|---|--|
| 518 d Mild-Hybrid (JA1)                 |  | Diesel/el éc. | RWD | 1995 | 110 | 150 | 07.20-06.23                                       | * |  |
| 520 d Mild-Hybrid (B47 D20 B)           |  | Diesel/el éc. | RWD | 1995 | 120 | 163 | 11.19-06.23                                       | * |  |
| 520 d Mild-Hybrid (JA1)                 |  | Diesel/el éc. | RWD | 1995 | 120 | 163 | 11.19-06.23                                       | * |  |
| 520 d Mild-Hybrid (B47 D20 B)           |  | Diesel/el éc. | RWD | 1995 | 140 | 190 | 11.19-06.23                                       | * |  |
| 520 d Mild-Hybrid (JA1)                 |  | Diesel/el éc. | RWD | 1995 | 140 | 190 | 11.19-06.23                                       | * |  |
| 520 d Mild-Hybrid xDrive (B47 D20 B)    |  | Diesel/el éc. | 4WD | 1995 | 140 | 190 | 11.19-06.23                                       | * |  |
| 520 d Mild-Hybrid xDrive (JA1)          |  | Diesel/el éc. | 4WD | 1995 | 140 | 190 | 11.19-06.23                                       | * |  |
| 530 d Mild-Hybrid (B57 D30 B)           |  | Diesel/el éc. | RWD | 2993 | 183 | 249 | 07.20-06.23                                       | * |  |
| 530 d Mild-Hybrid (JA1)                 |  | Diesel/el éc. | RWD | 2993 | 183 | 249 | 07.20-06.23                                       | * |  |
| 530 d Mild-Hybrid xDrive (B57 D30 B)    |  | Diesel/el éc. | 4WD | 2993 | 183 | 249 | 07.20-06.23                                       | * |  |
| 530 d Mild-Hybrid xDrive (JA1)          |  | Diesel/el éc. | 4WD | 2993 | 183 | 249 | 07.20-06.23                                       | * |  |
| 530 d Mild-Hybrid (B57 D30 B)           |  | Diesel/el éc. | RWD | 2993 | 210 | 286 | 07.20-06.23                                       | * |  |
| 530 d Mild-Hybrid (JA1)                 |  | Diesel/el éc. | RWD | 2993 | 210 | 286 | 07.20-06.23                                       | * |  |
| 530 d Mild-Hybrid xDrive (B57 D30 B)    |  | Diesel/el éc. | 4WD | 2993 | 210 | 286 | 07.20-06.23                                       | * |  |
| 530 d Mild-Hybrid xDrive (JA1)          |  | Diesel/el éc. | 4WD | 2993 | 210 | 286 | 07.20-06.23                                       | * |  |
| 540 d Mild-Hybrid xDrive (B57 D30 B)    |  | Diesel/el éc. | 4WD | 2993 | 250 | 340 | 07.20-06.23                                       | * |  |
| 540 d Mild-Hybrid xDrive (JA1)          |  | Diesel/el éc. | 4WD | 2993 | 250 | 340 | 07.20-06.23                                       | * |  |
| 518 d (B47 D20 B)                       |  | Diesel        | RWD | 1995 | 100 | 136 | 07.18-06.20                                       | * |  |
| 518 d (B47 D20 B)                       |  | Diesel        | RWD | 1995 | 110 | 150 | 07.18-06.20                                       | * |  |
| 520 d (B47 D20 A)                       |  | Diesel        | RWD | 1995 | 120 | 163 | 09.16-06.23                                       | * |  |
| 520 d xDrive (B47 D20 A)                |  | Diesel        | 4WD | 1995 | 120 | 163 | 09.16-06.23                                       | * |  |
| 520 d (B47 D20 A)                       |  | Diesel        | RWD | 1995 | 140 | 190 | 09.16-06.23                                       | * |  |
| 520 d (B47 D20 B)                       |  | Diesel        | RWD | 1995 | 140 | 190 | 09.16-06.23                                       | * |  |
| 520 d xDrive (B47 D20 A)                |  | Diesel        | 4WD | 1995 | 140 | 190 | 09.16-06.23                                       | * |  |
| 525 d (B47 D20 B)                       |  | Diesel        | RWD | 1995 | 155 | 211 | 07.17-06.19                                       | * |  |
| 525 d (B47 D20 B)                       |  | Diesel        | RWD | 1995 | 170 | 231 | 07.17-06.19                                       | * |  |
| 530 d xDrive (B57 D30 A)                |  | Diesel        | 4WD | 2993 | 183 | 249 | 09.16-06.20                                       | * |  |
| 530 d (B57 D30 A)                       |  | Diesel        | RWD | 2993 | 195 | 265 | 09.16-06.20                                       | * |  |
| 530 d xDrive (B57 D30 A)                |  | Diesel        | 4WD | 2993 | 195 | 265 | 09.16-06.20                                       | * |  |
| 540 d xDrive (B57 D30 A)                |  | Diesel        | 4WD | 2993 | 235 | 320 | 07.17-06.20                                       | * |  |
| 540 d xDrive (B57 D30 B)                |  | Diesel        | 4WD | 2993 | 235 | 320 | 07.17-06.20                                       | * |  |
| 540 d xDrive (G4NA)                     |  | Diesel        | 4WD | 2993 | 235 | 320 | 07.17-06.20                                       | * |  |
| M 550 d xDrive (B57 D30 C)              |  | Diesel        | 4WD | 2993 | 294 | 400 | 06.17-06.20                                       | * |  |
| <b>5 Serie VII Touring (G31) 03.17-</b> |  |               |     |      |     |     | <b>[CAMBIADO]:Break (Executive car-E Segment)</b> |   |  |
| 520 i (B48 B20 A)                       |  | Gasolina      | RWD | 1998 | 120 | 163 | 07.17-06.20                                       | * |  |
| 520 i (B48 B20 A)                       |  | Gasolina      | RWD | 1998 | 135 | 184 | 07.17-06.20                                       | * |  |
| 520 i (B48 B20 A)                       |  | Gasolina      | RWD | 1998 | 155 | 211 | 07.17-06.20                                       | * |  |
| 530i                                    |  | Gasolina      | RWD | 1998 | 180 | 245 | 05.22-  | * |  |
| 530 i xDrive                            |  | Gasolina      | 4WD | 1998 | 180 | 245 | 05.22-  | * |  |
| 530i (B48 B20 B)                        |  | Gasolina      | RWD | 1998 | 185 | 252 | 03.17-06.20                                       | * |  |
| 530 i xDrive (B48 B20 B)                |  | Gasolina      | 4WD | 1998 | 185 | 252 | 07.17-06.20                                       | * |  |
| 540 i xDrive (B58 B30 A)                |  | Gasolina      | 4WD | 2998 | 250 | 340 | 03.17-06.20                                       | * |  |
| 540 i xDrive (B58 B30 A)                |  | Gasolina      | 4WD | 2998 | 265 | 360 | 03.17-06.20                                       | * |  |

## LISTA DE APLICACIONES - BUYERS GUIDE

|   |  |                  |     |      |     |     |             |   |
|---|--|------------------|-----|------|-----|-----|-------------|---|
| 520 E PLUG-IN-HYBRID                    |  | Gasol./el<br>éc. | RWD | 1998 | 120 | 163 | 03.21-      | * |
| 520 i Mild-Hybrid (B48 B20 A)           |  | Gasol./el<br>éc. | RWD | 1998 | 120 | 163 | 07.20-      | * |
| 520 i Mild-Hybrid (JA1)                 |  | Gasol./el<br>éc. | RWD | 1998 | 120 | 163 | 07.20-      | * |
| 530 e Plug-in-Hybrid (B48 B20 A)        |  | Gasol./el<br>éc. | RWD | 1998 | 120 | 163 | 11.20-      | * |
| 530 e Plug-in-Hybrid (GC1)              |  | Gasol./el<br>éc. | RWD | 1998 | 120 | 163 | 11.20-      | * |
| 530 e Plug-in-Hybrid xDrive (B48 B20 A) |  | Gasol./el<br>éc. | 4WD | 1998 | 120 | 163 | 11.20-      | * |
| 530 e Plug-in-Hybrid xDrive (GC1)       |  | Gasol./el<br>éc. | 4WD | 1998 | 120 | 163 | 11.20-      | * |
| 520 i Mild-Hybrid (B48 B20 A)           |  | Gasol./el<br>éc. | RWD | 1998 | 135 | 184 | 07.20-      | * |
| 520 i Mild-Hybrid (JA1)                 |  | Gasol./el<br>éc. | RWD | 1998 | 135 | 184 | 07.20-      | * |
| 530 e Plug-in-Hybrid (B48 B20 A)        |  | Gasol./el<br>éc. | RWD | 1998 | 135 | 184 | 11.20-      | * |
| 530 e Plug-in-Hybrid (GC1)              |  | Gasol./el<br>éc. | RWD | 1998 | 135 | 184 | 11.20-      | * |
| 530 e Plug-in-Hybrid xDrive (B48 B20 A) |  | Gasol./el<br>éc. | 4WD | 1998 | 135 | 184 | 11.20-      | * |
| 530 e Plug-in-Hybrid xDrive (GC1)       |  | Gasol./el<br>éc. | 4WD | 1998 | 135 | 184 | 11.20-      | * |
| 520 E PLUG-IN-HYBRID                    |  | Gasol./el<br>éc. | RWD | 1998 | 150 | 204 | 03.21-05.22 | * |
| 530 i Mild-Hybrid (B48 B20 B)           |  | Gasol./el<br>éc. | RWD | 1998 | 180 | 245 | 07.22-      | * |
| 530 i Mild-Hybrid xDrive (B48 B20 B)    |  | Gasol./el<br>éc. | 4WD | 1998 | 180 | 245 | 07.22-      | * |
| 530 i Mild-Hybrid (B48 B20 B)           |  | Gasol./el<br>éc. | RWD | 1998 | 185 | 252 | 07.20-      | * |
| 530 i Mild-Hybrid (JA1)                 |  | Gasol./el<br>éc. | RWD | 1998 | 185 | 252 | 07.20-      | * |
| 530 i Mild-Hybrid xDrive (B48 B20 B)    |  | Gasol./el<br>éc. | 4WD | 1998 | 185 | 252 | 07.20-      | * |
| 530 i Mild-Hybrid xDrive (JA1)          |  | Gasol./el<br>éc. | 4WD | 1998 | 185 | 252 | 07.20-      | * |
| 530 e Plug-in-Hybrid (B48 B20 A)        |  | Gasol./el<br>éc. | RWD | 1998 | 200 | 272 | 11.20-      | * |
| 530 e Plug-in-Hybrid (GC1)              |  | Gasol./el<br>éc. | RWD | 1998 | 200 | 272 | 11.20-      | * |
| 530 e Plug-in-Hybrid xDrive (B48 B20 A) |  | Gasol./el<br>éc. | 4WD | 1998 | 200 | 272 | 11.20-      | * |
| 530 e Plug-in-Hybrid xDrive (GC1)       |  | Gasol./el<br>éc. | 4WD | 1998 | 200 | 272 | 11.20-      | * |
| 530 e Plug-in-Hybrid (B48 B20 A)        |  | Gasol./el<br>éc. | RWD | 1998 | 215 | 292 | 11.20-      | * |
| 530 e Plug-in-Hybrid (GC1)              |  | Gasol./el<br>éc. | RWD | 1998 | 215 | 292 | 11.20-      | * |
| 530 e Plug-in-Hybrid xDrive (B48 B20 A) |  | Gasol./el<br>éc. | 4WD | 1998 | 215 | 292 | 11.20-      | * |
| 530 e Plug-in-Hybrid xDrive (GC1)       |  | Gasol./el<br>éc. | 4WD | 1998 | 215 | 292 | 11.20-      | * |
| 540 i Mild-Hybrid xDrive (B58 B30 C)    |  | Gasol./el<br>éc. | 4WD | 2998 | 245 | 333 | 07.20-      | * |
| 540 i Mild-Hybrid xDrive (JA1)          |  | Gasol./el<br>éc. | 4WD | 2998 | 245 | 333 | 07.20-      | * |
| 518 d Mild-Hybrid (B47 D20 B)           |  | Diesel/el<br>éc. | RWD | 1995 | 100 | 136 | 07.20-      | * |
| 518 d Mild-Hybrid (JA1)                 |  | Diesel/el<br>éc. | RWD | 1995 | 100 | 136 | 07.20-      | * |
| 518 d Mild-Hybrid (B47 D20 B)           |  | Diesel/el<br>éc. | RWD | 1995 | 110 | 150 | 07.20-      | * |
| 518 d Mild-Hybrid (JA1)                 |  | Diesel/el<br>éc. | RWD | 1995 | 110 | 150 | 07.20-      | * |
| 520 d Mild-Hybrid (B47 D20 B)           |  | Diesel/el<br>éc. | RWD | 1995 | 120 | 163 | 11.19-      | * |

# LISTA DE APLICACIONES - BUYERS GUIDE

|   |  |               |     |      |     |     |  |   |  |
|---|--|---------------|-----|------|-----|-----|--|---|--|
| 520 d Mild-Hybrid (JA1)                     |  | Diesel/el éc. | RWD | 1995 | 120 | 163 | 11.19-   | * |  |
| 520 d Mild-Hybrid (B47 D20 B)               |  | Diesel/el éc. | RWD | 1995 | 140 | 190 | 11.19-   | * |  |
| 520 d Mild-Hybrid (JA1)                     |  | Diesel/el éc. | RWD | 1995 | 140 | 190 | 11.19-   | * |  |
| 520 d Mild-Hybrid xDrive (B47 D20 B)        |  | Diesel/el éc. | 4WD | 1995 | 140 | 190 | 11.19-   | * |  |
| 520 d Mild-Hybrid xDrive (JA1)              |  | Diesel/el éc. | 4WD | 1995 | 140 | 190 | 11.19-   | * |  |
| 530 d Mild-Hybrid (B57 D30 B)               |  | Diesel/el éc. | RWD | 2993 | 183 | 249 | 07.20-   | * |  |
| 530 d Mild-Hybrid (JA1)                     |  | Diesel/el éc. | RWD | 2993 | 183 | 249 | 07.20-   | * |  |
| 530 d Mild-Hybrid xDrive (B57 D30 B)        |  | Diesel/el éc. | 4WD | 2993 | 183 | 249 | 07.20-   | * |  |
| 530 d Mild-Hybrid xDrive (JA1)              |  | Diesel/el éc. | 4WD | 2993 | 183 | 249 | 07.20-   | * |  |
| 530 d Mild-Hybrid (B57 D30 B)               |  | Diesel/el éc. | RWD | 2993 | 210 | 286 | 07.20-   | * |  |
| 530 d Mild-Hybrid (JA1)                     |  | Diesel/el éc. | RWD | 2993 | 210 | 286 | 07.20-   | * |  |
| 530 d Mild-Hybrid xDrive (B57 D30 B)        |  | Diesel/el éc. | 4WD | 2993 | 210 | 286 | 07.20-   | * |  |
| 530 d Mild-Hybrid xDrive (JA1)              |  | Diesel/el éc. | 4WD | 2993 | 210 | 286 | 07.20-   | * |  |
| 540 d Mild-Hybrid xDrive (B57 D30 B)        |  | Diesel/el éc. | 4WD | 2993 | 250 | 340 | 07.20-   | * |  |
| 540 d Mild-Hybrid xDrive (JA1)              |  | Diesel/el éc. | 4WD | 2993 | 250 | 340 | 07.20-   | * |  |
| 518 d (B47 D20 B)                           |  | Diesel        | RWD | 1995 | 100 | 136 | 07.18-06.20  | * |  |
| 518 d (B47 D20 B)                           |  | Diesel        | RWD | 1995 | 110 | 150 | 07.18-06.20  | * |  |
| 520 d (B47 D20 A)                           |  | Diesel        | RWD | 1995 | 120 | 163 | 03.17-   | * |  |
| 520 d (B47 D20 B)                           |  | Diesel        | RWD | 1995 | 120 | 163 | 03.17-   | * |  |
| 520 d xDrive (B47 D20 A)                    |  | Diesel        | 4WD | 1995 | 120 | 163 | 07.17-   | * |  |
| 520 d xDrive (B47 D20 B)                    |  | Diesel        | 4WD | 1995 | 120 | 163 | 07.17-   | * |  |
| 520 d (B47 D20 A)                           |  | Diesel        | RWD | 1995 | 140 | 190 | 03.17-   | * |  |
| 520 d (B47 D20 B)                           |  | Diesel        | RWD | 1995 | 140 | 190 | 03.17-   | * |  |
| 520 d xDrive (B47 D20 A)                    |  | Diesel        | 4WD | 1995 | 140 | 190 | 07.17-   | * |  |
| 520 d xDrive (B47 D20 B)                    |  | Diesel        | 4WD | 1995 | 140 | 190 | 07.17-   | * |  |
| 525 d (B47 D20 B)                           |  | Diesel        | RWD | 1995 | 155 | 211 | 07.17-06.19  | * |  |
| 525 d (B47 D20 B)                           |  | Diesel        | RWD | 1995 | 170 | 231 | 07.17-06.19  | * |  |
| 530 d (B57 D30 A)                           |  | Diesel        | RWD | 2993 | 195 | 265 | 03.17-06.20  | * |  |
| 530 d xDrive (B57 D30 A)                    |  | Diesel        | 4WD | 2993 | 195 | 265 | 03.17-06.20  | * |  |
| 540 d xDrive (B57 D30 B)                    |  | Diesel        | 4WD | 2993 | 235 | 320 | 07.17-06.20  | * |  |
| M 550 d xDrive (B57 D30 C)                  |  | Diesel        | 4WD | 2993 | 294 | 400 | 07.17-   | * |  |
| <b>5 Serie VII Touring Van (G31) 03.17-</b> |  |               |     |      |     |     | <b>[CAMBIADO]:Furgón/Break (Executive car-E Segment)</b> |   |  |
| 520 i (B48 B20 A)                           |  | Gasolina      | RWD | 1998 | 135 | 184 | 07.17-   | * |  |
| 530i (B48 B20 B)                            |  | Gasolina      | RWD | 1998 | 185 | 252 | 03.17-   | * |  |
| 530 i xDrive (B48 B20 B)                    |  | Gasolina      | 4WD | 1998 | 185 | 252 | 07.17-   | * |  |
| 540 i xDrive (B58 B30 A)                    |  | Gasolina      | 4WD | 2998 | 250 | 340 | 03.17-   | * |  |
| 520 d (B47 D20 A)                           |  | Diesel        | RWD | 1995 | 140 | 190 | 03.17-11.19  | * |  |
| 520 d (B47 D20 B)                           |  | Diesel        | RWD | 1995 | 140 | 190 | 03.17-11.19  | * |  |
| 520 d xDrive (B47 D20 A)                    |  | Diesel        | 4WD | 1995 | 140 | 190 | 07.17-11.19  | * |  |
| 520 d xDrive (B47 D20 B)                    |  | Diesel        | 4WD | 1995 | 140 | 190 | 07.17-11.19  | * |  |
| 530 d (B57 D30 A)                           |  | Diesel        | RWD | 2993 | 195 | 265 | 03.17-   | * |  |
| 530 d xDrive (B57 D30 A)                    |  | Diesel        | 4WD | 2993 | 195 | 265 | 03.17-   | * |  |
| 540 d xDrive (B57 D30 B)                    |  | Diesel        | 4WD | 2993 | 235 | 320 | 07.17-   | * |  |

# LISTA DE APLICACIONES - BUYERS GUIDE

| <b>6 Serie IV GRAN TURISMO (G32) 06.17-</b> |               |     |      |     | <b>[CAMBIADO]:Fastback (Grand Tourer-S Segment)</b> |             |   |  |
|---|---------------|-----|------|-----|---|-------------|---|--|
| 630 i (B48 B20 B)                           | Gasolina      | RWD | 1998 | 180 | 245   | 08.22-      | * |  |
| 630 i (B48 B20 B)                           | Gasolina      | RWD | 1998 | 183 | 249   | 06.17-06.20 | * |  |
| 630 i (B48 B20 B)                           | Gasolina      | RWD | 1998 | 190 | 258   | 07.17-06.20 | * |  |
| 630 i xDrive (B58 B30 C)                    | Gasolina      | 4WD | 2998 | 190 | 258   | 07.19-      | * |  |
| 640 i (B58 B30 A)                           | Gasolina      | RWD | 2998 | 250 | 340   | 06.17-06.20 | * |  |
| 640 i (B58 B30 C)                           | Gasolina      | RWD | 2998 | 250 | 340   | 06.17-06.20 | * |  |
| 640 i xDrive (B58 B30 A)                    | Gasolina      | 4WD | 2998 | 250 | 340   | 06.17-06.20 | * |  |
| 640 i xDrive (B58 B30 C)                    | Gasolina      | 4WD | 2998 | 250 | 340   | 06.17-06.20 | * |  |
| 640 i (B58 B30 A)                           | Gasolina      | RWD | 2998 | 265 | 360   | 06.17-06.20 | * |  |
| 640 i (B58 B30 C)                           | Gasolina      | RWD | 2998 | 265 | 360   | 06.17-06.20 | * |  |
| 640 i xDrive (B58 B30 A)                    | Gasolina      | 4WD | 2998 | 265 | 360   | 06.17-06.20 | * |  |
| 640 i xDrive (B58 B30 C)                    | Gasolina      | 4WD | 2998 | 265 | 360   | 06.17-06.20 | * |  |
| 630 i Mild-Hybrid                           | Gasol./el éc. | RWD | 1998 | 180 | 245   | 07.20-      | * |  |
| 630 i Mild-Hybrid (B48 B20 B)               | Gasol./el éc. | RWD | 1998 | 190 | 258   | 07.20-      | * |  |
| 630 i Mild-Hybrid (JA1)                     | Gasol./el éc. | RWD | 1998 | 190 | 258   | 07.20-      | * |  |
| 640 i Mild-Hybrid (B58 B30 C)               | Gasol./el éc. | RWD | 2998 | 245 | 333   | 07.20-      | * |  |
| 640 i Mild-Hybrid (JA1)                     | Gasol./el éc. | RWD | 2998 | 245 | 333   | 07.20-      | * |  |
| 640 i Mild-Hybrid xDrive (B58 B30 C)        | Gasol./el éc. | 4WD | 2998 | 245 | 333   | 07.20-      | * |  |
| 640 i Mild-Hybrid xDrive (JA1)              | Gasol./el éc. | 4WD | 2998 | 245 | 333   | 07.20-      | * |  |
| 620 d Mild-Hybrid (B47 D20 B)               | Diesel/el éc. | RWD | 1995 | 120 | 163   | 07.20-      | * |  |
| 620 d Mild-Hybrid (JA1)                     | Diesel/el éc. | RWD | 1995 | 120 | 163   | 07.20-      | * |  |
| 620 d Mild-Hybrid (B47 D20 B)               | Diesel/el éc. | RWD | 1995 | 140 | 190   | 07.20-      | * |  |
| 620 d Mild-Hybrid (JA1)                     | Diesel/el éc. | RWD | 1995 | 140 | 190   | 07.20-      | * |  |
| 620 d Mild-Hybrid xDrive (B47 D20 B)        | Diesel/el éc. | 4WD | 1995 | 140 | 190   | 07.20-      | * |  |
| 620 d Mild-Hybrid xDrive (JA1)              | Diesel/el éc. | 4WD | 1995 | 140 | 190   | 07.20-      | * |  |
| 630 d Mild-Hybrid (B57 D30 B)               | Diesel/el éc. | RWD | 2993 | 155 | 211   | 07.20-      | * |  |
| 630 d Mild-Hybrid (JA1)                     | Diesel/el éc. | RWD | 2993 | 155 | 211   | 07.20-      | * |  |
| 630 d Mild-Hybrid (B57 D30 B)               | Diesel/el éc. | RWD | 2993 | 210 | 286   | 07.20-      | * |  |
| 630 d Mild-Hybrid (JA1)                     | Diesel/el éc. | RWD | 2993 | 210 | 286   | 07.20-      | * |  |
| 630 d Mild-Hybrid xDrive (B57 D30 B)        | Diesel/el éc. | 4WD | 2993 | 210 | 286   | 07.20-      | * |  |
| 630 d Mild-Hybrid xDrive (JA1)              | Diesel/el éc. | 4WD | 2993 | 210 | 286   | 07.20-      | * |  |
| 640 d Mild-Hybrid xDrive (B57 D30 B)        | Diesel/el éc. | 4WD | 2993 | 250 | 340   | 07.20-      | * |  |
| 640 d Mild-Hybrid xDrive (JA1)              | Diesel/el éc. | 4WD | 2993 | 250 | 340   | 07.20-      | * |  |
| 620 d (B47 D20 B)                           | Diesel        | RWD | 1995 | 120 | 163   | 07.18-06.20 | * |  |
| 620 d xDrive (B47 D20 B)                    | Diesel        | 4WD | 1995 | 120 | 163   | 07.18-06.20 | * |  |
| 620 d (B47 D20 B)                           | Diesel        | RWD | 1995 | 140 | 190   | 07.18-06.20 | * |  |
| 620 d xDrive (B47 D20 B)                    | Diesel        | 4WD | 1995 | 140 | 190   | 07.18-06.20 | * |  |
| 630 d (B57 D30 A)                           | Diesel        | RWD | 2993 | 155 | 211   | 06.17-06.20 | * |  |
| 630 d xDrive (B57 D30 A)                    | Diesel        | 4WD | 2993 | 155 | 211   | 06.17-06.20 | * |  |
| 630 d xDrive (B57 D30 A)                    | Diesel        | 4WD | 2993 | 183 | 249   | 06.17-06.20 | * |  |

# LISTA DE APLICACIONES - BUYERS GUIDE

|  |  |                  |     |      |                                     |     |             |   |
|--|--|------------------|-----|------|-------------------------------------|-----|-------------|---|
| 630 d (B57 D30 A)                        |  | Diesel           | RWD | 2993 | 195                                 | 265 | 06.17-06.20 | * |
| 630 d xDrive (B57 D30 A)                 |  | Diesel           | 4WD | 2993 | 195                                 | 265 | 06.17-06.20 | * |
| 640 d xDrive (B57 D30 B)                 |  | Diesel           | 4WD | 2993 | 235                                 | 320 | 11.17-06.20 | * |
| <b>7 Serie VI (G11, G12) 07.15-</b>      |  |                  |     |      | <b>Sedán (Luxury car-F Segment)</b> |     |             |   |
| 730 i (B48 B20 B)                        |  | Gasolina         | RWD | 1998 | 183                                 | 249 | 11.15-06.22 | * |
| 730 i, Li (B48 B20 B)                    |  | Gasolina         | RWD | 1998 | 190                                 | 258 | 11.15-02.19 | * |
| 730 i, Li (B48 B20 B)                    |  | Gasolina         | RWD | 1998 | 195                                 | 265 | 03.19-06.22 | * |
| 740 i, Li (B58 B30 A)                    |  | Gasolina         | RWD | 2998 | 240                                 | 326 | 07.15-02.19 | * |
| 740 Li xDrive (B58 B30 A)                |  | Gasolina         | 4WD | 2998 | 240                                 | 326 | 03.16-02.19 | * |
| 740 i, Li                                |  | Gasolina         | RWD | 2998 | 245                                 | 333 | 03.19-06.22 | * |
| 740 Li xDrive                            |  | Gasolina         | 4WD | 2998 | 245                                 | 333 | 03.19-06.22 | * |
| 740 i, Li (B58 B30 C)                    |  | Gasolina         | RWD | 2998 | 250                                 | 340 | 03.19-06.22 | * |
| 740 Li xDrive (B58 B30 C)                |  | Gasolina         | 4WD | 2998 | 250                                 | 340 | 03.19-06.22 | * |
| 750 Li xDrive (N63 B40 B)                |  | Gasolina         | 4WD | 3982 | 330                                 | 449 | 03.16-02.19 | * |
| 750 i, Li (N63 B44 C)                    |  | Gasolina         | RWD | 4395 | 330                                 | 449 | 11.15-02.19 | * |
| 750 i, Li xDrive (N63 B44 C)             |  | Gasolina         | 4WD | 4395 | 330                                 | 449 | 09.15-02.19 | * |
| 750 i, Li xDrive (N63 B44 D)             |  | Gasolina         | 4WD | 4395 | 390                                 | 530 | 03.19-06.22 | * |
| M 760 Li xDrive (N74 B66 C)              |  | Gasolina         | 4WD | 6592 | 430                                 | 585 | 03.19-06.22 | * |
| M 760 i, Li xDrive (N74 B66 B)           |  | Gasolina         | 4WD | 6592 | 448                                 | 610 | 12.16-02.19 | * |
| 740 e, Le (B48 B20 B)                    |  | Gasol./el<br>éc. | RWD | 1998 | 190                                 | 258 | 07.16-02.19 | * |
| 740 Le xDrive (B48 B20 B)                |  | Gasol./el<br>éc. | 4WD | 1998 | 190                                 | 258 | 07.16-02.19 | * |
| 740 e, Le (B48 B20 B)                    |  | Gasol./el<br>éc. | RWD | 1998 | 240                                 | 326 | 07.16-02.19 | * |
| 740 Le xDrive (B48 B20 B)                |  | Gasol./el<br>éc. | 4WD | 1998 | 240                                 | 326 | 07.16-02.19 | * |
| 745 e, Le Plug-in-Hybrid (B58 B30 C)     |  | Gasol./el<br>éc. | RWD | 2998 | 210                                 | 286 | 03.19-      | * |
| 745 Le Plug-in-Hybrid xDrive (B58 B30 C) |  | Gasol./el<br>éc. | 4WD | 2998 | 210                                 | 286 | 03.19-      | * |
| 745 e, Le Plug-in-Hybrid (B58 B30 C)     |  | Gasol./el<br>éc. | RWD | 2998 | 290                                 | 394 | 03.19-06.22 | * |
| 745 Le Plug-in-Hybrid xDrive (B58 B30 C) |  | Gasol./el<br>éc. | 4WD | 2998 | 290                                 | 394 | 03.19-06.22 | * |
| 730 d Mild-Hybrid xDrive (B57 D30 B)     |  | Diesel/el<br>éc. | 4WD | 2993 | 155                                 | 211 | 07.20-06.22 | * |
| 730 d Mild-Hybrid xDrive (JA1)           |  | Diesel/el<br>éc. | 4WD | 2993 | 155                                 | 211 | 07.20-06.22 | * |
| 730 d, Ld Mild-Hybrid xDrive (B57 D30 B) |  | Diesel/el<br>éc. | 4WD | 2993 | 183                                 | 249 | 07.20-06.22 | * |
| 730 d, Ld Mild-Hybrid xDrive (JA1)       |  | Diesel/el<br>éc. | 4WD | 2993 | 183                                 | 249 | 07.20-06.22 | * |
| 730 d, Ld Mild-Hybrid (B57 D30 B)        |  | Diesel/el<br>éc. | RWD | 2993 | 210                                 | 286 | 07.20-05.22 | * |
| 730 d, Ld Mild-Hybrid (JA1)              |  | Diesel/el<br>éc. | RWD | 2993 | 210                                 | 286 | 07.20-05.22 | * |
| 730 d, Ld Mild-Hybrid xDrive (B57 D30 B) |  | Diesel/el<br>éc. | 4WD | 2993 | 210                                 | 286 | 07.20-06.22 | * |
| 730 d, Ld Mild-Hybrid xDrive (JA1)       |  | Diesel/el<br>éc. | 4WD | 2993 | 210                                 | 286 | 07.20-06.22 | * |
| 740 d, Ld Mild-Hybrid xDrive (B57 D30 B) |  | Diesel/el<br>éc. | 4WD | 2993 | 250                                 | 340 | 07.20-06.22 | * |
| 740 d, Ld Mild-Hybrid xDrive (JA1)       |  | Diesel/el<br>éc. | 4WD | 2993 | 250                                 | 340 | 07.20-06.22 | * |
| 725 d, Ld (B47 D20 B)                    |  | Diesel           | RWD | 1995 | 155                                 | 211 | 07.16-02.19 | * |
| 725 d, Ld (B47 D20 B)                    |  | Diesel           | RWD | 1995 | 170                                 | 231 | 07.16-02.19 | * |
| 730 d (B57 D30 A)                        |  | Diesel           | RWD | 2993 | 155                                 | 211 | 07.15-06.20 | * |
| 730 d xDrive (B57 D30 A)                 |  | Diesel           | 4WD | 2993 | 155                                 | 211 | 09.15-06.20 | * |
| 730 d, Ld xDrive (B57 D30 A)             |  | Diesel           | 4WD | 2993 | 183                                 | 249 | 09.15-06.20 | * |
| 730 d, Ld (B57 D30 A)                    |  | Diesel           | RWD | 2993 | 195                                 | 265 | 09.15-06.20 | * |

# LISTA DE APLICACIONES - BUYERS GUIDE

|                                      |  |               |     |      |   |     |             |   |  |
|--------------------------------------|--|---------------|-----|------|---|-----|-------------|---|--|
| 730 d, Ld xDrive (B57 D30 A)         |  | Diesel        | 4WD | 2993 | 195   | 265 | 09.15-06.20 | * |  |
| 740 d, Ld xDrive (B57 D30 B)         |  | Diesel        | 4WD | 2993 | 235   | 320 | 11.15-06.20 | * |  |
| 750 d, Ld xDrive (B57 D30 C)         |  | Diesel        | 4WD | 2993 | 294   | 400 | 07.16-10.20 | * |  |
| <b>8 Serie II (G14, F91) 11.18-</b>  |  |               |     |      | <b>Cabrio (Grand Tourer-S Segment)</b>                |     |             |   |  |
| 840 i                                |  | Gasolina      | RWD | 2998 | 245   | 333 | 11.20-      | * |  |
| 840 i xDrive                         |  | Gasolina      | 4WD | 2998 | 245   | 333 | 11.20-      | * |  |
| 840 i (B58 B30 C)                    |  | Gasolina      | RWD | 2998 | 250   | 340 | 07.19-      | * |  |
| 840 i xDrive (B58 B30 C)             |  | Gasolina      | 4WD | 2998 | 250   | 340 | 07.19-10.20 | * |  |
| M 850 i xDrive (N63 B44 D)           |  | Gasolina      | 4WD | 4395 | 390   | 530 | 11.18-      | * |  |
| 840 d Mild-Hybrid xDrive (B57 D30 B) |  | Diesel/el éc. | 4WD | 2993 | 250   | 340 | 11.20-      | * |  |
| 840 d Mild-Hybrid xDrive (JA1)       |  | Diesel/el éc. | 4WD | 2993 | 250   | 340 | 11.20-      | * |  |
| 840 d xDrive (B57 D30 B)             |  | Diesel        | 4WD | 2993 | 235   | 320 | 11.18-10.20 | * |  |
| <b>8 Serie II (G15, F92) 07.18-</b>  |  |               |     |      | <b>Coupé (Grand Tourer-S Segment)</b>                 |     |             |   |  |
| 840 i                                |  | Gasolina      | RWD | 2998 | 245   | 333 | 11.20-      | * |  |
| 840 i                                |  | Gasolina      | RWD | 2998 | 245   | 333 | 11.20-      | * |  |
| 840 i xDrive                         |  | Gasolina      | 4WD | 2998 | 245   | 333 | 11.20-      | * |  |
| 840 i xDrive                         |  | Gasolina      | 4WD | 2998 | 245   | 333 | 11.20-      | * |  |
| 840 i (B58 B30 C)                    |  | Gasolina      | RWD | 2998 | 250   | 340 | 07.19-      | * |  |
| 840 i (B58 B30 C)                    |  | Gasolina      | RWD | 2998 | 250   | 340 | 07.19-10.20 | * |  |
| 840 i xDrive (B58 B30 C)             |  | Gasolina      | 4WD | 2998 | 250   | 340 | 07.19-10.20 | * |  |
| 840 i xDrive (B58 B30 C)             |  | Gasolina      | 4WD | 2998 | 250   | 340 | 07.19-      | * |  |
| M 850 i xDrive (N63 B44 D)           |  | Gasolina      | 4WD | 4395 | 390   | 530 | 10.18-      | * |  |
| M 850 i xDrive (N63 B44 D)           |  | Gasolina      | 4WD | 4395 | 390   | 530 | 07.19-      | * |  |
| 840 d Mild-Hybrid xDrive (B57 D30 B) |  | Diesel/el éc. | 4WD | 2993 | 250   | 340 | 11.20-      | * |  |
| 840 d Mild-Hybrid xDrive (JA1)       |  | Diesel/el éc. | 4WD | 2993 | 250   | 340 | 11.20-      | * |  |
| 840 d Mild-Hybrid xDrive (B57 D30 B) |  | Diesel/el éc. | 4WD | 2993 | 250   | 340 | 11.20-      | * |  |
| 840 d Mild-Hybrid xDrive (JA1)       |  | Diesel/el éc. | 4WD | 2993 | 250   | 340 | 11.20-      | * |  |
| 840 d xDrive (B57 D30 B)             |  | Diesel        | 4WD | 2993 | 235   | 320 | 07.18-10.20 | * |  |
| 840 d xDrive (B57 D30 B)             |  | Diesel        | 4WD | 2993 | 235   | 320 | 07.19-10.20 | * |  |
| <b>X3 III (G01, F97, G08) 07.17-</b> |  |               |     |      | <b>SUV (Luxury Crossover SUV-J Segment)</b>           |     |             |   |  |
| M (S58 B30 A)                        |  | Gasolina      | 4WD | 2993 | 353   | 480 | 03.19-      | * |  |
| M Competition (S58 B30 A)            |  | Gasolina      | 4WD | 2993 | 375   | 510 | 03.19-      | * |  |
| xDrive 30 d Mild-Hybrid (B57 D30 B)  |  | Diesel/el éc. | 4WD | 2993 | 183   | 249 | 07.20-      | * |  |
| xDrive 30 d Mild-Hybrid (JA1)        |  | Diesel/el éc. | 4WD | 2993 | 183   | 249 | 07.20-      | * |  |
| xDrive 30 d Mild-Hybrid (B57 D30 B)  |  | Diesel/el éc. | 4WD | 2993 | 210   | 286 | 07.20-      | * |  |
| xDrive 30 d Mild-Hybrid (JA1)        |  | Diesel/el éc. | 4WD | 2993 | 210   | 286 | 07.20-      | * |  |
| <b>X4 II (G02, F98) 04.18-</b>       |  |               |     |      | <b>SUV (Luxury Crossover SUV-J Segment)</b>           |     |             |   |  |
| xDrive 30 i (B48 B20 B)              |  | Gasolina      | 4WD | 1998 | 180   | 245 | 10.21-      | * |  |
| M (S58 B30 A)                        |  | Gasolina      | 4WD | 2993 | 353   | 480 | 03.19-      | * |  |
| M Competition (S58 B30 A)            |  | Gasolina      | 4WD | 2993 | 375   | 510 | 03.19-      | * |  |
| <b>X5 IV (G05) 11.19-</b>            |  |               |     |      | <b>Furgoneta/SUV (Luxury Crossover SUV-J Segment)</b> |     |             |   |  |
| xDrive 40 i (B58 B30 C)              |  | Gasolina      | 4WD | 2998 | 250   | 340 | 11.19-03.23 | * |  |
| xDrive 30 d (B57 D30 A)              |  | Diesel        | 4WD | 2993 | 195   | 265 | 11.19-03.23 | * |  |

# LISTA DE APLICACIONES - BUYERS GUIDE

| <b>X5 IV (G05, F95) 08.18-</b>         |  |               |     |      | <b>SUV (Luxury Crossover SUV-J Segment)</b> |     |             |   |
|--|--|---------------|-----|------|---|-----|-------------|---|
| xDrive 30 i                            |  | Gasolina      | 4WD | 1998 | 195   | 265 | 09.19-12.21 | * |
| sDrive 40 i                            |  | Gasolina      | RWD | 2998 | 250   | 340 | 08.19-03.23 | * |
| xDrive 40 i (B58 B30 C)                |  | Gasolina      | 4WD | 2998 | 250   | 340 | 08.18-03.23 | * |
| xDrive 50 i (N63 B44 D)                |  | Gasolina      | 4WD | 4395 | 340   | 462 | 08.18-07.19 | * |
| xDrive M50 i (N63 B44 D)               |  | Gasolina      | 4WD | 4395 | 390   | 530 | 08.19-03.23 | * |
| xDrive 45 e Plug-in-Hybrid (B58 B30 C) |  | Gasol./el éc. | 4WD | 2998 | 155   | 211 | 06.19-      | * |
| xDrive 45 e Plug-in-Hybrid (B58 B30 C) |  | Gasol./el éc. | 4WD | 2998 | 210   | 286 | 06.19-      | * |
| xDrive 45 e Plug-in-Hybrid (B58 B30 C) |  | Gasol./el éc. | 4WD | 2998 | 235   | 320 | 06.19-03.23 | * |
| xDrive 40 i Mild-Hybrid                |  | Gasol./el éc. | 4WD | 2998 | 245   | 333 | 12.20-03.23 | * |
| xDrive 40 i Mild-Hybrid                |  | Gasol./el éc. | 4WD | 2998 | 280   | 381 | 04.23-      | * |
| xDrive 45 e Plug-in Hybrid (B58 B30 C) |  | Gasol./el éc. | 4WD | 2998 | 290   | 394 | 06.19-03.23 | * |
| xDrive 50 e Plug-in-Hybrid             |  | Gasol./el éc. | 4WD | 2998 | 360   | 489 | 04.23-      | * |
| xDrive M60 i Mild-Hybrid               |  | Gasol./el éc. | 4WD | 4395 | 390   | 530 | 04.23-      | * |
| xDrive 30 d Mild-Hybrid (B57 D30 B)    |  | Diesel/el éc. | 4WD | 2993 | 183   | 249 | 08.20-      | * |
| xDrive 30 d Mild-Hybrid (JA1)          |  | Diesel/el éc. | 4WD | 2993 | 183   | 249 | 08.20-      | * |
| xDrive 30 d Mild-Hybrid (B57 D30 B)    |  | Diesel/el éc. | 4WD | 2993 | 210   | 286 | 08.20-      | * |
| xDrive 30 d Mild-Hybrid (JA1)          |  | Diesel/el éc. | 4WD | 2993 | 210   | 286 | 08.20-      | * |
| xDrive 30 d Mild-Hybrid                |  | Diesel/el éc. | 4WD | 2993 | 219   | 298 | 04.23-      | * |
| xDrive 40 d Mild-Hybrid (B57 D30 B)    |  | Diesel/el éc. | 4WD | 2993 | 250   | 340 | 05.20-      | * |
| xDrive 40 d Mild-Hybrid (JA1)          |  | Diesel/el éc. | 4WD | 2993 | 250   | 340 | 05.20-      | * |
| xDrive 40 d Mild-Hybrid                |  | Diesel/el éc. | 4WD | 2993 | 259   | 352 | 06.23-      | * |
| xDrive 25 d (B47 D20 B)                |  | Diesel        | 4WD | 1995 | 155   | 211 | 08.19-03.23 | * |
| xDrive 25 d (B47 D20 B)                |  | Diesel        | 4WD | 1995 | 170   | 231 | 08.19-03.23 | * |
| xDrive 30 d (B57 D30 A)                |  | Diesel        | 4WD | 2993 | 183   | 249 | 08.18-07.20 | * |
| xDrive 30 d (B57 D30 A)                |  | Diesel        | 4WD | 2993 | 195   | 265 | 08.18-07.20 | * |
| xDrive M 50 d (B57 D30 C)              |  | Diesel        | 4WD | 2993 | 294   | 400 | 08.18-03.23 | * |
| <b>X6 III (G06, F96) 08.19-</b>        |  |               |     |      | <b>SUV (Luxury Crossover SUV-J Segment)</b> |     |             |   |
| xDrive 30 i (B48 B20 B)                |  | Gasolina      | 4WD | 1998 | 195   | 265 | 11.19-      | * |
| sDrive 40 i                            |  | Gasolina      | RWD | 2998 | 250   | 340 | 08.19-      | * |
| xDrive 40 i (B58 B30 C)                |  | Gasolina      | 4WD | 2998 | 250   | 340 | 08.19-03.23 | * |
| xDrive M50 i (N63 B44 D)               |  | Gasolina      | 4WD | 4395 | 390   | 530 | 08.19-03.23 | * |
| xDrive 30 i Mild-Hybrid (B48 B20 S)    |  | Gasol./el éc. | 4WD | 1998 | 190   | 258 | 05.23-      | * |
| xDrive 40 i Mild-Hybrid                |  | Gasol./el éc. | 4WD | 2998 | 245   | 333 | 12.20-03.23 | * |
| xDrive 40 i Mild Hybrid (B58 B30 C)    |  | Gasol./el éc. | 4WD | 2998 | 250   | 340 | 04.22-      | * |
| xDrive 40 i Mild Hybrid                |  | Gasol./el éc. | 4WD | 2998 | 280   | 381 | 04.23-      | * |
| xDrive M60 i Mild-Hybrid               |  | Gasol./el éc. | 4WD | 4395 | 390   | 530 | 04.23-      | * |
| xDrive 30 d Mild-Hybrid (B57 D30 B)    |  | Diesel/el éc. | 4WD | 2993 | 155   | 211 | 08.20-      | * |
| xDrive 30 d Mild-Hybrid (JA1)          |  | Diesel/el éc. | 4WD | 2993 | 155   | 211 | 08.20-      | * |

# LISTA DE APLICACIONES - BUYERS GUIDE

|                                       |  |               |     |      |     |     |  |   |  |
|---------------------------------------|--|---------------|-----|------|-----|-----|--|---|--|
| xDrive 30 d Mild-Hybrid               |  | Diesel/el éc. | 4WD | 2993 | 164 | 223 | 04.23-   | * |  |
| xDrive 30 d Mild-Hybrid (B57 D30 B)   |  | Diesel/el éc. | 4WD | 2993 | 183 | 249 | 08.20-   | * |  |
| xDrive 30 d Mild-Hybrid (JA1)         |  | Diesel/el éc. | 4WD | 2993 | 183 | 249 | 08.20-   | * |  |
| xDrive 30 d Mild-Hybrid (B57 D30 B)   |  | Diesel/el éc. | 4WD | 2993 | 210 | 286 | 08.20-03.23                                    | * |  |
| xDrive 30 d Mild-Hybrid (JA1)         |  | Diesel/el éc. | 4WD | 2993 | 210 | 286 | 08.20-03.23                                    | * |  |
| xDrive 30 d Mild-Hybrid               |  | Diesel/el éc. | 4WD | 2993 | 219 | 298 | 04.23-   | * |  |
| xDrive 40 d Mild-Hybrid (B57 D30 B)   |  | Diesel/el éc. | 4WD | 2993 | 250 | 340 | 05.20-03.23                                    | * |  |
| xDrive 40 d Mild-Hybrid (JA1)         |  | Diesel/el éc. | 4WD | 2993 | 250 | 340 | 05.20-03.23                                    | * |  |
| xDrive 40 d Mild-Hybrid               |  | Diesel/el éc. | 4WD | 2993 | 259 | 352 | 06.23-   | * |  |
| xDrive 30 d (B57 D30 A)               |  | Diesel        | 4WD | 2993 | 155 | 211 | 08.19-07.20                                    | * |  |
| xDrive 30 d (B57 D30 A)               |  | Diesel        | 4WD | 2993 | 183 | 249 | 08.19-07.20                                    | * |  |
| xDrive 30 d (B57 D30 A)               |  | Diesel        | 4WD | 2993 | 195 | 265 | 08.19-07.20                                    | * |  |
| xDrive M 50 d (B57 D30 C)             |  | Diesel        | 4WD | 2993 | 294 | 400 | 08.19-03.23                                    | * |  |
| <b>X7 (G07) 03.19-</b>                |  |               |     |      |     |     | <b>SUV (Luxury Crossover SUV-J Segment)</b>    |   |  |
| xDrive 40 i (B58 B30 C)               |  | Gasolina      | 4WD | 2998 | 250 | 340 | 03.19-   | * |  |
| xDrive 50 i (N63 B44 D)               |  | Gasolina      | 4WD | 4395 | 340 | 462 | 03.19-   | * |  |
| xDrive M50 i (N63 B44 D)              |  | Gasolina      | 4WD | 4395 | 390 | 530 | 07.19-   | * |  |
| xDrive 40 i Mild-Hybrid               |  | Gasol./el éc. | 4WD | 2998 | 245 | 333 | 12.20-   | * |  |
| xDrive 40 i Mild Hybrid               |  | Gasol./el éc. | 4WD | 2998 | 280 | 381 | 07.22-   | * |  |
| xDrive M 60 i Mild Hybrid             |  | Gasol./el éc. | 4WD | 4395 | 390 | 530 | 07.22-   | * |  |
| xDrive 40 d Mild-Hybrid (B57 D30 B)   |  | Diesel/el éc. | 4WD | 2993 | 155 | 211 | 08.20-   | * |  |
| xDrive 40 d Mild-Hybrid (JA1)         |  | Diesel/el éc. | 4WD | 2993 | 155 | 211 | 08.20-   | * |  |
| xDrive 40 d Mild-Hybrid (B57 D30 B)   |  | Diesel/el éc. | 4WD | 2993 | 250 | 340 | 08.20-   | * |  |
| xDrive 40 d Mild-Hybrid (JA1)         |  | Diesel/el éc. | 4WD | 2993 | 250 | 340 | 08.20-   | * |  |
| xDrive 40 d Mild-Hybrid               |  | Diesel/el éc. | 4WD | 2993 | 259 | 352 | 07.22-   | * |  |
| xDrive 30 d (B57 D30 A)               |  | Diesel        | 4WD | 2993 | 155 | 211 | 03.19-08.20                                    | * |  |
| xDrive 30 d (B57 D30 A)               |  | Diesel        | 4WD | 2993 | 183 | 249 | 03.19-   | * |  |
| xDrive 30 d (B57 D30 A)               |  | Diesel        | 4WD | 2993 | 195 | 265 | 03.19-   | * |  |
| xDrive M 50 d (B57 D30 C)             |  | Diesel        | 4WD | 2993 | 294 | 400 | 03.19-   | * |  |
| <b>BMW (BRILLIANCE)</b>               |  |               |     |      |     |     |  |   |  |
| <b>3 SERIES VII (G28, G20) 06.19-</b> |  |               |     |      |     |     | <b>Sedán (Compact executive car-D Segment)</b> |   |  |
| 320i                                  |  | Gasolina      | RWD | 1998 | 115 | 156 | 11.19-   | * |  |
| 330 Li                                |  | Gasolina      | RWD | 1998 | 115 | 156 | 11.19-   | * |  |
| 325i                                  |  | Gasolina      | RWD | 1998 | 135 | 184 | 06.19-   | * |  |
| 330i (B48B20G)                        |  | Gasolina      | RWD | 1998 | 180 | 245 | 08.22-   | * |  |
| 330i                                  |  | Gasolina      | RWD | 1998 | 190 | 258 | 11.19-   | * |  |
| 330 Li xDrive                         |  | Gasolina      | 4WD | 1998 | 190 | 258 | 11.19-   | * |  |
| <b>X5 (G18) 03.22-</b>                |  |               |     |      |     |     | <b>SUV ()</b>                                  |   |  |
| xDrive 40 Li Mild-Hybrid (B58B30C)    |  | Gasol./el éc. | 4WD | 2998 | 245 | 333 | 03.22-   | * |  |
| xDrive 40 Li Mild-Hybrid (B58 B30 P)  |  | Gasol./el éc. | 4WD | 2998 | 280 | 381 | 08.23-   | * |  |
| <b>ROLLS-ROYCE</b>                    |  |               |     |      |     |     |  |   |  |

## LISTA DE APLICACIONES - BUYERS GUIDE

| <b>CULLINAN (RR31) 08.18-</b>           |          |     |      |     | <b>SUV (Luxury Crossover SUV-J Segment)</b> |        |   |  |
|---|----------|-----|------|-----|---|--------|---|--|
| V12 (N74 B68 A)                         | Gasolina | 4WD | 6749 | 420 | 571   | 08.18- | * |  |
| V12 (N74 B68 A)                         | Gasolina | 4WD | 6749 | 441 | 600   | 08.19- | * |  |
| <b>GHOST II (RR21) 08.20-</b>           |          |     |      |     | <b>Sedán (Luxury car-F Segment)</b>         |        |   |  |
| V12 (N74 B68 A)                         | Gasolina | 4WD | 6749 | 420 | 571   | 08.20- | * |  |
| V12 (N74 B68 A)                         | Gasolina | 4WD | 6749 | 420 | 571   | 08.20- | * |  |
| V12                                     | Gasolina | 4WD | 6749 | 441 | 600   | 08.22- | * |  |
| <b>PHANTOM VIII (RR11, RR12) 09.17-</b> |          |     |      |     | <b>Sedán (Luxury car-F Segment)</b>         |        |   |  |
| V12, V12 EWB (N74 B68 A)                | Gasolina | RWD | 6749 | 420 | 571   | 09.17- | * |  |