

LISTA DE APLICACIONES - BUYERS GUIDE

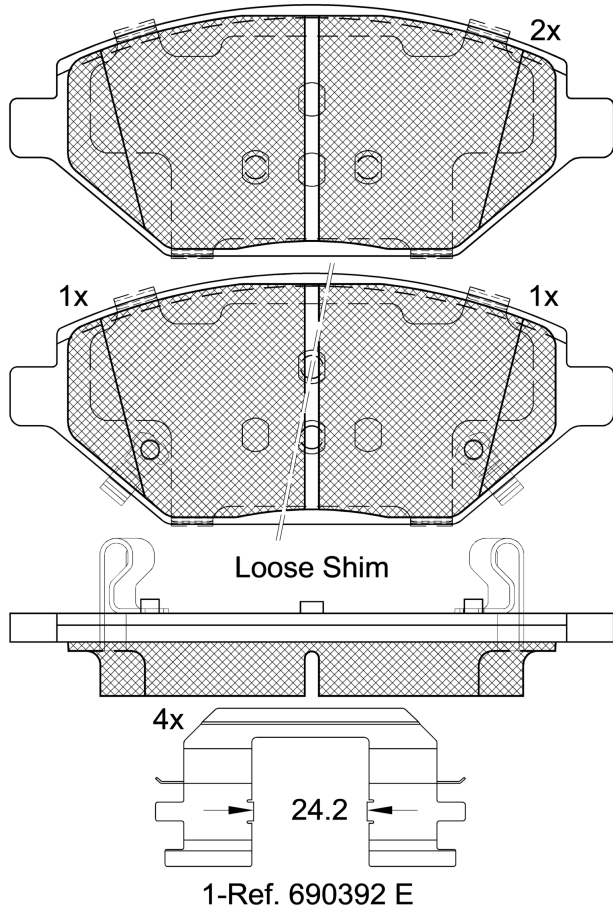
RB2261



Qty: 300

Weight: 1.480

O.E.M.	MAKE
16 05 325	OPEL
42 249 236	OPEL
42 349 236	VAUXHALL
42 439 339	VAUXHALL
4234 9238	CHEVROLET
4235 7463	CHEVROLET



RB2261

E 9 90R-02A0111/4652



ERA

128.8x53.6x18.2

WVA	FMSI
22357	D1864-9093
22358	D1864-9181
22359	
22522	
22523	

Sin Filas



Trac.	CC	Kw	CV
-------	----	----	----



Front / Rear

CHEVROLET

					[CAMBIADO]:Fastback (City car-A Segment)				
SPARK IV (M400) 11.15-									
1.0		Gasolina	FWD	999	55	75	11.15-	*	
1.4 (LV7)		Gasolina	FWD	1399	73	99	11.15-	*	
1.4 (LV7)		Gasolina	FWD	1399	74	101	11.15-	*	

OPEL

					[CAMBIADO]:Fastback (City car-A Segment)			
KARL (C16) 01.15-								
1.0		Gasolina	FWD	999	52	71	06.15-	*
1.0 (B 10 XE)		Gasolina	FWD	999	55	75	01.15-03.18	*
1.0 LPG (B 10 XL)		Gasol./Gas (LPG)	FWD	999	54	73	02.15-03.18	*

VAUXHALL

					[CAMBIADO]:Fastback (City car-A Segment)			
VIVA (C16) 01.15-								
1.0 (B 10 XE)		Gasolina	FWD	999	55	75	01.15-03.18	*
1.0 LPG (B 10 XL)		Gasol./Gas (LPG)	FWD	999	54	73	06.15-03.18	*
1.0 LPG (D 10 XE)		Gasol./Gas (LPG)	FWD	999	54	73	06.15-03.18	*