

LISTA DE APLICACIONES - BUYERS GUIDE

RB2254

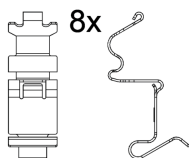
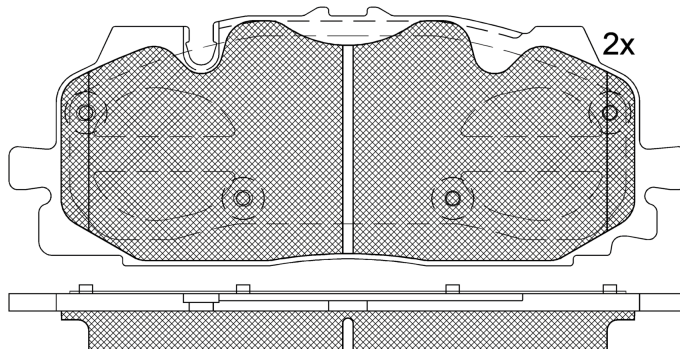
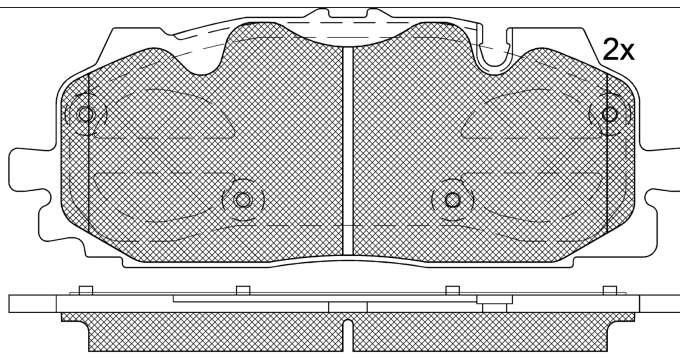


8 424073 14 1286

Qty: 300

Weight: 2.930

O.E.M.	MAKE
4K0 698 151	AUDI
4K0 698 151 AA	AUDI
4K0 698 151 C	AUDI
4K0 698 151 P	AUDI
4K0 698 151 S	AUDI
4K0 698 151 T	AUDI
4KE 698 151 F	AUDI
4KE 698 151 H	AUDI
4M0 698 151 AJ	AUDI
4M0 698 151 AM	AUDI
4M0 698 151 AP	AUDI
4M0 698 151 BD	AUDI
4M0 698 151 BH	AUDI
4M0 698 151 BJ	AUDI
4M0 698 151 BK	AUDI
4M0 698 151 H	AUDI
4M0 698 151 T	AUDI
83A 698 151	AUDI
83A 698 151 B	AUDI
8W0 698 151 AN	AUDI
8W0 698 151 BD	AUDI
8W0 698 151 BE	AUDI
8W0 698 151 BJ	AUDI
8W0 698 151 N	AUDI
8W0 698 151 R	AUDI



1-Ref. 690381 E

RB2254

E 9 90R-02A0111/4617



Akebono

194.1x74.1x16.8

WVA	FMSI
22611	D1894-9122
22612	D1894-9204
25861	
25862	

Sin Filas



Trac.	CC	Kw	CV
-------	----	----	----



Front / Rear

AUDI

				Sedán (Compact executive car-D Segment)				
A3 IV (8YS, 8YM) 03.20-								
30 TFSI (DLAA)	Gasolina	FWD	999	81	110	06.20-	*	
35 TFSI (DJKA)	Gasolina	FWD	1395	110	150	08.20-	*	
30 TFSI	Gasolina	FWD	1498	85	116	05.24-	*	
35 TFSI (DPCA)	Gasolina	FWD	1498	110	150	04.20-	*	
40 TFSI quattro	Gasolina	4WD	1984	140	190	07.21-	*	
S3 TFSI quattro (DNFB)	Gasolina	4WD	1984	228	310	06.20-	*	
S3 TFSI quattro	Gasolina	4WD	1984	245	333	02.24-	*	
RS3 TFSI quattro	Gasolina	4WD	2480	294	400	07.21-	*	
RS3 TFSI quattro	Gasolina	4WD	2480	299	407	01.22-	*	
30 TFSI Mild Hybrid	Gasol./el éc.	FWD	999	81	110	06.20-	*	
30 TFSI Mild Hybrid	Gasol./el éc.	FWD	1498	85	116	05.24-	*	
35 TFSI Mild Hybrid (DFYA)	Gasol./el éc.	FWD	1498	110	150	04.20-	*	
30 TDI (DSUD)	Diesel	FWD	1968	85	116	06.20-	*	
35 TDI (DSRB)	Diesel	FWD	1968	110	150	04.20-	*	
40 TDI quattro	Diesel	4WD	1968	147	200	12.20-	*	
A3 IV Sportback (8YA, 8YF) 11.19-				[CAMBIADO]:Fastback (Compact executive car-D Segment)				
30 TFSI (DLAA)	Gasolina	FWD	999	81	110	06.20-	*	
35 TFSI (DJKA)	Gasolina	FWD	1395	110	150	08.21-	*	
35 TFSI (DPCA)	Gasolina	FWD	1498	110	150	11.19-	*	
40 TFSI quattro	Gasolina	4WD	1984	140	190	07.21-	*	
S3 TFSI quattro (DNFB)	Gasolina	4WD	1984	228	310	06.20-	*	

LISTA DE APLICACIONES - BUYERS GUIDE

S3 TFSI quattro		Gasolina	4WD	1984	245	333	02.24-	*	
RS3 TFSI quattro		Gasolina	4WD	2480	294	400	07.21-	*	
RS3 TFSI quattro		Gasolina	4WD	2480	299	407	11.22-	*	
30 g-tron (DHFA)		Gasol./Gas (CNG)	FWD	1498	96	131	07.20-	*	
30 TFSI Mild Hybrid (DLAA)		Gasol./eléc.	FWD	999	81	110	06.20-	*	
40 TFSIe (DGEA)		Gasol./eléc.	FWD	1395	150	204	06.20-	*	
45 TFSIe		Gasol./eléc.	FWD	1395	180	245	07.21-	*	
35 TFSI Mild Hybrid (DFYA)		Gasol./eléc.	FWD	1498	110	150	04.20-	*	
30 TDI (DSUD)		Diesel	FWD	1968	85	116	11.19-	*	
35 TDI (DSRB)		Diesel	FWD	1968	110	150	11.19-	*	
40 TDI quattro		Diesel	4WD	1968	147	200	12.20-	*	
A3 Allstreet (8YJ) 02.24-							[CAMBIADO]:Fastback (Compact executive car-D Segment)		
35 TFSI		Gasolina	FWD	1498	110	150	09.24-	*	
35 TFSI Mild Hybrid		Gasol./eléc.	FWD	1498	110	150	02.24-	*	
40 TFSIe		Gasol./eléc.	FWD	1498	150	204	11.24-	*	
35 TDI		Diesel	FWD	1968	110	150	02.24-	*	
A4 V Allroad B9 (8WH, 8WJ) 01.16-							[CAMBIADO]:Break (Compact executive car-D Segment)		
2.0 TFSI quattro (CYRC)		Gasolina	4WD	1984	183	249	05.16-10.19	*	
2.0 TFSI quattro (CYMC)		Gasolina	4WD	1984	185	252	01.16-	*	
2.0 TFSI quattro (CYRB)		Gasolina	4WD	1984	185	252	01.16-	*	
45 TFSI Mild hybrid quattro (DKNA)		Gasol./eléc.	4WD	1984	180	245	07.18-	*	
45 TFSI Mild hybrid quattro (DDWA)		Gasol./eléc.	4WD	1984	183	249	02.20-	*	
2.0 TFSI Mild Hybrid quattro (DDWA)		Gasol./eléc.	4WD	1984	185	252	11.18-10.19	*	
45 TFSI Mild hybrid quattro (DMTA)		Gasol./eléc.	4WD	1984	195	265	08.20-	*	
40 TDI Mild Hybrid quattro (DTPA)		Diesel/eléc.	4WD	1968	150	204	09.20-	*	
50 TDI Mild Hybrid quattro		Diesel/eléc.	4WD	2967	210	286	08.20-	*	
2.0 TDI quattro (DEUB)		Diesel	4WD	1968	100	136	11.16-07.18	*	
2.0 TDI quattro (DEUA)		Diesel	4WD	1968	110	150	11.16-10.19	*	
2.0 TDI quattro (DETB)		Diesel	4WD	1968	120	163	05.16-10.19	*	
2.0 TDI quattro (DESA)		Diesel	4WD	1968	140	190	01.16-12.19	*	
2.0 TDI quattro (DETA)		Diesel	4WD	1968	140	190	01.16-12.19	*	
2.0 TDI quattro (DFVA)		Diesel	4WD	1968	140	190	01.16-12.19	*	
40 TDI quattro (DETA)		Diesel	4WD	1968	140	190	01.20-	*	
3.0 TDI quattro (CSWB)		Diesel	4WD	2967	160	218	01.16-08.18	*	
45 TDI quattro (DCPE)		Diesel	4WD	2967	170	231	07.18-	*	
3.0 TDI quattro (CRTC)		Diesel	4WD	2967	200	272	01.16-08.18	*	
3.0 TDI quattro (DCPC)		Diesel	4WD	2967	210	286	07.18-10.19	*	
50 TDI quattro (DCPC)		Diesel	4WD	2967	210	286	11.19-	*	
A4 V B9 (8W2, 8WC) 05.15-							Sedán (Compact executive car-D Segment)		
1.4 TFSI (CVNA)		Gasolina	FWD	1395	110	150	08.15-11.19	*	
2.0 TFSI (CVKB)		Gasolina	FWD	1984	140	190	05.15-11.19	*	
2.0 TFSI (DBPA)		Gasolina	FWD	1984	140	190	05.15-11.19	*	
2.0 TFSI (CYRC)		Gasolina	FWD	1984	183	249	11.15-11.19	*	

LISTA DE APLICACIONES - BUYERS GUIDE

2.0 TFSI quattro (CYRC)		Gasolina	4WD	1984	183	249	11.15-11.19	*
2.0 TFSI (CYMC)		Gasolina	FWD	1984	185	252	05.15-11.19	*
2.0 TFSI (CYRB)		Gasolina	FWD	1984	185	252	05.15-11.19	*
2.0 TFSI quattro (CYMC)		Gasolina	4WD	1984	185	252	05.15-11.19	*
2.0 TFSI quattro (CYRB)		Gasolina	4WD	1984	185	252	05.15-11.19	*
S4 TFSi quattro (CWGD)		Gasolina	4WD	2995	260	354	05.16-	*
35 TFSI Mild Hybrid (DLVB)		Gasol./el éc.	FWD	1984	110	150	12.18-	*
40 TFSI Mild Hybrid (DEMA)		Gasol./el éc.	FWD	1984	140	190	05.17-	*
40 TFSI Mild Hybrid (DKYA)		Gasol./el éc.	FWD	1984	140	190	05.17-	*
40 TFSI Mild Hybrid (DLVA)		Gasol./el éc.	FWD	1984	140	190	05.17-	*
40 TFSI Mild Hybrid		Gasol./el éc.	FWD	1984	150	204	06.20-	*
40 TFSI Mild Hybrid quattro (DMSA)		Gasol./el éc.	4WD	1984	150	204	06.20-	*
45 TFSI Mild Hybrid (DKNA)		Gasol./el éc.	FWD	1984	180	245	07.18-11.19	*
45 TFSI Mild hybrid quattro (DKNA)		Gasol./el éc.	4WD	1984	180	245	07.18-08.20	*
45 TFSI Mild hybrid quattro (DDWA)		Gasol./el éc.	4WD	1984	183	249	02.20-	*
2.0 TFSI Mild Hybrid (DDWA)		Gasol./el éc.	FWD	1984	185	252	05.17-11.19	*
2.0 TFSI Mild Hybrid quattro (DDWA)		Gasol./el éc.	4WD	1984	185	252	05.17-11.19	*
45 TFSI Mild hybrid quattro (DMTA)		Gasol./el éc.	4WD	1984	195	265	08.20-	*
30 TDI Mild Hybrid (DEZB)		Diesel/el éc.	FWD	1968	100	136	07.19-	*
35 TDI Mild Hybrid (DEZE)		Diesel/el éc.	FWD	1968	120	163	03.19-	*
40 TDI Mild Hybrid		Diesel/el éc.	FWD	1968	150	204	09.20-	*
40 TDI Mild Hybrid quattro (DTPA)		Diesel/el éc.	4WD	1968	150	204	05.20-	*
50 TDI Mild Hybrid quattro		Diesel/el éc.	4WD	2967	210	286	08.20-	*
S4 TDI Mild Hybrid quattro		Diesel/el éc.	4WD	2967	251	341	01.21-	*
S4 TDI Mild Hybrid quattro (DEWB)		Diesel/el éc.	4WD	2967	255	347	05.19-	*
2.0 TDI (DEUC)		Diesel	FWD	1968	90	122	05.16-11.19	*
30 TDI (DEUC)		Diesel	FWD	1968	90	122	05.16-11.19	*
2.0 TDI (DEUB)		Diesel	FWD	1968	100	136	05.15-11.19	*
2.0 TDI (CZHA)		Diesel	FWD	1968	110	150	05.15-11.19	*
2.0 TDI (DEUA)		Diesel	FWD	1968	110	150	05.15-11.19	*
2.0 TDI quattro (DEUA)		Diesel	4WD	1968	110	150	09.16-11.19	*
35 TDI (DEUA)		Diesel	FWD	1968	110	150	08.15-	*
2.0 TDI quattro (DETB)		Diesel	4WD	1968	120	163	09.16-11.19	*
2.0 TDI (DESA)		Diesel	FWD	1968	140	190	05.15-11.19	*
2.0 TDI (DETA)		Diesel	FWD	1968	140	190	05.15-11.19	*
2.0 TDI (DFVA)		Diesel	FWD	1968	140	190	05.15-11.19	*
2.0 TDI quattro (DESA)		Diesel	4WD	1968	140	190	09.15-11.19	*
2.0 TDI quattro (DETA)		Diesel	4WD	1968	140	190	09.15-11.19	*
2.0 TDI quattro (DFVA)		Diesel	4WD	1968	140	190	09.15-11.19	*
40 TDI (DESA)		Diesel	FWD	1968	140	190	05.15-	*
40 TDI (DETA)		Diesel	FWD	1968	140	190	05.15-	*
40 TDI quattro (DETA)		Diesel	4WD	1968	140	190	09.15-09.20	*
3.0 TDI (CSWB)		Diesel	FWD	2967	160	218	09.15-08.18	*

LISTA DE APLICACIONES - BUYERS GUIDE

3.0 TDI quattro (CSWB)		Diesel	4WD	2967	160	218	09.15-08.18	*	
45 TDI quattro (DCPE)		Diesel	4WD	2967	170	231	07.18-	*	
3.0 TDI quattro (CRTC)		Diesel	4WD	2967	200	272	05.15-08.18	*	
50 TDI quattro (DCPC)		Diesel	4WD	2967	210	286	07.18-08.20	*	
A4 V B9 Avant (8W5, 8WD) 08.15-							[CAMBIADO]:Break (Compact executive car-D Segment)		
1.4 TFSI (CVNA)		Gasolina	FWD	1395	110	150	02.16-10.19	*	
2.0 TFSI (CVKB)		Gasolina	FWD	1984	140	190	08.15-	*	
2.0 TFSI (DKYA)		Gasolina	FWD	1984	140	190	08.15-	*	
40 TFSI (DMSA)		Gasolina	FWD	1984	150	204	12.20-	*	
2.0 TFSI (CYRC)		Gasolina	FWD	1984	183	249	05.16-10.19	*	
2.0 TFSI quattro (CYRC)		Gasolina	4WD	1984	183	249	11.15-10.19	*	
2.0 TFSI (CYRB)		Gasolina	FWD	1984	185	252	05.16-10.19	*	
2.0 TFSI quattro (CYRB)		Gasolina	4WD	1984	185	252	08.15-10.19	*	
RS4 TFSi quattro (DECA)		Gasolina	4WD	2894	331	450	10.17-	*	
RS4 TFSi quattro		Gasolina	4WD	2894	346	471	07.24-12.24	*	
S4 TFSi quattro (CWGD)		Gasolina	4WD	2995	260	354	05.16-	*	
2.0 TFSI g-tron (CVLA)		Gasol./Gas (CNG)	FWD	1984	125	170	11.16-10.19	*	
40 TFSI g-tron (CVLA)		Gasol./Gas (CNG)	FWD	1984	125	170	11.16-	*	
35 TFSI Mild Hybrid (DLVB)		Gasol./eléc.	FWD	1984	110	150	12.18-	*	
35 TFSI Mild Hybrid (DMSB)		Gasol./eléc.	FWD	1984	110	150	12.18-	*	
40 TFSI Mild Hybrid (DEMA)		Gasol./eléc.	FWD	1984	140	190	05.17-	*	
40 TFSI Mild Hybrid (DKYA)		Gasol./eléc.	FWD	1984	140	190	05.17-	*	
40 TFSI Mild Hybrid (DLVA)		Gasol./eléc.	FWD	1984	140	190	05.17-	*	
40 TFSI Mild Hybrid (DMSA)		Gasol./eléc.	FWD	1984	150	204	06.20-	*	
40 TFSI Mild Hybrid quattro (DMSA)		Gasol./eléc.	4WD	1984	150	204	06.20-	*	
45 TFSI Mild Hybrid (DKNA)		Gasol./eléc.	FWD	1984	180	245	07.18-10.19	*	
45 TFSI Mild hybrid quattro (DKNA)		Gasol./eléc.	4WD	1984	180	245	07.18-08.20	*	
45 TFSI Mild hybrid quattro (DDWA)		Gasol./eléc.	4WD	1984	183	249	02.20-	*	
2.0 TFSI Mild Hybrid (DDWA)		Gasol./eléc.	FWD	1984	185	252	05.17-10.19	*	
2.0 TFSI Mild Hybrid quattro (DDWA)		Gasol./eléc.	4WD	1984	185	252	05.17-06.18	*	
45 TFSI Mild hybrid quattro (DMTA)		Gasol./eléc.	4WD	1984	195	265	08.20-	*	
30 TDI Mild Hybrid (DEZB)		Diesel/eléc.	FWD	1968	100	136	07.19-	*	
35 TDI Mild Hybrid (DEZE)		Diesel/eléc.	FWD	1968	120	163	07.19-	*	
40 TDI Mild Hybrid		Diesel/eléc.	FWD	1968	150	204	09.20-	*	
40 TDI Mild Hybrid quattro (DTPA)		Diesel/eléc.	4WD	1968	150	204	05.20-	*	
50 TDI Mild Hybrid quattro		Diesel/eléc.	4WD	2967	210	286	08.20-	*	
S4 TDI Mild Hybrid quattro		Diesel/eléc.	4WD	2967	251	341	01.21-	*	
S4 TDI Mild Hybrid quattro (DEWB)		Diesel/eléc.	4WD	2967	255	347	05.19-	*	
2.0 TDI (DEUC)		Diesel	FWD	1968	90	122	04.16-09.18	*	
30 TDI (DEUC)		Diesel	FWD	1968	90	122	10.18-10.20	*	

LISTA DE APLICACIONES - BUYERS GUIDE

2.0 TDI (DEUB)		Diesel	FWD	1968	100	136	08.15-10.19	*
2.0 TDI (CZHA)		Diesel	FWD	1968	110	150	08.15-09.18	*
2.0 TDI (DEUA)		Diesel	FWD	1968	110	150	08.15-09.18	*
2.0 TDI quattro (DEUA)		Diesel	4WD	1968	110	150	09.16-10.19	*
35 TDI (DEUA)		Diesel	FWD	1968	110	150	10.18-10.19	*
2.0 TDI quattro (DETB)		Diesel	4WD	1968	120	163	09.16-09.18	*
2.0 TDI (DESA)		Diesel	FWD	1968	140	190	08.15-09.18	*
2.0 TDI (DETA)		Diesel	FWD	1968	140	190	08.15-09.18	*
2.0 TDI (DFVA)		Diesel	FWD	1968	140	190	08.15-09.18	*
2.0 TDI quattro (DESA)		Diesel	4WD	1968	140	190	10.15-09.18	*
2.0 TDI quattro (DETA)		Diesel	4WD	1968	140	190	10.15-09.18	*
2.0 TDI quattro (DFVA)		Diesel	4WD	1968	140	190	10.15-09.18	*
40 TDI (DESA)		Diesel	FWD	1968	140	190	10.18-08.20	*
40 TDI (DETA)		Diesel	FWD	1968	140	190	10.18-08.20	*
40 TDI quattro (DETA)		Diesel	4WD	1968	140	190	10.18-09.20	*
3.0 TDI (CSWB)		Diesel	FWD	2967	160	218	10.15-08.18	*
3.0 TDI quattro (CSWB)		Diesel	4WD	2967	160	218	11.15-08.18	*
45 TDI quattro (DCPE)		Diesel	4WD	2967	170	231	07.18-	*
3.0 TDI quattro (CRTC)		Diesel	4WD	2967	200	272	08.15-08.18	*
50 TDI quattro (DCPC)		Diesel	4WD	2967	210	286	07.18-10.19	*
						Cabrio (Compact executive car-D Segment)		
A5 II (F57, F5E) 11.16-								
2.0 TFSI (CVKB)		Gasolina	FWD	1984	140	190	03.17-12.19	*
2.0 TFSI (DKYA)		Gasolina	FWD	1984	140	190	03.17-12.19	*
40 TFSI (DMSA)		Gasolina	FWD	1984	150	204	11.20-	*
2.0 TFSI (CYRB)		Gasolina	FWD	1984	185	252	03.17-12.19	*
2.0 TFSI quattro (CYMC)		Gasolina	4WD	1984	185	252	11.16-	*
2.0 TFSI quattro (CYRB)		Gasolina	4WD	1984	185	252	11.16-	*
S5 TFSI quattro (CWGD)		Gasolina	4WD	2995	260	354	03.17-	*
35 TFSI Mild Hybrid (DMSB)		Gasol./el éc.	FWD	1984	110	150	06.20-	*
40 TFSI Mild Hybrid (DEMA)		Gasol./el éc.	FWD	1984	140	190	05.17-	*
40 TFSI Mild Hybrid (DKYA)		Gasol./el éc.	FWD	1984	140	190	05.17-	*
40 TFSI Mild Hybrid (DLVA)		Gasol./el éc.	FWD	1984	140	190	05.17-	*
40 TFSI Mild Hybrid (DMSA)		Gasol./el éc.	FWD	1984	150	204	07.20-	*
40 TFSI Mild Hybrid quattro (DMSA)		Gasol./el éc.	4WD	1984	150	204	06.20-	*
45 TFSI Mild Hybrid (DKNA)		Gasol./el éc.	FWD	1984	180	245	07.18-12.19	*
45 TFSI Mild hybrid quattro (DKNA)		Gasol./el éc.	4WD	1984	180	245	07.18-	*
45 TFSI Mild hybrid quattro (DDWB)		Gasol./el éc.	4WD	1984	183	249	06.21-	*
2.0 TFSI Mild Hybrid (DDWA)		Gasol./el éc.	FWD	1984	185	252	05.17-12.19	*
2.0 TFSI Mild Hybrid quattro (DDWA)		Gasol./el éc.	4WD	1984	185	252	05.17-04.20	*
2.0 TFSI Mild Hybrid quattro (DLHB)		Gasol./el éc.	4WD	1984	185	252	05.17-04.20	*
45 TFSI Mild hybrid quattro		Gasol./el éc.	4WD	1984	195	265	06.20-	*
30 TDI Mild Hybrid		Diesel/el éc.	FWD	1968	100	136	07.18-	*
40 TDI Mild Hybrid		Diesel/el éc.	FWD	1968	150	204	09.20-	*
40 TDI Mild Hybrid quattro		Diesel/el éc.	4WD	1968	150	204	09.20-	*

LISTA DE APLICACIONES - BUYERS GUIDE

2.0 TDI (DEUA)		Diesel	FWD	1968	110	150	08.17-12.19	*	
35 TDI (DEZE)		Diesel	FWD	1968	120	163	10.19-	*	
2.0 TDI (DETA)		Diesel	FWD	1968	140	190	11.16-12.19	*	
2.0 TDI quattro (DETA)		Diesel	4WD	1968	140	190	03.17-04.20	*	
40 TDI (DETA)		Diesel	FWD	1968	140	190	11.16-	*	
40 TDI quattro (DETA)		Diesel	4WD	1968	140	190	03.17-	*	
3.0 TDI (CSWB)		Diesel	FWD	2967	160	218	03.17-08.18	*	
3.0 TDI quattro (CSWB)		Diesel	4WD	2967	160	218	12.16-08.18	*	
3.0 TDI quattro (DCPC)		Diesel	4WD	2967	210	286	11.16-12.19	*	
50 TDI quattro (DCPC)		Diesel	4WD	2967	210	286	11.16-	*	
A5 II (F53, F5P) 06.16-					Coupé (Compact executive car-D Segment)				
1.4 TFSI (CVNA)		Gasolina	FWD	1395	110	150	11.16-02.20	*	
35 TFSI		Gasolina	FWD	1984	110	150	03.20-	*	
2.0 TFSI (CVKB)		Gasolina	FWD	1984	140	190	09.16-02.20	*	
2.0 TFSI (DKYA)		Gasolina	FWD	1984	140	190	09.16-02.20	*	
40 TFSI (DMSA)		Gasolina	FWD	1984	150	204	11.20-	*	
2.0 TFSI quattro (CYRC)		Gasolina	4WD	1984	183	249	06.16-02.20	*	
2.0 TFSI (CYRB)		Gasolina	FWD	1984	185	252	11.16-02.20	*	
2.0 TFSI quattro (CYMC)		Gasolina	4WD	1984	185	252	06.16-	*	
2.0 TFSI quattro (CYRB)		Gasolina	4WD	1984	185	252	06.16-	*	
RS5 TFSI quattro (DECA)		Gasolina	4WD	2894	331	450	04.17-	*	
RS5 TFSI quattro		Gasolina	4WD	2894	346	471	07.24-	*	
S5 TFSI quattro (CWGD)		Gasolina	4WD	2995	260	354	07.16-	*	
35 TFSI Mild Hybrid (DLVB)		Gasol./el éc.	FWD	1984	110	150	02.19-	*	
35 TFSI Mild Hybrid (DMSB)		Gasol./el éc.	FWD	1984	110	150	02.19-	*	
40 TFSI Mild Hybrid (DEMA)		Gasol./el éc.	FWD	1984	140	190	05.17-	*	
40 TFSI Mild Hybrid (DHDA)		Gasol./el éc.	FWD	1984	140	190	05.17-	*	
40 TFSI Mild Hybrid (DKYA)		Gasol./el éc.	FWD	1984	140	190	05.17-	*	
40 TFSI Mild Hybrid (DLVA)		Gasol./el éc.	FWD	1984	140	190	05.17-	*	
40 TFSI Mild Hybrid		Gasol./el éc.	FWD	1984	150	204	07.20-	*	
40 TFSI Mild Hybrid quattro		Gasol./el éc.	4WD	1984	150	204	07.20-	*	
45 TFSI Mild Hybrid (DKNA)		Gasol./el éc.	FWD	1984	180	245	07.18-08.20	*	
45 TFSI Mild hybrid quattro (DKNA)		Gasol./el éc.	4WD	1984	180	245	07.18-08.20	*	
45 TFSI Mild hybrid quattro (DDWB)		Gasol./el éc.	4WD	1984	183	249	11.19-	*	
2.0 TFSI Mild Hybrid (DDWA)		Gasol./el éc.	FWD	1984	185	252	05.17-02.20	*	
2.0 TFSI Mild Hybrid quattro (DDWA)		Gasol./el éc.	4WD	1984	185	252	05.17-02.20	*	
2.0 TFSI Mild Hybrid quattro (DLHB)		Gasol./el éc.	4WD	1984	185	252	05.17-02.20	*	
45 TFSI Mild hybrid quattro		Gasol./el éc.	4WD	1984	195	265	10.19-	*	
30 TDI Mild Hybrid (DEZB)		Diesel/el éc.	FWD	1968	100	136	10.19-	*	
40 TDI Mild Hybrid		Diesel/el éc.	FWD	1968	150	204	09.20-	*	
40 TDI Mild Hybrid quattro		Diesel/el éc.	4WD	1968	150	204	09.20-	*	
50 TDI Mild Hybrid quattro		Diesel/el éc.	4WD	2967	210	286	08.20-	*	

LISTA DE APLICACIONES - BUYERS GUIDE

S5 TDI Mild Hybrid quattro		Diesel/el éc.	4WD	2967	251	341	01.21-	*
S5 TDI Mild Hybrid quattro (DEWB)		Diesel/el éc.	4WD	2967	255	347	12.18-11.20	*
2.0 TDI (CZHA)		Diesel	FWD	1968	110	150	05.17-02.20	*
2.0 TDI (DEUA)		Diesel	FWD	1968	110	150	05.17-02.20	*
35 TDI (CZHA)		Diesel	FWD	1968	110	150	05.17-02.20	*
35 TDI (DEUA)		Diesel	FWD	1968	110	150	05.17-02.20	*
35 TDI (DEZE)		Diesel	FWD	1968	120	163	08.19-	*
2.0 TDI (DESA)		Diesel	FWD	1968	140	190	07.16-02.20	*
2.0 TDI (DETA)		Diesel	FWD	1968	140	190	07.16-02.20	*
2.0 TDI quattro (DESA)		Diesel	4WD	1968	140	190	10.16-12.19	*
2.0 TDI quattro (DETA)		Diesel	4WD	1968	140	190	10.16-12.19	*
40 TDI (DESA)		Diesel	FWD	1968	140	190	06.16-	*
40 TDI (DETA)		Diesel	FWD	1968	140	190	06.16-	*
40 TDI quattro (DETA)		Diesel	4WD	1968	140	190	10.16-	*
3.0 TDI (CSWB)		Diesel	FWD	2967	160	218	11.16-08.18	*
3.0 TDI quattro (CSWB)		Diesel	4WD	2967	160	218	07.16-08.18	*
45 TDI quattro (DCPE)		Diesel	4WD	2967	170	231	07.18-11.20	*
3.0 TDI quattro (CRTC)		Diesel	4WD	2967	200	272	02.17-12.17	*
3.0 TDI quattro (DCPC)		Diesel	4WD	2967	210	286	01.17-02.20	*
50 TDI quattro (DCPC)		Diesel	4WD	2967	210	286	01.17-11.20	*
A5 II Sportback (F5A, F5F) 06.16-					[CAMBIADO]:Fastback (Compact executive car-D Segment)			
1.4 TFSI (CVNA)		Gasolina	FWD	1395	110	150	01.17-02.20	*
2.0 TFSI (CVKB)		Gasolina	FWD	1984	140	190	01.17-02.20	*
2.0 TFSI (DKYA)		Gasolina	FWD	1984	140	190	01.17-02.20	*
40 TFSI (DMSA)		Gasolina	FWD	1984	150	204	11.20-	*
40 TFSI quattro (DMSA)		Gasolina	4WD	1984	150	204	11.20-	*
2.0 TFSI quattro (CYRC)		Gasolina	4WD	1984	183	249	09.16-02.20	*
2.0 TFSI (CYRB)		Gasolina	FWD	1984	185	252	11.16-02.20	*
2.0 TFSI quattro (CYMC)		Gasolina	4WD	1984	185	252	09.16-	*
2.0 TFSI quattro (CYRB)		Gasolina	4WD	1984	185	252	09.16-	*
RS5 TFSI quattro (DECA)		Gasolina	4WD	2894	331	450	06.18-	*
RS5 TFSI quattro		Gasolina	4WD	2894	346	471	07.24-	*
S5 TFSI quattro (CWGD)		Gasolina	4WD	2995	260	354	09.16-	*
2.0 TFSI g-tron (CVLA)		Gasol./Gas (CNG)	FWD	1984	125	170	02.17-02.20	*
40 TFSI g-tron (CVLA)		Gasol./Gas (CNG)	FWD	1984	125	170	02.17-	*
35 TFSI Mild Hybrid (DLVB)		Gasol./el éc.	FWD	1984	110	150	08.18-	*
35 TFSI Mild Hybrid (DMSB)		Gasol./el éc.	FWD	1984	110	150	08.18-	*
40 TFSI Mild Hybrid (DEMA)		Gasol./el éc.	FWD	1984	140	190	05.17-	*
40 TFSI Mild Hybrid (DHDA)		Gasol./el éc.	FWD	1984	140	190	05.17-	*
40 TFSI Mild Hybrid (DKYA)		Gasol./el éc.	FWD	1984	140	190	05.17-	*
40 TFSI Mild Hybrid (DLVA)		Gasol./el éc.	FWD	1984	140	190	05.17-	*
40 TFSI Mild Hybrid (DMSA)		Gasol./el éc.	FWD	1984	150	204	06.20-	*
40 TFSI Mild Hybrid quattro (DMSA)		Gasol./el éc.	4WD	1984	150	204	06.20-	*
45 TFSI Mild Hybrid (DKNA)		Gasol./el éc.	FWD	1984	180	245	07.18-02.20	*

LISTA DE APLICACIONES - BUYERS GUIDE

45 TFSI Mild hybrid quattro (DKNA)		Gasol./el éc.	4WD	1984	180	245	02.19-08.20	*
45 TFSI Mild hybrid quattro (DDWB)		Gasol./el éc.	4WD	1984	183	249	06.21-	*
2.0 TFSI Mild Hybrid (DDWA)		Gasol./el éc.	FWD	1984	185	252	05.17-02.20	*
2.0 TFSI Mild Hybrid quattro (DDWA)		Gasol./el éc.	4WD	1984	185	252	05.17-02.20	*
2.0 TFSI Mild Hybrid quattro (DLHB)		Gasol./el éc.	4WD	1984	185	252	05.17-02.20	*
45 TFSI Mild hybrid quattro		Gasol./el éc.	4WD	1984	195	265	10.19-	*
30 TDI Mild Hybrid (DEZB)		Diesel/el éc.	FWD	1968	100	136	10.19-	*
40 TDI Mild Hybrid		Diesel/el éc.	FWD	1968	150	204	09.20-	*
40 TDI Mild Hybrid quattro		Diesel/el éc.	4WD	1968	150	204	09.20-	*
50 TDI Mild Hybrid quattro (DMGA)		Diesel/el éc.	4WD	2967	210	286	08.20-	*
S5 TDI Mild Hybrid quattro		Diesel/el éc.	4WD	2967	251	341	01.21-	*
S5 TDI Mild Hybrid quattro (DEWB)		Diesel/el éc.	4WD	2967	255	347	12.18-	*
2.0 TDI (DEUB)		Diesel	FWD	1968	100	136	05.17-02.20	*
2.0 TDI (CZHA)		Diesel	FWD	1968	110	150	01.17-02.20	*
2.0 TDI (DEUA)		Diesel	FWD	1968	110	150	01.17-02.20	*
2.0 TDI quattro (CZHA)		Diesel	4WD	1968	110	150	05.17-02.20	*
2.0 TDI quattro (DEUA)		Diesel	4WD	1968	110	150	05.17-02.20	*
35 TDI (DEUA)		Diesel	FWD	1968	110	150	01.17-02.20	*
35 TDI (DEZE)		Diesel	FWD	1968	120	163	08.19-	*
2.0 TDI (DESA)		Diesel	FWD	1968	140	190	09.16-04.20	*
2.0 TDI (DETA)		Diesel	FWD	1968	140	190	09.16-04.20	*
2.0 TDI quattro (DESA)		Diesel	4WD	1968	140	190	10.16-02.20	*
2.0 TDI quattro (DETA)		Diesel	4WD	1968	140	190	10.16-02.20	*
40 TDI (DESA)		Diesel	FWD	1968	140	190	09.16-	*
40 TDI (DETA)		Diesel	FWD	1968	140	190	09.16-	*
40 TDI quattro (DETA)		Diesel	4WD	1968	140	190	08.16-	*
3.0 TDI (CSWB)		Diesel	FWD	2967	160	218	03.17-08.18	*
3.0 TDI quattro (CSWB)		Diesel	4WD	2967	160	218	09.16-08.18	*
45 TDI quattro (DCPE)		Diesel	4WD	2967	170	231	07.18-	*
3.0 TDI quattro (CRTC)		Diesel	4WD	2967	200	272	02.17-12.17	*
3.0 TDI quattro (DCPC)		Diesel	4WD	2967	210	286	01.17-02.20	*
50 TDI quattro (DCPC)		Diesel	4WD	2967	210	286	01.17-	*
A5 Sportback (8TA) 07.07-10.17						[CAMBIADO]:Fastback (Compact executive car-D Segment)		
1.8 TFSI (CJED)		Gasolina	FWD	1798	106	144	09.14-01.17	*
1.8 TFSI (CDHB)		Gasolina	FWD	1798	118	160	11.09-09.11	*
1.8 TFSI (CJEB)		Gasolina	FWD	1798	125	170	08.11-01.17	*
1.8 TFSI (CJEE)		Gasolina	FWD	1798	130	177	05.15-01.17	*
2.0 TFSI (CDNB)		Gasolina	FWD	1984	132	180	09.09-06.14	*
2.0 TFSI (CDNC)		Gasolina	FWD	1984	155	211	09.09-11.13	*
2.0 TFSI quattro (CDNC)		Gasolina	4WD	1984	155	211	09.09-01.17	*
2.0 TFSI (CNCD)		Gasolina	FWD	1984	165	224	05.13-05.16	*
2.0 TFSI quattro (CNCD)		Gasolina	4WD	1984	165	224	05.13-05.16	*
2.0 TFSI (CNCE)		Gasolina	FWD	1984	169	230	08.15-01.17	*
2.0 TFSI quattro (CNCE)		Gasolina	4WD	1984	169	230	08.15-01.17	*
3.0 TFSI quattro (CHMB)		Gasolina	4WD	2995	200	272	12.11-01.17	*

LISTA DE APLICACIONES - BUYERS GUIDE

3.0 TFSI quattro (CMUA)		Gasolina	4WD	2995	200	272	12.11-01.17	*
3.0 TFSI quattro (CRED)		Gasolina	4WD	2995	200	272	12.11-01.17	*
S5 quattro (CAKA)		Gasolina	4WD	2995	245	333	01.10-01.17	*
S5 quattro (CGWC)		Gasolina	4WD	2995	245	333	01.10-01.17	*
S5 quattro (CREC)		Gasolina	4WD	2995	245	333	01.10-01.17	*
S5 quattro (CTDA)		Gasolina	4WD	2995	245	333	01.10-01.17	*
3.2 FSI quattro (CALA)		Gasolina	4WD	3197	195	265	09.09-03.12	*
2.0 TDI (CAGB)		Diesel	FWD	1968	100	136	09.09-01.17	*
2.0 TDI (CJCB)		Diesel	FWD	1968	100	136	09.09-01.17	*
2.0 TDI (CSUB)		Diesel	FWD	1968	100	136	09.09-01.17	*
2.0 TDI (CAGA)		Diesel	FWD	1968	105	143	09.09-01.17	*
2.0 TDI (CJCA)		Diesel	FWD	1968	105	143	09.09-01.17	*
2.0 TDI (CMEA)		Diesel	FWD	1968	105	143	09.09-01.17	*
2.0 TDI (CMFA)		Diesel	FWD	1968	105	143	09.09-01.17	*
2.0 TDI (CJCD)		Diesel	FWD	1968	110	150	05.13-01.17	*
2.0 TDI (CMFB)		Diesel	FWD	1968	110	150	05.13-01.17	*
2.0 TDI (CSUA)		Diesel	FWD	1968	110	150	05.13-01.17	*
2.0 TDI (CAHB)		Diesel	FWD	1968	120	163	09.09-01.17	*
2.0 TDI (CGLD)		Diesel	FWD	1968	120	163	09.09-01.17	*
2.0 TDI (CNHC)		Diesel	FWD	1968	120	163	09.09-01.17	*
2.0 TDI (CAHA)		Diesel	FWD	1968	125	170	09.09-03.12	*
2.0 TDI quattro (CAHA)		Diesel	4WD	1968	125	170	09.09-03.12	*
2.0 TDI (CGLC)		Diesel	FWD	1968	130	177	10.11-01.17	*
2.0 TDI quattro (CGLC)		Diesel	4WD	1968	130	177	12.11-01.17	*
2.0 TDI (CNHA)		Diesel	FWD	1968	140	190	09.13-01.17	*
2.0 TDI quattro (CNHA)		Diesel	4WD	1968	140	190	09.13-01.17	*
2.7 TDI (CGKB)		Diesel	FWD	2698	120	163	09.09-03.12	*
2.7 TDI (CAMA)		Diesel	FWD	2698	140	190	09.09-03.12	*
2.7 TDI (CGKA)		Diesel	FWD	2698	140	190	09.09-03.12	*
3.0 TDI (CLAB)		Diesel	FWD	2967	150	204	10.11-01.17	*
3.0 TDI quattro (CKVD)		Diesel	4WD	2967	160	218	05.15-01.17	*
3.0 TDI quattro (CCWA)		Diesel	4WD	2967	176	240	09.09-03.12	*
3.0 TDI quattro (CDUC)		Diesel	4WD	2967	180	245	10.11-01.17	*
3.0 TDI quattro (CKVB)		Diesel	4WD	2967	180	245	10.11-01.17	*
3.0 TDI quattro (CKVC)		Diesel	4WD	2967	180	245	10.11-01.17	*
A6 V C8 Avant (4A5) 05.18-					[CAMBIADO]:Break (Executive car-E Segment)			
40 TFSI 12V		Gasolina	FWD	1984	140	190	04.20-	*
40 TFSI (DMTC)		Gasolina	FWD	1984	150	204	09.20-	*
45 TFSI		Gasolina	FWD	1984	180	245	04.20-	*
40 TFSI Mild Hybrid		Gasol./el éc.	FWD	1984	140	190	02.19-	*
40 TFSI Mild Hybrid		Gasol./el éc.	FWD	1984	150	204	01.21-	*
45 TFSI Mild Hybrid (DKNA)		Gasol./el éc.	FWD	1984	180	245	08.18-	*
45 TFSI Mild Hybrid (DLHA)		Gasol./el éc.	FWD	1984	180	245	08.18-	*
45 TFSI Mild hybrid quattro (DKNA)		Gasol./el éc.	4WD	1984	180	245	08.18-	*
45 TFSI Mild hybrid quattro (DLHA)		Gasol./el éc.	4WD	1984	180	245	08.18-	*
45 TFSI Mild Hybrid (DMTA)		Gasol./el éc.	FWD	1984	195	265	05.20-	*
45 TFSI Mild hybrid quattro (DMTA)		Gasol./el éc.	4WD	1984	195	265	05.20-	*

LISTA DE APLICACIONES - BUYERS GUIDE

55 TFSI e quattro		Gasol./el éc.	4WD	1984	195	265	02.21-	*
50 TFSI e quattro		Gasol./el éc.	4WD	1984	220	299	02.21-	*
50 TFSI e quattro		Gasol./el éc.	4WD	1984	220	299	02.21-	*
55 TFSI e quattro (DLGA)		Gasol./el éc.	4WD	1984	270	367	04.20-	*
55 TFSI e quattro (DLGA)		Gasol./el éc.	4WD	1984	270	367	02.21-	*
55 TFSI Mild Hybrid quattro (DLZA)		Gasol./el éc.	4WD	2995	250	340	05.18-	*
30 TDI Mild Hybrid (DEZF)		Diesel/el éc.	FWD	1968	100	136	01.19-	*
35 TDI Mild Hybrid (DEZD)		Diesel/el éc.	FWD	1968	120	163	03.19-	*
35 TDI Mild Hybrid quattro		Diesel/el éc.	4WD	1968	120	163	10.20-	*
40 TDI Mild Hybrid		Diesel/el éc.	FWD	1968	140	190	02.19-	*
40 TDI Mild Hybrid (DFBA)		Diesel/el éc.	FWD	1968	150	204	05.18-	*
40 TDI Mild Hybrid quattro (DFBA)		Diesel/el éc.	4WD	1968	150	204	07.18-	*
45 TDI Mild Hybrid quattro (DDVF)		Diesel/el éc.	4WD	2967	155	211	07.18-	*
45 TDI Mild Hybrid quattro (DDVE)		Diesel/el éc.	4WD	2967	170	231	05.18-	*
45 TDI Mild Hybrid quattro		Diesel/el éc.	4WD	2967	180	245	01.21-	*
50 TDI Mild Hybrid quattro (DDVB)		Diesel/el éc.	4WD	2967	210	286	05.18-	*
S6 TDI Mild Hybrid quattro		Diesel/el éc.	4WD	2967	253	344	11.20-	*
S6 TDI Mild Hybrid quattro (DEWA)		Diesel/el éc.	4WD	2967	257	349	03.19-	*
45 TDI quattro		Diesel	4WD	2967	183	249	07.19-	*
A6 V Allroad C8 (4AH) 11.18-					[CAMBIADO]:Break (Executive car-E Segment)			
55 TFSI Mild Hybrid quattro (DLZA)		Gasol./el éc.	4WD	2995	250	340	11.19-	*
40 TDI Mild Hybrid quattro		Diesel/el éc.	4WD	1968	150	204	09.20-	*
45 TDI Mild Hybrid quattro (DDVE)		Diesel/el éc.	4WD	2967	170	231	11.18-	*
45 TDI Mild Hybrid quattro		Diesel/el éc.	4WD	2967	180	245	01.21-	*
50 TDI Mild Hybrid quattro (DDVB)		Diesel/el éc.	4WD	2967	210	286	11.18-	*
55 TDI Mild Hybrid quattro		Diesel/el éc.	4WD	2967	253	344	11.20-	*
55 TDI Mild Hybrid quattro (DEWA)		Diesel/el éc.	4WD	2967	257	349	03.19-	*
45 TDI quattro		Diesel	4WD	2967	183	249	08.19-	*
A6 V C8 (4A2) 02.18-					Sedán (Executive car-E Segment)			
40 TFSI (DMTC)		Gasolina	FWD	1984	150	204	09.20-	*
45 TFSI quattro (DLHB)		Gasolina	4WD	1984	185	252	11.19-	*
40 TFSI Mild Hybrid		Gasol./el éc.	FWD	1984	140	190	02.19-	*
45 TFSI Mild Hybrid (DKNA)		Gasol./el éc.	FWD	1984	180	245	08.18-	*
45 TFSI Mild Hybrid (DLHA)		Gasol./el éc.	FWD	1984	180	245	08.18-	*
45 TFSI Mild hybrid quattro (DKNA)		Gasol./el éc.	4WD	1984	180	245	08.18-	*
45 TFSI Mild hybrid quattro (DLHA)		Gasol./el éc.	4WD	1984	180	245	08.18-	*

LISTA DE APLICACIONES - BUYERS GUIDE

55 TFSI e quattro (DLGA)		Gasol./el éc.	4WD	1984	185	252	11.19-	*	
45 TFSI Mild Hybrid (DMTA)		Gasol./el éc.	FWD	1984	195	265	05.20-	*	
45 TFSI Mild hybrid quattro (DMTA)		Gasol./el éc.	4WD	1984	195	265	05.20-	*	
50 TFSI e quattro (DLGA)		Gasol./el éc.	4WD	1984	220	299	11.19-	*	
50 TFSI e quattro (DLGA)		Gasol./el éc.	4WD	1984	220	299	11.19-	*	
50 TFSI e quattro		Gasol./el éc.	4WD	1984	220	299	02.21-	*	
55 TFSI e quattro (DLGA)		Gasol./el éc.	4WD	1984	270	367	11.19-	*	
55 TFSI e quattro		Gasol./el éc.	4WD	1984	270	367	02.21-	*	
S6 TFSI Mild Hybrid quattro		Gasol./el éc.	4WD	2894	331	450	01.20-	*	
55 TFSI Mild Hybrid quattro (DLZA)		Gasol./el éc.	4WD	2995	250	340	02.18-	*	
30 TDI Mild Hybrid (DEZF)		Diesel/el éc.	FWD	1968	100	136	01.19-	*	
35 TDI Mild Hybrid (DEZD)		Diesel/el éc.	FWD	1968	120	163	03.19-	*	
35 TDI Mild Hybrid quattro		Diesel/el éc.	4WD	1968	120	163	11.20-	*	
40 TDI Mild Hybrid (DFBA)		Diesel/el éc.	FWD	1968	150	204	07.18-	*	
40 TDI Mild Hybrid quattro (DFBA)		Diesel/el éc.	4WD	1968	150	204	07.18-	*	
40 TDI Mild Hybrid quattro		Diesel/el éc.	4WD	1968	150	204	07.18-	*	
40 TDI Mild Hybrid quattro		Diesel/el éc.	4WD	1968	150	204	10.20-	*	
45 TDI Mild Hybrid quattro (DDVF)		Diesel/el éc.	4WD	2967	155	211	07.18-	*	
45 TDI Mild Hybrid quattro (DDVE)		Diesel/el éc.	4WD	2967	170	231	07.18-	*	
45 TDI Mild Hybrid quattro		Diesel/el éc.	4WD	2967	180	245	01.21-	*	
50 TDI Mild Hybrid quattro (DDVB)		Diesel/el éc.	4WD	2967	210	286	02.18-	*	
S6 TDI Mild Hybrid quattro		Diesel/el éc.	4WD	2967	253	344	01.21-	*	
S6 TDI Mild Hybrid quattro (DEWA)		Diesel/el éc.	4WD	2967	257	349	03.19-	*	
40 TDI		Diesel	FWD	1968	140	190	02.19-	*	
45 TDI quattro		Diesel	4WD	2967	183	249	07.19-	*	
A7 II Sportback (4KA) 10.17-					[CAMBIADO]:Fastback (Executive car-E Segment)				
40 TFSI 12V (DKYA)		Gasolina	FWD	1984	140	190	11.19-	*	
45 TFSI (DLHA)		Gasolina	FWD	1984	180	245	11.19-	*	
40 TFSI Mild Hybrid		Gasol./el éc.	FWD	1984	140	190	08.20-	*	
40 TFSI Mild Hybrid		Gasol./el éc.	FWD	1984	150	204	08.20-	*	
45 TFSI Mild Hybrid (DKNA)		Gasol./el éc.	FWD	1984	180	245	07.18-	*	
45 TFSI Mild Hybrid (DLHA)		Gasol./el éc.	FWD	1984	180	245	07.18-	*	
45 TFSI Mild hybrid quattro (DKNA)		Gasol./el éc.	4WD	1984	180	245	07.18-	*	
45 TFSI Mild hybrid quattro (DLHA)		Gasol./el éc.	4WD	1984	180	245	07.18-	*	
45 TFSI Mild Hybrid		Gasol./el éc.	FWD	1984	195	265	05.20-	*	
45 TFSI Mild hybrid quattro		Gasol./el éc.	4WD	1984	195	265	05.20-	*	

LISTA DE APLICACIONES - BUYERS GUIDE

50 TFSI e quattro (DLGA)		Gasol./el éc.	4WD	1984	220	299	11.19-	*
50 TFSI e quattro		Gasol./el éc.	4WD	1984	220	299	02.21-	*
55 TFSI e quattro		Gasol./el éc.	4WD	1984	270	367	07.19-	*
55 TFSI e quattro		Gasol./el éc.	4WD	1984	270	367	07.19-	*
55 TFSI e quattro		Gasol./el éc.	4WD	1984	270	367	02.21-	*
S7 TFSI Mild Hybrid quattro		Gasol./el éc.	4WD	2894	331	450	01.20-	*
55 TFSI Mild Hybrid quattro (DLZA)		Gasol./el éc.	4WD	2995	250	340	10.17-	*
35 TDI Mild Hybrid		Diesel/el éc.	FWD	1968	120	163	10.20-	*
40 TDI Mild Hybrid (DFBA)		Diesel/el éc.	FWD	1968	150	204	09.18-	*
40 TDI Mild Hybrid quattro (DFBA)		Diesel/el éc.	4WD	1968	150	204	09.18-	*
45 TDI Mild Hybrid quattro (DDVF)		Diesel/el éc.	4WD	2967	155	211	04.18-	*
45 TDI Mild Hybrid quattro (DDVE)		Diesel/el éc.	4WD	2967	170	231	06.18-	*
45 TDI Mild Hybrid quattro		Diesel/el éc.	4WD	2967	180	245	01.21-	*
50 TDI Mild Hybrid quattro (DDVB)		Diesel/el éc.	4WD	2967	210	286	10.17-	*
S7 TDI Mild Hybrid quattro		Diesel/el éc.	4WD	2967	253	344	11.20-	*
S7 TDI Mild Hybrid quattro (DEWA)		Diesel/el éc.	4WD	2967	257	349	03.19-	*
45 TDI quattro		Diesel	4WD	2967	183	249	09.19-	*
A7 Sportback (4GA, 4GF) 07.10-11.19					[CAMBIADO]:Fastback (Executive car-E Segment)			
3.0 TFSI quattro		Gasolina	4WD	2995	250	340	05.16-05.18	*
A8 IV D5 (4N2, 4N8, 4NC, 4NL, 4NX) 06.17-					Sedán (Luxury car-F Segment)			
45 TFSI quattro		Gasolina	4WD	1984	195	265	08.22-	*
50 TFSI Mild Hybrid quattro (4N8) (CZSA)		Gasol./el éc.	4WD	2995	210	286	07.18-	*
55 TFSI Mild Hybrid quattro (CZSE)		Gasol./el éc.	4WD	2995	250	340	06.17-	*
60 TFSI e quattro (CZSE)		Gasol./el éc.	4WD	2995	250	340	10.19-	*
60 TFSI e quattro (CZSE)		Gasol./el éc.	4WD	2995	330	449	10.19-	*
60 TFSI e quattro		Gasol./el éc.	4WD	2995	340	462	11.21-	*
60 TFSI Mild Hybrid quattro (CXYA)		Gasol./el éc.	4WD	3996	338	460	05.18-	*
S8 TFSI Mild Hybrid quattro (CWWB)		Gasol./el éc.	4WD	3996	420	571	02.19-	*
50 TDI Mild Hybrid quattro (DDVC)		Diesel/el éc.	4WD	2967	210	286	06.17-	*
60 TDI Mild Hybrid quattro (CVXB)		Diesel/el éc.	4WD	3956	320	435	11.19-	*
45 TDI quattro (CVMD)		Diesel	4WD	2967	183	249	01.19-	*
E-TRON (GEN) 09.18-					SUV (Luxury Crossover SUV-J Segment)			
S quattro		Eléctrico	4WD		226	307	09.20-	*
50 quattro (EASB)		Eléctrico	4WD		230	313	09.19-07.23	*
50 quattro (EAWA)		Eléctrico	4WD		230	313	09.19-07.23	*
55 quattro (EASA)		Eléctrico	4WD		300	408	09.18-07.23	*
55 quattro (EAWA)		Eléctrico	4WD		300	408	09.18-07.23	*
S quattro		Eléctrico	4WD		370	503	09.20-07.23	*

LISTA DE APLICACIONES - BUYERS GUIDE

					Sedán (Luxury Crossover SUV-J Segment)			
E-TRON GT (F83, F8P) 07.20-					350	476	11.20-	*
GT quattro		Eléctrico	4WD		390	530	09.21-	*
GT quattro		Eléctrico	4WD		440	599	02.21-07.24	*
RS quattro		Eléctrico	4WD		475	646	09.21-	*
RS quattro		Eléctrico	4WD					
E-TRON Sportback (GEA) 09.19-					SUV (Luxury Crossover SUV-J Segment)			
S quattro		Eléctrico	4WD		226	307	09.20-	*
50 quattro (EASB)		Eléctrico	4WD		230	313	09.19-07.23	*
50 quattro (EAWA)		Eléctrico	4WD		230	313	09.19-07.23	*
55 quattro (EASA)		Eléctrico	4WD		300	408	09.19-07.23	*
55 quattro (EAWA)		Eléctrico	4WD		300	408	09.19-07.23	*
S quattro		Eléctrico	4WD		370	503	09.20-07.23	*
Q3 II (F3B) 07.18-					SUV (Compact Crossover SUV-C Segment)			
2.5 RS TFSI quattro (DAZA)		Gasolina	4WD	2480	294	400	10.19-	*
2.5 RS TFSI quattro (DNWA)		Gasolina	4WD	2480	294	400	10.19-	*
Q3 II Sportback (F3N) 06.19-					SUV (Compact Crossover SUV-C Segment)			
2.5 RS TFSI quattro (DAZA)		Gasolina	4WD	2480	294	400	10.19-	*
2.5 RS TFSI quattro (DNWA)		Gasolina	4WD	2480	294	400	10.19-	*
Q5 II (FYB, FYG) 05.16-					Furgoneta/SUV (Luxury Crossover SUV-J Segment)			
3.0 SQ5 TDI Mild Hybrid quattro		Diesel/el éc.	4WD	2967	255	347	02.19-11.20	*
3.0 TDI quattro		Diesel	4WD	2967	210	286	07.17-11.20	*
Q5 II (FYB, FYG) 05.16-					SUV (Luxury Crossover SUV-J Segment)			
2.0 TFSI quattro (DAXC)		Gasolina	4WD	1984	183	249	01.17-11.20	*
2.0 TFSI quattro (DAXB)		Gasolina	4WD	1984	185	252	06.16-11.20	*
2.0 TFSI quattro (DAYB)		Gasolina	4WD	1984	185	252	06.16-11.20	*
SQ5 TFSI quattro (CWGD)		Gasolina	4WD	2995	260	354	11.16-	*
40 TFSI Mild Hybrid quattro		Gasol./el éc.	4WD	1984	150	204	10.21-	*
45 TFSI Mild hybrid quattro (DGKB)		Gasol./el éc.	4WD	1984	180	245	12.18-	*
45 TFSI Mild hybrid quattro (DNNTA)		Gasol./el éc.	4WD	1984	180	245	12.18-	*
50 TFSI e quattro (DLGA)		Gasol./el éc.	4WD	1984	185	252	04.19-11.20	*
55 TFSI e quattro (DLGA)		Gasol./el éc.	4WD	1984	185	252	08.19-11.20	*
45 TFSI Mild hybrid quattro (DPUA)		Gasol./el éc.	4WD	1984	195	265	08.20-	*
45 TFSI Mild hybrid quattro (DPVA)		Gasol./el éc.	4WD	1984	195	265	08.20-	*
55 TFSI e quattro		Gasol./el éc.	4WD	1984	195	265	02.21-	*
50 TFSI e quattro (DLGA)		Gasol./el éc.	4WD	1984	220	299	04.19-	*
50 TFSI e quattro		Gasol./el éc.	4WD	1984	220	299	02.21-	*
55 TFSI e quattro (DLGA)		Gasol./el éc.	4WD	1984	270	367	08.19-	*
55 TFSI e quattro		Gasol./el éc.	4WD	1984	270	367	02.21-	*
30 TDI Mild Hybrid (DEZB)		Diesel/el éc.	FWD	1968	100	136	09.19-	*
35 TDI Mild Hybrid (DEZE)		Diesel/el éc.	FWD	1968	120	163	09.19-	*
40 TDI Mild Hybrid quattro (DFBA)		Diesel/el éc.	4WD	1968	150	204	09.19-	*

LISTA DE APLICACIONES - BUYERS GUIDE

50 TDI Mild Hybrid quattro (DMGA)		Diesel/el éc.	4WD	2967	210	286	06.20-	*
SQ5 TDI Mild Hybrid quattro		Diesel/el éc.	4WD	2967	251	341	01.21-	*
SQ5 TDI Mild Hybrid quattro (DEWB)		Diesel/el éc.	4WD	2967	255	347	02.19-09.20	*
2.0 TDI (DEUB)		Diesel	FWD	1968	100	136	01.17-11.20	*
2.0 TDI (DEUA)		Diesel	FWD	1968	110	150	01.17-11.20	*
2.0 TDI quattro (DETB)		Diesel	4WD	1968	120	163	06.16-08.18	*
35 TDI		Diesel	FWD	1968	120	163	10.21-	*
35 TDI quattro (DETB)		Diesel	4WD	1968	120	163	08.18-11.20	*
2.0 TDI quattro (DESA)		Diesel	4WD	1968	140	190	06.16-08.18	*
2.0 TDI quattro (DETA)		Diesel	4WD	1968	140	190	06.16-08.18	*
40 TDI quattro (DESA)		Diesel	4WD	1968	140	190	10.18-	*
40 TDI quattro (DETA)		Diesel	4WD	1968	140	190	10.18-	*
45 TDI quattro (DCPE)		Diesel	4WD	2967	170	231	08.18-11.20	*
3.0 TDI quattro (DCPC)		Diesel	4WD	2967	210	286	07.17-11.20	*
50 TDI quattro (DCPC)		Diesel	4WD	2967	210	286	03.19-11.20	*
Q5 II Sportback (FYT) 11.20-					SUV (Luxury Crossover SUV-J Segment)			
40 TFSI Mild Hybrid quattro		Gasol./el éc.	4WD	1984	150	204	10.21-	*
45 TFSI Mild hybrid quattro		Gasol./el éc.	4WD	1984	195	265	11.20-	*
50 TFSI e quattro		Gasol./el éc.	4WD	1984	220	299	02.21-	*
2.0 55 TFSI e quattro		Gasol./el éc.	4WD	1984	270	367	07.21-	*
55 TFSI e quattro		Gasol./el éc.	4WD	1984	270	367	06.21-	*
35 TDI Mild Hybrid		Diesel/el éc.	FWD	1968	120	163	04.21-	*
40 TDI Mild Hybrid quattro		Diesel/el éc.	4WD	1968	150	204	11.20-	*
50 TDI Mild Hybrid quattro		Diesel/el éc.	4WD	2967	210	286	02.21-	*
SQ5 TDI Mild Hybrid quattro		Diesel/el éc.	4WD	2967	251	341	02.21-	*
Q7 II (4MB, 4MG) 01.15-					Furgoneta/SUV (Luxury Crossover SUV-J Segment)			
3.0 45 TDI Mild Hybrid quattro		Diesel/el éc.	4WD	2967	170	231	07.18-12.19	*
3.0 50 TDI Mild Hybrid quattro		Diesel/el éc.	4WD	2967	210	286	07.18-12.19	*
3.0 TDI quattro		Diesel	4WD	2967	160	218	08.15-12.19	*
3.0 TDI quattro		Diesel	4WD	2967	200	272	01.15-12.19	*
4.0 SQ7 TDI quattro		Diesel	4WD	3956	320	435	04.16-	*
Q7 II (4MB, 4MG, 4MQ) 01.15-					SUV (Luxury Crossover SUV-J Segment)			
45 TFSI quattro		Gasolina	4WD	1984	180	245	03.20-	*
2.0 TFSI quattro (CYMC)		Gasolina	4WD	1984	185	252	08.15-	*
2.0 TFSI quattro (CYRB)		Gasolina	4WD	1984	185	252	08.15-	*
45 TFSI quattro		Gasolina	4WD	1984	195	265	11.22-	*
3.0 TFSI quattro (CREC)		Gasolina	4WD	2995	245	333	01.15-12.19	*
55 TFSI quattro (DCBD)		Gasolina	4WD	2995	250	340	03.20-	*
55 TFSI quattro (DCBE)		Gasolina	4WD	2995	250	340	01.21-	*
SQ7 quattro (DCUE)		Gasolina	4WD	3996	373	507	02.20-	*
SQ7 quattro (DCUE)		Gasolina	4WD	3996	373	507	02.20-	*
2.0 TFSI e-tron quattro (CVJA)		Gasol./el éc.	4WD	1984	270	367	02.16-12.19	*

LISTA DE APLICACIONES - BUYERS GUIDE

55 TFSI Mild Hybrid quattro (DCBD)	Gasol./el éc.	4WD	2995	250	340	07.19-	*
60 TFSI e quattro (DCBE)	Gasol./el éc.	4WD	2995	250	340	11.19-	*
55 TFSI e quattro	Gasol./el éc.	4WD	2995	280	381	11.19-	*
55 TFSI e quattro	Gasol./el éc.	4WD	2995	290	394	04.24-	*
60 TFSI e quattro (DCBE)	Gasol./el éc.	4WD	2995	335	455	11.19-	*
60 TFSI e quattro	Gasol./el éc.	4WD	2995	340	462	10.20-	*
45 TDI Mild Hybrid quattro (DHXC)	Diesel/el éc.	4WD	2967	170	231	07.18-	*
50 TDI Mild Hybrid quattro (DHXA)	Diesel/el éc.	4WD	2967	210	286	07.18-	*
3.0 TDI e-tron quattro (CVZA)	Diesel/el éc.	4WD	2967	275	374	08.15-12.19	*
3.0 TDI quattro (CZZB)	Diesel	4WD	2967	155	211	08.15-12.19	*
3.0 TDI quattro (CRTE)	Diesel	4WD	2967	160	218	06.15-12.19	*
3.0 TDI quattro (CZZA)	Diesel	4WD	2967	160	218	06.15-12.19	*
3.0 TDI quattro (CVMD)	Diesel	4WD	2967	183	249	06.15-12.19	*
45 TDI quattro	Diesel	4WD	2967	183	249	07.19-	*
3.0 TDI quattro (CUEA)	Diesel	4WD	2967	190	258	08.15-12.19	*
3.0 TDI quattro (CRTC)	Diesel	4WD	2967	200	272	01.15-12.19	*
SQ7 TDI quattro (CZAC)	Diesel	4WD	3956	320	435	04.16-	*
Q8 (4MN, 4MT) 02.18-				SUV (Luxury Crossover SUV-J Segment)			
45 TFSI	Gasolina	4WD	1984	180	245	07.20-	*
45 TFSI quattro	Gasolina	4WD	1984	180	245	10.19-	*
45 TFSI quattro	Gasolina	4WD	1984	195	265	04.23-	*
SQ8 quattro (DCUE)	Gasolina	4WD	3996	373	507	02.20-	*
55 TFSI Mild Hybrid quattro (DCBD)	Gasol./el éc.	4WD	2995	250	340	02.18-	*
55 TFSI e quattro	Gasol./el éc.	4WD	2995	280	381	10.20-	*
55 TFSI e quattro	Gasol./el éc.	4WD	2995	280	381	11.20-	*
55 TFSI e quattro	Gasol./el éc.	4WD	2995	290	394	04.24-	*
60 TFSI e quattro	Gasol./el éc.	4WD	2995	340	462	10.20-	*
60 TFSI e quattro	Gasol./el éc.	4WD	2995	340	462	11.20-	*
SQ8 Mild Hybrid quattro (DCUE)	Gasol./el éc.	4WD	3996	373	507	02.20-	*
RS FSI Mild Hybrid quattro (DHUB)	Gasol./el éc.	4WD	3996	441	600	09.19-	*
45 TDI Mild Hybrid quattro (DHXC)	Diesel/el éc.	4WD	2967	170	231	07.18-	*
50 TDI Mild Hybrid quattro (DHXA)	Diesel/el éc.	4WD	2967	210	286	07.18-	*
SQ8 TDI Mild Hybrid quattro (DHVA)	Diesel/el éc.	4WD	3956	320	435	05.18-	*
45 TDI quattro	Diesel	4WD	2967	183	249	02.18-	*
Q8 E-TRON (GEG) 11.22-				SUV (Luxury Crossover SUV-J Segment)			
50 quattro	Eléctrico	4WD		250	340	11.22-03.25	*
50 quattro	Eléctrico	4WD		250	340	11.22-03.25	*
55 quattro	Eléctrico	4WD		300	408	11.22-03.25	*
55 quattro	Eléctrico	4WD		300	408	11.22-03.25	*
SQ8 quattro	Eléctrico	4WD		370	503	11.22-03.25	*
SQ8 quattro	Eléctrico	4WD		370	503	11.22-03.25	*

LISTA DE APLICACIONES - BUYERS GUIDE

AUDI (FAW)

A6L IV C8 (488) 01.19-					Sedán (Executive car-E Segment)			
55 TFSI e quattro		Gasol./el éc.	4WD	1984	185	252	01.20-	*
55 TFSI e quattro		Gasol./el éc.	4WD	1984	270	367	01.20-	*
55 TFSI Mild Hybrid quattro		Gasol./el éc.	4WD	2995	250	340	01.19-	*
E-TRON (GEB) 07.20-					SUV (Luxury Crossover SUV-J Segment)			
EV (EASB, EAWA)		Eléctrico	4WD		230	313	04.21-	*
Q5L II Sportback (87F) 11.20-					SUV (Luxury Crossover SUV-J Segment)			
40 TFSI quattro (DTAA)		Gasolina	4WD	1984	140	190	11.20-	*
45 TFSI quattro (DKWA)		Gasolina	4WD	1984	185	252	11.20-	*

CUPRA

FORMENTOR (KM7, KMP) 07.20-					SUV (Compact SUV-J Segment)			
2.0 VZ 4Drive		Gasolina	4WD	1984	245	333	08.24-	*
2.5 VZ5 4Drive		Gasolina	4WD	2480	287	390	10.21-	*
TERRAMAR (KP1) 06.24-					SUV (Compact Crossover SUV-C Segment)			
2.0 TSI VZ 4Drive		Gasolina	4WD	1984	195	265	11.24-	*
1.5 eTSI		Gasol./el éc.	FWD	1498	110	150	11.24-	*
1.5 TSI eHybrid		Gasol./el éc.	FWD	1498	150	204	06.24-	*
1.5 e-HYBRID VZ		Gasol./el éc.	FWD	1498	200	272	11.24-	*

VW

TOUAREG III (CR7, RC8) 11.17-					SUV (Luxury Crossover SUV-J Segment)			
2.0 TSI 4motion		Gasolina	4WD	1984	180	245	08.18-11.22	*
2.0 TFSI 4motion (CYRC)		Gasolina	4WD	1984	183	249	05.18-11.23	*
2.0 TSI 4motion		Gasolina	4WD	1984	185	252	09.18-11.23	*
3.0 TSI 4motion (DCBE)		Gasolina	4WD	2995	250	340	03.18-	*
eHybrid 4motion (DFKA)		Gasol./el éc.	4WD	1984	185	252	11.20-	*
eHybrid 4motion (DFKA)		Gasol./el éc.	4WD	1984	270	367	11.20-06.22	*
3.0 eHybrid 4motion		Gasol./el éc.	4WD	2995	280	381	11.20-	*
3.0 R 4motion		Gasol./el éc.	4WD	2995	340	462	09.20-	*
3.0 TDI 4motion (DEND)		Diesel	4WD	2967	170	231	05.18-	*
3.0 TDI 4motion (CVMD)		Diesel	4WD	2967	183	249	01.18-11.23	*
3.0 TDI 4motion		Diesel	4WD	2967	190	258	11.17-	*
3.0 TDI 4motion (DENA)		Diesel	4WD	2967	210	286	11.17-	*
4.0 V8 TDI 4motion (DMVB)		Diesel	4WD	3956	310	421	06.19-11.21	*