

LISTA DE APLICACIONES - BUYERS GUIDE

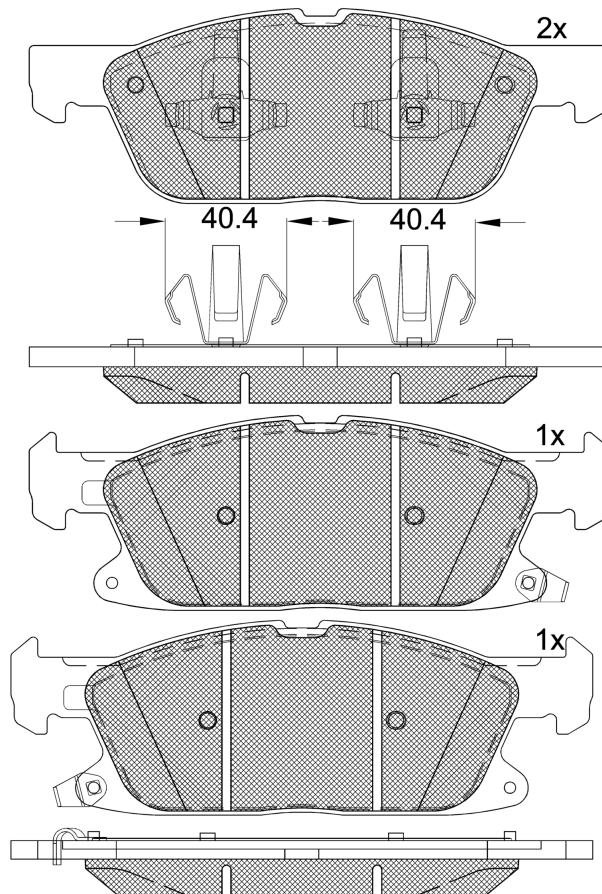
RB2250



Qty: 300

Weight: 2.770

O.E.M.	MAKE
1 884 555	FORD
2 241 923	FORD
2 268 042	FORD USA
2 388 246	FORD
5 301 453	FORD USA
5 311 041	FORD USA
5 311 711	FORD USA
5 320 461	FORD USA
5 320 463	FORD USA
E1GC-2K021-AC	FORD
F2GC-2001-AA	FORD USA
F2GC-2001-AB	FORD USA
F2GC-2001-AC	FORD USA
F2GC-2001-BF	FORD USA
F2GC-2001-CA	FORD USA
F2GC-2001-CB	FORD USA
F2GZ-2001-A	FORD USA
F2GZ-2001-C	FORD USA
F2GZ-2001-K	LINCOLN
F2GZ-2001-M	FORD USA
G3GZ-2001-B	LINCOLN
G3GZ-2001-C	FORD USA
HP5Z-2001-B	LINCOLN
KTJ1GC-2K021-AA	FORD
KTLX61-2K021-CYC	FORD



RB2250

E 9 90R-02A0111/4679



Ate - Teves

193.1x64.7x19.3

WVA	FMSI
22368	D1818-9053
22369	D2180-9053
22412	
22413	
22414	

Sin Filas



Trac.	CC	Kw	CV
-------	----	----	----



Front / Rear

CHANGAN

CS95 03.17-								SUV ()
360 T		Gasolina	FWD	1998	171	233	03.17-	*
360 T 4WD (JL486ZQ3)		Gasolina	4WD	1998	171	233	03.17-	*

FORD

FOCUS IV (HN) 01.18-								[CAMBIADO]:Fastback (Compact car-C Segment)
2.3 ST EcoBoost (N3DA)		Gasolina	FWD	2261	206	280	04.19-11.25	*
2.3 ST EcoBoost (N3DB)		Gasolina	FWD	2261	206	280	04.19-11.25	*
2.0 ST EcoBlue		Diesel	FWD	1996	140	190	04.19-11.25	*

FOCUS IV Turnier (HP) 09.18-								[CAMBIADO]:Break (Compact car-C Segment)
2.3 ST EcoBoost (N3DA)		Gasolina	FWD	2261	206	280	04.19-11.25	*
2.3 ST EcoBoost (N3DB)		Gasolina	FWD	2261	206	280	04.19-11.25	*
2.0 ST EcoBlue		Diesel	FWD	1995	140	190	04.19-11.25	*

GALAXY III (CK) 01.15-								MPV (Large MPV-M1 Segment)
1.5 EcoBoost (UNCJ)		Gasolina	FWD	1499	118	160	01.15-06.18	*
1.5 EcoBoost (UNCK)		Gasolina	FWD	1499	118	160	01.15-06.18	*
1.5 EcoBoost		Gasolina	FWD	1499	121	165	07.18-04.23	*
2.0 EcoBoost (R9CD)		Gasolina	FWD	1999	176	240	01.15-04.23	*
2.0 EcoBoost (R9CI)		Gasolina	FWD	1999	176	240	01.15-04.23	*
2.0 EcoBlue (YNCA)		Diesel	FWD	1995	88	120	07.18-04.23	*
2.0 EcoBlue (YMCB)		Diesel	FWD	1995	110	150	07.18-04.23	*
2.0 EcoBlue 4x4 (YMCB)		Diesel	4WD	1995	110	150	07.18-04.23	*
2.0 EcoBlue (BCCC)		Diesel	FWD	1995	140	190	07.18-04.23	*

LISTA DE APLICACIONES - BUYERS GUIDE

2.0 EcoBlue 4x4 (BCCC)		Diesel	4WD	1995	140	190	07.18-04.23	*	
2.0 EcoBlue BI-Turbo (YLCB)		Diesel	FWD	1995	176	240	07.18-04.23	*	
2.0 TDCi (UFCA)		Diesel	FWD	1997	88	120	01.15-06.18	*	
2.0 TDCi (UFCB)		Diesel	FWD	1997	88	120	01.15-06.18	*	
2.0 TDCi (T7CI)		Diesel	FWD	1997	110	150	01.15-06.18	*	
2.0 TDCi (T7CJ)		Diesel	FWD	1997	110	150	01.15-06.18	*	
2.0 TDCi (T7CK)		Diesel	FWD	1997	110	150	01.15-06.18	*	
2.0 TDCi (T7CL)		Diesel	FWD	1997	110	150	01.15-06.18	*	
2.0 TDCi 4x4 (T7CI)		Diesel	4WD	1997	110	150	05.15-06.18	*	
2.0 TDCi 4x4 (T7CJ)		Diesel	4WD	1997	110	150	05.15-06.18	*	
2.0 TDCi 4x4 (T7CL)		Diesel	4WD	1997	110	150	05.15-06.18	*	
2.0 TDCi (T8CG)		Diesel	FWD	1997	132	180	01.15-06.18	*	
2.0 TDCi (T8CH)		Diesel	FWD	1997	132	180	01.15-06.18	*	
2.0 TDCi (T8CI)		Diesel	FWD	1997	132	180	01.15-06.18	*	
2.0 TDCi (T8CJ)		Diesel	FWD	1997	132	180	01.15-06.18	*	
2.0 TDCi 4x4 (T8CG)		Diesel	4WD	1997	132	180	05.15-06.18	*	
2.0 TDCi 4x4 (T8CH)		Diesel	4WD	1997	132	180	05.15-06.18	*	
2.0 TDCi 4x4 (T8CI)		Diesel	4WD	1997	132	180	05.15-06.18	*	
2.0 TDCi 4x4 (T8CJ)		Diesel	4WD	1997	132	180	05.15-06.18	*	
2.0 TDCi Bi-Turbo (T9CB)		Diesel	FWD	1997	154	210	01.15-06.18	*	
2.0 TDCi Bi-Turbo (T9CC)		Diesel	FWD	1997	154	210	01.15-06.18	*	
GALAXY III Van (CK) 03.19-							Furgoneta/MPV (Large MPV-M1 Segment)		
2.0 EcoBlue (YMCB)		Diesel	FWD	1995	110	150	03.19-04.23	*	
2.0 EcoBlue AWD (BCCC)		Diesel	4WD	1995	140	190	03.19-04.23	*	
KUGA III / ESCAPE IV (DFK) 07.19-							SUV (Compact SUV-J Segment)		
2.5 Duratec Plug-in-Hybrid 4x4		Gasol./el éc.	FWD	2488	112	152	07.19-	*	
2.5 FHEV		Gasol./el éc.	FWD	2488	112	152	01.21-	*	
2.5 FHEV 4x4		Gasol./el éc.	4WD	2488	112	152	01.21-	*	
2.5 FHEV		Gasol./el éc.	FWD	2488	140	190	01.21-	*	
2.5 FHEV 4x4		Gasol./el éc.	4WD	2488	140	190	01.21-	*	
2.5 Duratec Plug-in-Hybrid 4x4		Gasol./el éc.	FWD	2488	165	224	07.19-	*	
2.5 Duratec Plug-in-Hybrid 4x4		Gasol./el éc.	4WD	2488	165	224	07.19-	*	
2.0 EcoBlue mHEV (YLDC)		Diesel/el éc.	FWD	1995	110	150	07.19-	*	
2.0 TDCi		Diesel	FWD	1995	88	120	11.22-	*	
2.0 TDCi 4x4		Diesel	4WD	1995	88	120	11.22-	*	
2.0 EcoBlue 4x4		Diesel	4WD	1995	140	190	07.19-	*	
2.0 EcoBlue 4x4		Diesel	4WD	1996	110	150	02.21-	*	
MONDEO V (CD) 09.12-							Sedán (Large family car-D Segment)		
2.5 4x4		Gasolina	4WD	2488	130	177	09.12-03.22	*	
S-MAX II (CJ, WA6) 01.15-							MPV (Large MPV-M1 Segment)		
1.5 EcoBoost (UNCI)		Gasolina	FWD	1499	118	160	01.15-06.18	*	
1.5 EcoBoost (UNCJ)		Gasolina	FWD	1499	118	160	01.15-06.18	*	
1.5 EcoBoost (UNCK)		Gasolina	FWD	1499	118	160	01.15-06.18	*	
1.5 EcoBoost		Gasolina	FWD	1499	121	165	07.18-04.23	*	
2.0 EcoBoost (R9CD)		Gasolina	FWD	1999	176	240	01.15-04.23	*	
2.0 EcoBoost (R9CI)		Gasolina	FWD	1999	176	240	01.15-04.23	*	

LISTA DE APLICACIONES - BUYERS GUIDE

2.0 EcoBlue (YNCA)		Diesel	FWD	1995	88	120	07.18-04.23	*
2.0 EcoBlue (YMCB)		Diesel	FWD	1995	110	150	07.18-04.23	*
2.0 EcoBlue 4x4 (YMCB)		Diesel	4WD	1995	110	150	07.18-04.23	*
2.0 EcoBlue (BCCC)		Diesel	FWD	1995	140	190	07.18-04.23	*
2.0 EcoBlue 4x4 (BCCC)		Diesel	4WD	1995	140	190	07.18-04.23	*
2.0 EcoBlue BI-Turbo (YLCB)		Diesel	FWD	1995	176	240	07.18-04.23	*
2.0 TDCi (UFCA)		Diesel	FWD	1997	88	120	01.15-06.18	*
2.0 TDCi (UFCB)		Diesel	FWD	1997	88	120	01.15-06.18	*
2.0 TDCi (T7CI)		Diesel	FWD	1997	110	150	01.15-06.18	*
2.0 TDCi (T7CJ)		Diesel	FWD	1997	110	150	01.15-06.18	*
2.0 TDCi (T7CK)		Diesel	FWD	1997	110	150	01.15-06.18	*
2.0 TDCi (T7CL)		Diesel	FWD	1997	110	150	01.15-06.18	*
2.0 TDCi 4x4 (T7CI)		Diesel	4WD	1997	110	150	01.15-06.18	*
2.0 TDCi 4x4 (T7CJ)		Diesel	4WD	1997	110	150	01.15-06.18	*
2.0 TDCi 4x4 (T7CK)		Diesel	4WD	1997	110	150	01.15-06.18	*
2.0 TDCi 4x4 (T7CL)		Diesel	4WD	1997	110	150	01.15-06.18	*
2.0 TDCi (T8CG)		Diesel	FWD	1997	132	180	01.15-06.18	*
2.0 TDCi (T8CH)		Diesel	FWD	1997	132	180	01.15-06.18	*
2.0 TDCi (T8CI)		Diesel	FWD	1997	132	180	01.15-06.18	*
2.0 TDCi (T8CJ)		Diesel	FWD	1997	132	180	01.15-06.18	*
2.0 TDCi 4x4 (T8CG)		Diesel	4WD	1997	132	180	01.15-06.18	*
2.0 TDCi 4x4 (T8CH)		Diesel	4WD	1997	132	180	01.15-06.18	*
2.0 TDCi 4x4 (T8CI)		Diesel	4WD	1997	132	180	01.15-06.18	*
2.0 TDCi 4x4 (T8CJ)		Diesel	4WD	1997	132	180	01.15-06.18	*
2.0 TDCi Bi-Turbo (T9CB)		Diesel	FWD	1997	154	210	01.15-06.18	*
2.0 TDCi Bi-Turbo (T9CC)		Diesel	FWD	1997	154	210	01.15-06.18	*

FORD (CHANGAN)

EDGE 04.15-					SUV (Compact SUV-J Segment)			
2.0 GTDi (CAF488WQ5,CAF488WQB6)		Gasolina	FWD	1999	180	245	04.15-	*
2.0 GTDi (CAF488WQ5,CAF488WQB6)		Gasolina	4WD	1999	180	245	04.15-	*
2.7 GTDI 4WD (GTDIQ5)		Gasolina	4WD	2694	242	329	04.15-	*
EDGE PLUS 12.20-					SUV (Compact SUV-J Segment)			
EcoBoost 245 (CAF488WQB6)		Gasolina	FWD	1999	180	245	12.20-	*
EcoBoost 245 4WD (CAF488WQB6)		Gasolina	4WD	1999	180	245	12.20-	*
ESCAPE IV 12.19-					SUV (Compact SUV-J Segment)			
EcoBoost 245 (CAF488WQE6)		Gasolina	FWD	1999	182	248	04.00-	*
EcoBoost 245 A las 4 ruedas (CAF488WQE6)		Gasolina	4WD	1999	182	248	12.19-	*
TAURUS 11.15-					Sedán (Executive car-E Segment)			
2.0 (CAF488WQ7)		Gasolina	FWD	1999	172	234	04.19-	*
2.0 GTDi		Gasolina	FWD	1999	180	245	11.15-	*
2.7 GTDi		Gasolina	FWD	2694	242	329	11.15-	*

FORD AUSTRALIA

ENDURA (CA) 10.18-					SUV (Compact SUV-J Segment)			
2.0 (BCCA, BCCB)		Diesel	FWD	1995	140	190	10.18-	*
2.0 AWD (BCCA, BCCB)		Diesel	4WD	1995	140	190	10.18-	*
ESCAPE IV (ZH) 04.20-					SUV (Compact SUV-J Segment)			
2.0 EcoBoost		Gasolina	FWD	1997	183	249	04.20-	*
2.0 EcoBoost		Gasolina	4WD	1997	183	249	04.20-	*

LISTA DE APLICACIONES - BUYERS GUIDE

2.5 Hybrid		Gasol./el éc.	FWD	2488	167	227	04.20-	*
FOCUS (SA) 08.18-					[CAMBIADO]:Fastback (Compact car-C Segment)			
2.3 ST		Gasolina	FWD	2261	206	280	12.19-	*
FORD USA								
EDGE (U387) 01.06-					SUV (Compact SUV-J Segment)			
3.5		Gasolina	FWD	3496	198	269	08.06-	*
3.5 AWD		Gasolina	4WD	3496	198	269	08.06-	*
3.5		Gasolina	FWD	3496	213	290	01.10-12.15	*
3.5 AWD		Gasolina	4WD	3496	213	290	01.10-	*
EDGE II (CD539) 01.14-					SUV (Compact SUV-J Segment)			
2.0		Gasolina	FWD	1999	183	249	09.14-	*
2.0 AWD		Gasolina	4WD	1999	183	249	09.14-	*
2.0		Gasolina	FWD	1999	186	253	01.15-	*
2.0 AWD		Gasolina	4WD	1999	186	253	01.15-	*
2.7		Gasolina	FWD	2694	235	320	09.14-12.17	*
2.7 AWD		Gasolina	4WD	2694	235	320	09.14-12.17	*
2.7		Gasolina	FWD	2694	239	325	09.14-	*
2.7 AWD		Gasolina	4WD	2694	239	325	09.14-	*
2.7 AWD		Gasolina	4WD	2694	250	340	01.15-	*
3.5		Gasolina	FWD	3496	208	283	09.14-	*
3.5 AWD		Gasolina	4WD	3496	208	283	09.14-	*
3.5 AWD		Gasolina	4WD	3496	209	284	09.14-	*
3.5		Gasolina	FWD	3496	213	290	09.14-	*
2.0 EcoBlue (YMCA)		Diesel	FWD	1995	110	150	08.18-	*
2.0 EcoBlue AWD (BCCA)		Diesel	4WD	1995	140	190	08.18-	*
2.0 EcoBlue AWD (BCCB)		Diesel	4WD	1995	140	190	08.18-	*
2.0 EcoBlue AWD (YLCA)		Diesel	4WD	1995	175	238	08.18-	*
2.0 TDCi AWD (T8CC)		Diesel	4WD	1997	132	180	08.15-07.18	*
2.0 TDCi AWD (T8CM)		Diesel	4WD	1997	132	180	08.15-07.18	*
2.0 TDCi Bi-Turbo AWD (T9CE)		Diesel	4WD	1997	154	210	08.15-07.18	*
2.0 TDCi Bi-Turbo AWD (T9CF)		Diesel	4WD	1997	154	210	08.15-07.18	*
FUSION (U.S.A.) 06.05-					Sedán (Large family car-D Segment)			
3.0		Gasolina	FWD	2967	176	239	08.05-	*
3.0 A las 4 ruedas		Gasolina	4WD	2967	179	243	02.09-10.12	*
3.5		Gasolina	FWD	3496	193	262	09.06-	*
HAVAL								
H7L 01.16-					SUV ()			
2.0 T (GW4C20A)		Gasolina	FWD	1967	170	231	01.16-	*
LINCOLN								
CONTINENTAL IX 01.95-12.02					Sedán (Executive car-E Segment)			
4.6		Gasolina	FWD	4601	202	275	06.98-12.02	*
CONTINENTAL X 11.16-					Sedán (Executive car-E Segment)			
2.0		Gasolina	FWD	1999	192	261	11.16-	*
3.0 AWD		Gasolina	4WD	2956	278	378	11.16-	*
MKX II / NAUTILUS 10.15-					SUV (Compact SUV-J Segment)			
2.0 T		Gasolina	FWD	1999	186	253	10.15-12.18	*
2.0 T AWD		Gasolina	4WD	1999	186	253	10.15-12.18	*

LISTA DE APLICACIONES - BUYERS GUIDE

2.7		Gasolina	FWD	2694	250	340	11.15-12.18	*
2.7 AWD		Gasolina	4WD	2694	250	340	11.15-12.18	*
3.5		Gasolina	FWD	3495	195	265	11.15-	*
3.7		Gasolina	FWD	3726	226	307	11.15-12.18	*
3.7AWD		Gasolina	4WD	3726	226	307	11.15-12.18	*
3.7		Gasolina	FWD	3726	227	309	01.16-12.18	*
3.7AWD		Gasolina	4WD	3726	227	309	01.16-12.18	*
MKZ II (U.S.A.) 09.12-				Sedán (Large family car-D Segment)				
2.0		Gasolina	FWD	1999	149	203	10.14-	*
2.0		Gasolina	FWD	1999	179	243	09.12-	*
2.0		Gasolina	FWD	1999	183	249	06.16-	*
2.0 AWD		Gasolina	4WD	1999	183	249	06.16-	*
2.0		Gasolina	FWD	1999	186	253	10.14-	*
3.0		Gasolina	FWD	2956	261	355	06.16-	*
3.0 AWD		Gasolina	4WD	2956	261	355	06.16-	*
3.0		Gasolina	FWD	2956	298	405	06.16-	*
3.0 AWD		Gasolina	4WD	2956	298	405	06.16-	*
3.7		Gasolina	FWD	3726	224	305	09.12-	*
2.0 Hybrid		Gasol./el éc.	FWD	1999	140	190	09.12-	*
NAUTILUS / MKX II 01.19-				SUV (Compact SUV-J Segment)				
T		Gasolina	FWD	1999	165	224	02.19-	*
T AWD		Gasolina	4WD	1999	165	224	02.19-	*
T		Gasolina	FWD	1999	173	235	02.19-	*
T AWD		Gasolina	4WD	1999	173	235	02.19-	*
2.0		Gasolina	FWD	1999	180	245	01.19-	*
T		Gasolina	FWD	1999	186	253	02.19-	*
T AWD		Gasolina	4WD	1999	186	253	02.19-	*
T AWD		Gasolina	4WD	2694	237	322	02.19-	*
T AWD		Gasolina	4WD	2694	242	329	02.19-	*
T		Gasolina	FWD	2694	250	340	02.19-	*
T AWD		Gasolina	4WD	2694	250	340	02.19-	*
VW								
SAVEIRO V (5U8, 5U9) 09.09-				Pick-up (Pick-Up Truck)				
1.6		Gasolina	FWD				09.10-	*
1.6		Gasolina	FWD	1598	74	101	09.09-	*
1.6 TotalFlex		Gasolina	FWD	1598	74	101	09.09-	*
1.6 Flex		Gasolina	FWD	1598	77	105	09.09-	*
1.6		Gasolina	FWD	1598	82	112	09.15-	*
WEY								
P8 04.18-				SUV ()				
2.0 PHEV (GW4C20A)		Gasol./el éc.	4WD	1967	172	234	04.18-	*
VV7 04.17-				SUV ()				
2.0 (E20CB,GW4C20B)		Gasolina	FWD	1967	167	227	05.19-	*
2.0 (GW4C20A)		Gasolina	FWD	1967	172	234	04.17-	*
PHEV A las 4 ruedas (E20CB)		Gasol./el éc.	4WD	1967	167	227	11.19-	*
VV7 GT 09.19-				SUV ()				
2.0 (E20CB)		Gasolina	FWD	1967	167	227	09.19-	*

LISTA DE APLICACIONES - BUYERS GUIDE

PHEV A las 4 ruedas (E20CB)		Gasol./el éc.	4WD	1967	167	227	11.19-
-----------------------------	--	------------------	-----	------	-----	-----	--------

*