

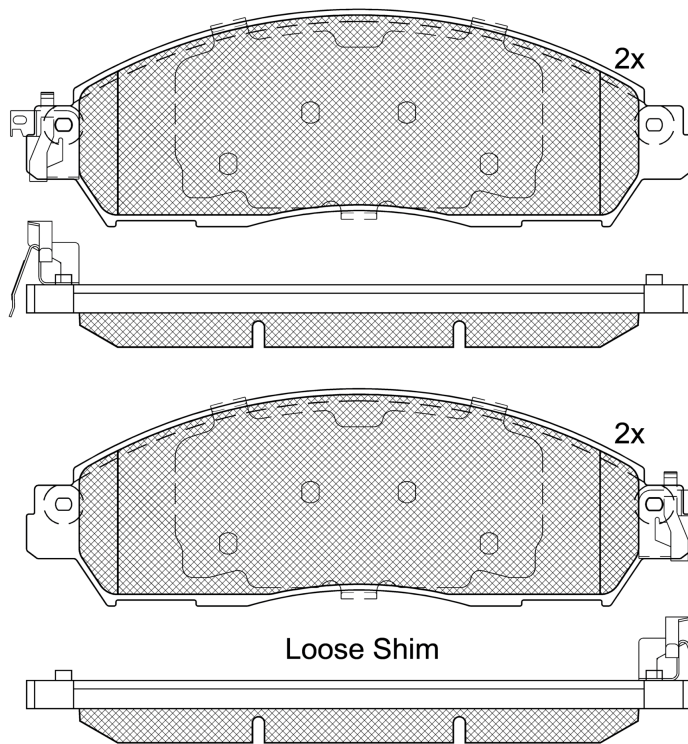
LISTA DE APLICACIONES - BUYERS GUIDE

RB2249-203



Qty: 300 Weight: 1.995

O.E.M.	MAKE
822-1081-1	-
AY040-NS178	NISSAN
D1060-3LM1C	NISSAN
D1060-5TA0A	NISSAN
D1060-5TA0B	NISSAN



RB2249-203

E 9 90R-02A0111/4416



Akebono

165.6x54.1x16.1

WVA	FMSI
22439	D2138-9375
22440	

Sin Filas



Trac.	CC	Kw	CV		
					Front / Rear

NISSAN

LEAF II (ZE1) 08.17-						[CAMBIADO]:Fastback (Executive car-E Segment)			
Electric (EM57)		Eléctrico	FWD			110	150	08.17-	*
Electric (EM57)		Eléctrico	FWD			160	218	01.19-	*
NV200 02.10-						[CAMBIADO]:Furgón (LCVs-M1 Segment)			
e-NV (ME0N) (EM57)		Eléctrico	FWD			80	109	05.14-	*
NV200 EVALIA 07.10-						Bus (Minibus-M2-Segment)			
e-NV (ME0M) (EM57)		Eléctrico	FWD			80	109	07.14-	*
SERENA V (C27) 08.16-						MPV (Large MPV-M1 Segment)			
2.0		Gasolina	FWD	1997		110	150	08.16-	*
2.0		Gasolina	FWD	1997		110	150	08.16-	*
1.2 e-Power (HR12DE)		Gasol./el éc.	FWD	1197		62	84	03.18-	*
1.2 Combined e-Power (HR12DE)		Gasol./el éc.	FWD	1198		100	136	03.18-	*
2.0 S-Hybrid		Gasol./el éc.	4WD	1997		110	150	08.16-	*
2.0 S-Hybrid (C27L) (MR20DD)		Gasol./el éc.	FWD	1997		110	150	08.16-	*

NISSAN (DFAC)

SYLPHY III (B17) 07.12-03.16						Sedán ()			
Zero Emission		Eléctrico	FWD			80	109	09.18-	*

SUZUKI

LANDY II (SC27) 12.16-						MPV (Large MPV-M1 Segment)			
2.0 (MR20)		Gasolina	FWD	1997		110	150	12.16-	*

LISTA DE APLICACIONES - BUYERS GUIDE

2.0 (MR20)		Gasol./el éc.	FWD	1997	110	150	12.16-	*
2.0 Hybrid 4WD (MR20)		Gasol./el éc.	4WD	1997	110	150	12.16-	*