

# LISTA DE APLICACIONES - BUYERS GUIDE

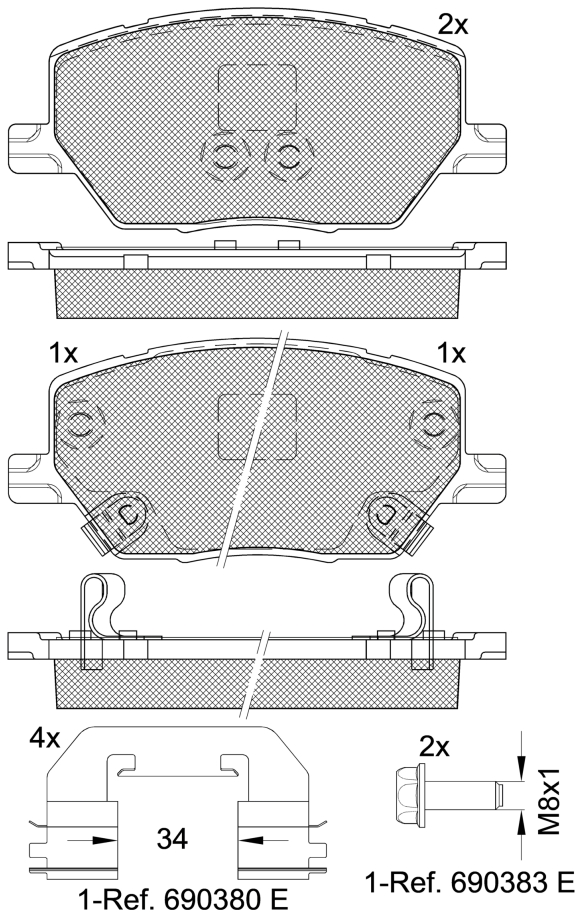
## RB2243



Qty: 300

Weight: 2.160

O.E.M.	MAKE
00K2AMV3886AB	JEEP
2AMV3886AA	JEEP
5 209 417 4	JEEP
68273005AA	JEEP
68299399AA	JEEP
68346917AA	JEEP
68346917AB	JEEP
68368829AA	JEEP
68379582AB	JEEP
68404783AA	JEEP
7 736 721 4	JEEP
7 736 728 2	FIAT
7 736 793 6	JEEP
7 736 821 1	JEEP
7 736 834 4	FIAT
7 736 857 7	JEEP
7 736 877 8	JEEP
K2AMV3886AA	JEEP
K2AMV3886AB	JEEP
K68346917AA	JEEP
K68346917AB	JEEP
K68346986AA	JEEP
K68346986AB	JEEP
K68379582AA	JEEP
K68379582AB	JEEP



## RB2243

**E 9 90R-02A0111/4273**



Mando

140.8x63.5x20.1

WVA	FMSI
22165	D1811-9046
22166	
22167	
77369311	

Sin Filas



Trac.	CC	Kw	CV	Front / Rear
-------	----	----	----	--------------

### ALFA ROMEO

TONALE (965_) 03.22-					SUV (Subcompact SUV-B Segment)			
1.5 Mild Hybrid (46347812)		Gasol./el éc.	FWD	1469	96	131	03.22-	*
1.5 Mild Hybrid (46347696)		Gasol./el éc.	FWD	1469	118	160	03.22-	*
1.6 VGT-D		Diesel	FWD	1598	96	131	09.22-	*

### FIAT

500X (334_) 09.14-					SUV (Compact SUV-J Segment)			
1.0 (334.AXN1B) (552 82 151)		Gasolina	FWD	999	84	114	06.18-	*
1.0 (334.AXN1B) (552 82 151)		Gasolina	FWD	999	88	120	09.18-	*
1.3 (334.AXR11) (552 82 328)		Gasolina	FWD	1332	110	150	09.18-	*
1.3 (334AX) (552 82 328,EYF)		Gasolina	4WD	1332	132	179	09.18-	*
1.4 (334AXC1B) (552 63 624)		Gasolina	FWD	1368	100	136	09.14-	*
1.4 (334AXC1B, 334AXC11) (552 63 624)		Gasolina	FWD	1368	103	140	09.14-	*
1.4		Gasolina	FWD	1368	120	163	05.15-	*
1.4 4x4 (334AXF22) (552 63 623)		Gasolina	4WD	1368	120	163	02.15-09.18	*
1.4 4x4 (334AXF22) (552 63 623)		Gasolina	4WD	1368	125	170	02.15-	*
1.6 (334AXE1A) (552 63 842)		Gasolina	FWD	1598	81	110	11.14-09.20	*
1.6		Gasolina	FWD	1598	82	112	09.14-	*
2.4		Gasolina	FWD	2360	134	182	05.15-	*
2.4 (334AX)		Gasolina	FWD	2360	134	182	05.15-12.18	*
2.4 4x4 (334AX) (ED6)		Gasolina	4WD	2360	135	184	05.15-	*
2.4 (334AX) (ED6)		Gasolina	FWD	2360	138	188	01.16-	*
1.4 LPG (334AXL1B) (552 77 701)		Gasol./G as (LPG)	FWD	1368	88	120	03.17-09.18	*

# LISTA DE APLICACIONES - BUYERS GUIDE

1.5 T4 Hybrid		Gasol./el éc.	FWD	1469	96	131	03.22-	*
1.3 D Multijet (334AXH1A) (552 66 963)		Diesel	FWD	1248	70	95	11.14-	*
1.3 D Multijet (334AXH1A) (552 83 775)		Diesel	FWD	1248	70	95	11.14-	*
1.6 D Multijet (334AXA1B, 334AXA11) (552 60 384)		Diesel	FWD	1598	84	114	09.14-	*
1.6 D Multijet (334AXA1B, 334AXA11) (552 80 444)		Diesel	FWD	1598	84	114	09.14-	*
1.6 D Multijet (334AXA1B, 334AXA11) (552 60 384)		Diesel	FWD	1598	88	120	09.14-	*
1.6 D Multijet (334AXA1B, 334AXA11) (552 80 444)		Diesel	FWD	1598	88	120	09.14-	*
2.0 D Multijet 4x4 (334AXB22, 334AXD2B) (552 63 087)		Diesel	4WD	1956	100	136	09.14-09.18	*
2.0 D Multijet 4x4 (334AXB22, 334AXD2B) (552 63 088)		Diesel	4WD	1956	100	136	09.14-09.18	*
2.0 D Multijet 4x4 (334AXB22, 334AXD2B) (552 83 099)		Diesel	4WD	1956	100	136	09.14-09.18	*
2.0 D Multijet 4x4 (334AXB22, 334AXD2B) (552 63 087)		Diesel	4WD	1956	103	140	09.14-09.18	*
2.0 D Multijet 4x4 (334AXB22, 334AXD2B) (552 63 088)		Diesel	4WD	1956	103	140	09.14-09.18	*
2.0 D Multijet 4x4 (334AXB22, 334AXD2B) (552 63 088)		Diesel	4WD	1956	110	150	09.18-09.20	*
<b>TORO (226_) 01.16-</b>				<b>Pick-up (Mini SUV-J Segment)</b>				
1.8 Freedom, Opening Edition (226.117)		Gasolina	FWD	1747	102	139	01.16-	*
2.4 Blackjack Flex		Gasolina	FWD	2360	137	186	01.16-	*
2.0 D (226.115)		Diesel	FWD	1956	125	170	01.16-	*
2.0 D (226.115)		Diesel	4WD	1956	125	170	01.16-	*
<b>JEEP</b>								
<b>COMPASS II (MP, M6, MV, M7) 01.16-</b>				<b>SUV (Compact SUV-J Segment)</b>				
1.3		Gasolina	FWD	1332	96	131	08.20-	*
1.3		Gasolina	FWD	1332	110	150	08.20-	*
1.4 Multiair (552 63 624)		Gasolina	FWD	1368	103	140	03.17-	*
1.4 Multiair (EAQ)		Gasolina	FWD	1368	103	140	03.17-	*
1.4 Multiair		Gasolina	FWD	1368	120	163	03.17-	*
1.4 MultiAir 4x4 (552 63 623)		Gasolina	4WD	1368	125	170	03.17-	*
1.4 MultiAir 4x4 (EAQ)		Gasolina	4WD	1368	125	170	03.17-	*
2.4 MultiAir (ED6)		Gasolina	FWD	2360	129	175	09.17-	*
2.4 MultiAir (EDD)		Gasolina	FWD	2360	129	175	09.17-	*
2.4 MultiAir 4x4 (ED6)		Gasolina	4WD	2360	129	175	09.17-	*
2.4 MultiAir 4x4 (EDD)		Gasolina	4WD	2360	129	175	09.17-	*
2.4		Gasolina	FWD	2360	134	182	09.16-	*
2.4 4x4 (ED6)		Gasolina	4WD	2360	134	182	09.16-	*
2.4 4x4 (EDD)		Gasolina	4WD	2360	134	182	09.16-	*
2.0 Flex		Gasol./Et anol	FWD	1995	122	166	01.16-04.21	*
2.0 Flex 4x4		Gasol./Et anol	4WD	1995	122	166	09.17-12.18	*
1.3 Hybrid 4x4		Gasol./el éc.	4WD	1332	132	179	04.20-	*
1.3 Hybrid 4x4		Gasol./el éc.	4WD	1332	140	190	04.21-	*
1.3 Hybrid 4x4		Gasol./el éc.	4WD	1332	177	240	04.20-	*
1.5 T4 Hybrid		Gasol./el éc.	FWD	1469	96	131	03.22-	*
1.6 CRD (552 60 384)		Diesel	FWD	1598	88	120	03.17-	*
1.6 CRD (EJJ)		Diesel	FWD	1598	88	120	03.17-	*
1.6 MultiJet		Diesel	FWD	1598	96	130	04.21-	*
2.0 CRD 4x4 (552 63 087)		Diesel	4WD	1956	103	140	03.17-	*
2.0 CRD 4x4 (EBS)		Diesel	4WD	1956	103	140	03.17-	*

# LISTA DE APLICACIONES - BUYERS GUIDE

2.0 CRD 4x4 (EBT)		Diesel	4WD	1956	103	140	03.17-	*
2.0 CRD 4x4 (552 63 088)		Diesel	4WD	1956	125	170	12.16-	*
2.0 CRD 4x4 (EBS)		Diesel	4WD	1956	125	170	12.16-	*
2.0 Multijet II		Diesel	FWD	1956	127	173	10.18-	*
2.0 Multijet II 4x4 (552 63 088)		Diesel	4WD	1956	127	173	03.17-	*
2.0 Multijet II 4x4 (EBS)		Diesel	4WD	1956	127	173	03.17-	*
2.0 Multijet II 4x4 (EBT)		Diesel	4WD	1956	127	173	03.17-	*
<b>RENEGADE (BU, B1, BV) 07.14-</b>					<b>SUV (Compact SUV-J Segment)</b>			
1.0 T-GDI (552 82 151)		Gasolina	FWD	999	88	120	08.18-	*
1.3 T-GDi (552 82 328)		Gasolina	FWD	1332	110	150	08.18-	*
1.3 T-GDi (EYF)		Gasolina	FWD	1332	132	180	08.18-	*
1.3 T-GDi 4x4 (552 82 328)		Gasolina	4WD	1332	132	180	08.18-	*
1.3 T-GDi 4x4 (EYF)		Gasolina	4WD	1332	132	180	08.18-	*
1.4 (552 63 624)		Gasolina	FWD	1368	100	136	01.16-	*
1.4 (552 63 624)		Gasolina	FWD	1368	103	140	07.14-12.18	*
1.4 (EAM)		Gasolina	FWD	1368	103	140	07.14-12.18	*
1.4		Gasolina	FWD	1368	119	162	07.14-	*
1.4		Gasolina	FWD	1368	119	162	07.14-	*
1.4 4x4 (552 63 623)		Gasolina	4WD	1368	125	170	07.14-12.18	*
1.4 4x4 (EAM)		Gasolina	4WD	1368	125	170	07.14-12.18	*
1.6 (552 63 842)		Gasolina	FWD	1598	81	110	07.14-09.18	*
1.6 (EJH)		Gasolina	FWD	1598	81	110	07.14-09.18	*
1.8 16V Flex		Gasolina	FWD	1747	97	132	04.15-	*
1.8 16V Flex		Gasolina	FWD	1747	97	132	04.15-	*
2.4		Gasolina	FWD	2360	129	175	09.15-	*
2.4		Gasolina	FWD	2360	129	175	09.15-	*
2.4 (500 52 375)		Gasolina	FWD	2360	132	179	09.15-	*
2.4 (ED6)		Gasolina	FWD	2360	132	179	09.15-	*
2.4 4x4 (500 52 375)		Gasolina	4WD	2360	132	179	09.15-	*
2.4 4x4 (ED6)		Gasolina	4WD	2360	132	179	09.15-	*
2.4		Gasolina	FWD	2360	134	182	06.16-	*
2.4 4x4 (ED6)		Gasolina	4WD	2360	134	182	09.14-12.17	*
2.4		Gasolina	FWD	2360	137	186	07.14-12.16	*
2.4		Gasolina	FWD	2360	137	186	07.14-	*
1.4 LPG		Gasol./Gas (LPG)	FWD	1368	88	120	01.16-	*
1.3 PHEV 4Xe		Gasol./eléc.	4WD	1332	96	130	08.20-	*
1.3 PHEV 4Xe		Gasol./eléc.	4WD	1332	133	180	08.20-	*
1.3 PHEV 4Xe		Gasol./eléc.	4WD	1332	140	190	08.20-	*
1.3 PHEV 4Xe		Gasol./eléc.	4WD	1332	177	240	08.20-	*
1.5 T4 Hybrid		Gasol./eléc.	FWD	1469	96	131	03.22-	*
1.6 CRD (552 60 384)		Diesel	FWD	1598	70	95	11.16-	*
1.6 CRD (EJJ)		Diesel	FWD	1598	70	95	11.16-	*
1.6 CRD (552 63 113)		Diesel	FWD	1598	88	120	07.14-	*
1.6 CRD (552 80 444)		Diesel	FWD	1598	88	120	07.14-	*
1.6 CRD (EJK)		Diesel	FWD	1598	88	120	07.14-	*
2.0 CRD 4x4 (552 63 087)		Diesel	4WD	1956	88	120	07.14-	*
2.0 CRD 4x4 (EBT)		Diesel	4WD	1956	88	120	07.14-	*
2.0 CRD 4x4 (552 63 087)		Diesel	4WD	1956	103	140	07.14-	*

# LISTA DE APLICACIONES - BUYERS GUIDE

2.0 CRD 4x4 (552 63 088)		Diesel	4WD	1956	103	140	07.14-	*	
2.0 CRD 4x4 (552 83 099)		Diesel	4WD	1956	103	140	07.14-	*	
2.0 CRD 4x4 (552 84 064)		Diesel	4WD	1956	103	140	07.14-	*	
2.0 CRD 4x4 (EBT)		Diesel	4WD	1956	103	140	07.14-	*	
2.0 CRD 4x4 (552 63 088)		Diesel	4WD	1956	125	170	07.14-	*	
2.0 CRD 4x4 (552 83 099)		Diesel	4WD	1956	125	170	07.14-	*	
2.0 CRD 4x4 (EBT)		Diesel	4WD	1956	125	170	07.14-	*	
2.0 CRD 4x4 (552 63 088,EBT)		Diesel	4WD	1956	126	172	04.15-	*	
<b>RENEGADE VAN (BU, B1) 07.14-</b>					<b>Furgoneta/SUV (Compact SUV-J Segment)</b>				
1.4		Gasolina	FWD	1368	103	140	07.14-	*	
1.4 4x4		Gasolina	4WD	1368	125	170	07.14-	*	
1.6 E-torQ		Gasolina	FWD	1598	81	110	07.14-09.18	*	
1.6 MultiJet		Diesel	FWD	1598	88	120	07.14-	*	
2.0 MultiJet 4x4		Diesel	4WD	1956	103	140	07.14-	*	
2.0 MultiJet 4x4		Diesel	4WD	1956	125	170	07.14-	*	
<b>JEEP (GAC FCA)</b>									
<b>COMPASS II (MP, M6) 06.16-</b>					<b>Closed SUV (Compact SUV-J Segment)</b>				
200T		Gasolina	FWD	1332	127	173	04.19-	*	
220T 4x4		Gasolina	FWD	1332	127	173	04.19-	*	
1.4		Gasolina	FWD	1368	121	165	12.16-	*	
1.4 4x4		Gasolina	FWD	1368	121	165	11.17-	*	
200TS		Gasolina	FWD	1995	109	148	04.19-	*	
2.4 4x4		Gasolina	FWD	2360	129	175	06.19-	*	
<b>RENEGADE (BU) 05.16-</b>					<b>SUV (Compact SUV-J Segment)</b>				
220T (463 38 779)		Gasolina	FWD	1332	127	173	09.19-	*	
220T 4x4 (463 38 779)		Gasolina	4WD	1332	127	173	09.19-	*	
1.4 T (523A0027)		Gasolina	FWD	1368	110	150	05.16-	*	
2.0 (M095)		Gasolina	FWD	1995	109	148	10.18-	*	
2.0 D-VVT 4x4 (M095)		Gasolina	4WD	1995	114	155	09.16-	*	
<b>NISSAN</b>									
<b>VANETTE II / NOMAD (C22) 10.86-06.13</b>					<b>Bus (Minibus-M2-Segment)</b>				
1.5 (A15S)		Gasolina	RWD	1488	60	82	07.95-06.13	*	