

LISTA DE APLICACIONES - BUYERS GUIDE

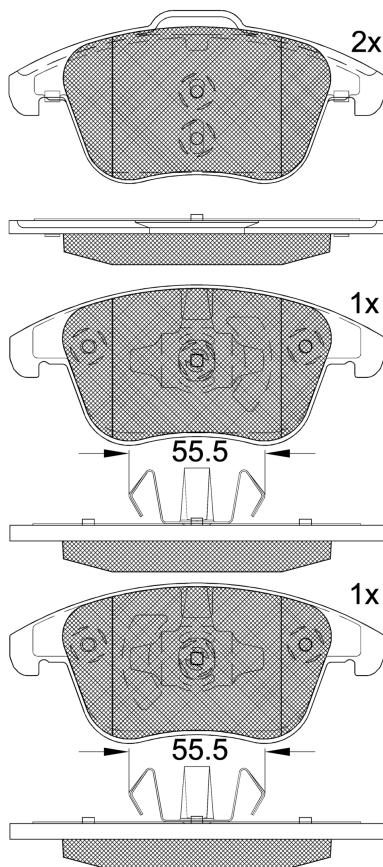
RB2231-203



Qty: 300

Weight: 2.205

O.E.M.	MAKE
2 110 592	FORD
MEDG9J-2K021-EE	FORD



RB2231-203

E 9 90R-02A0111/5130



Ate - Teves

155.2x66.5x20

155.9x71.7x20

WVA
24705
25592
25593

Sin Filas



Trac.	CC	Kw	CV
-------	----	----	----



Front / Rear

FORD

MONDEO V (CE) 09.14-

[CAMBIADO]:Fastback (Large family car-D Segment)

Model	Engine	Trac.	CC	Kw	CV	Period	Notes
1.0 EcoBoost (M1CA)	Gasolina	FWD	998	92	125	02.15-03.22	*
1.0 EcoBoost (M1CB)	Gasolina	FWD	998	92	125	02.15-03.22	*
1.5 EcoBoost (UNCA)	Gasolina	FWD	1499	118	160	09.14-03.22	*
1.5 EcoBoost (UNCB)	Gasolina	FWD	1499	118	160	09.14-03.22	*
1.5 EcoBoost (UNCE)	Gasolina	FWD	1499	118	160	09.14-03.22	*
1.5 EcoBoost (UNCF)	Gasolina	FWD	1499	118	160	09.14-03.22	*
1.5 EcoBoost (UNCN)	Gasolina	FWD	1499	121	165	05.18-03.22	*
2.0 EcoBoost (TNCD)	Gasolina	FWD	1999	149	203	09.14-03.22	*
2.0 EcoBoost (TNCF)	Gasolina	FWD	1999	149	203	09.14-03.22	*
2.0 EcoBoost (R9CB)	Gasolina	FWD	1999	176	240	09.14-03.22	*
2.0 EcoBoost (R9CF)	Gasolina	FWD	1999	176	240	09.14-03.22	*
2.0 EcoBoost (R9CH)	Gasolina	FWD	1999	176	240	09.14-03.22	*
1.5 TDCi (UGCC)	Diesel	FWD	1499	88	120	03.15-03.22	*
1.5 TDCi (XUCA)	Diesel	FWD	1499	88	120	03.15-03.22	*
1.6 TDCi (NGCA)	Diesel	FWD	1560	85	115	09.14-03.22	*
1.6 TDCi (U3CA)	Diesel	FWD	1560	85	115	09.14-03.22	*
2.0 EcoBlue (BCCD)	Diesel	FWD	1995	88	120	01.19-03.22	*
2.0 EcoBlue (YLCC)	Diesel	FWD	1995	110	150	01.19-03.22	*
2.0 EcoBlue (YMCC)	Diesel	FWD	1995	140	190	01.19-03.22	*
2.0 EcoBlue 4x4 (YMCC)	Diesel	4WD	1995	140	190	01.19-03.22	*
2.0 TDCi (T7CA)	Diesel	FWD	1998	110	150	09.14-03.22	*
2.0 TDCi (T7CC)	Diesel	FWD	1998	110	150	09.14-03.22	*
2.0 TDCi (T7CD)	Diesel	FWD	1998	110	150	09.14-03.22	*

LISTA DE APLICACIONES - BUYERS GUIDE

2.0 TDCi (T7CE)		Diesel	FWD	1998	110	150	09.14-03.22	*
2.0 TDCi (T7CF)		Diesel	FWD	1998	110	150	09.14-03.22	*
2.0 TDCi (T7CN)		Diesel	FWD	1998	110	150	09.14-03.22	*
2.0 TDCi (T7CP)		Diesel	FWD	1998	110	150	09.14-03.22	*
2.0 TDCi (T7CQ)		Diesel	FWD	1998	110	150	09.14-03.22	*
2.0 TDCi 4x4 (T7CA)		Diesel	4WD	1998	110	150	02.15-03.22	*
2.0 TDCi 4x4 (T7CC)		Diesel	4WD	1998	110	150	02.15-03.22	*
2.0 TDCi 4x4 (T7CD)		Diesel	4WD	1998	110	150	02.15-03.22	*
2.0 TDCi 4x4 (T7CE)		Diesel	4WD	1998	110	150	02.15-03.22	*
2.0 TDCi 4x4 (T7CF)		Diesel	4WD	1998	110	150	02.15-03.22	*
2.0 TDCi 4x4 (T7CN)		Diesel	4WD	1998	110	150	02.15-03.22	*
2.0 TDCi 4x4 (T7CP)		Diesel	4WD	1998	110	150	02.15-03.22	*
2.0 TDCi 4x4 (T7CQ)		Diesel	4WD	1998	110	150	02.15-03.22	*
2.0 TDCi (T8CA)		Diesel	FWD	1998	132	180	09.14-03.22	*
2.0 TDCi (T8CC)		Diesel	FWD	1998	132	180	09.14-03.22	*
2.0 TDCi (T8CD)		Diesel	FWD	1998	132	180	09.14-03.22	*
2.0 TDCi (T8CL)		Diesel	FWD	1998	132	180	09.14-03.22	*
2.0 TDCi 4x4 (T8CA)		Diesel	4WD	1998	132	180	02.15-03.22	*
2.0 TDCi 4x4 (T8CB)		Diesel	4WD	1998	132	180	02.15-03.22	*
2.0 TDCi 4x4 (T8CC)		Diesel	4WD	1998	132	180	02.15-03.22	*
2.0 TDCi 4x4 (T8CD)		Diesel	4WD	1998	132	180	02.15-03.22	*
2.0 TDCi 4x4 (T8CL)		Diesel	4WD	1998	132	180	02.15-03.22	*
2.0 TDCi Bi-Turbo (T9CA)		Diesel	FWD	1998	154	210	03.15-03.22	*
MONDEO V (CD) 09.12-								
							Sedán (Large family car-D Segment)	
1.0 EcoBoost (M1CA)		Gasolina	FWD	998	92	125	02.15-03.22	*
1.0 EcoBoost (M1CB)		Gasolina	FWD	998	92	125	02.15-03.22	*
1.5 EcoBoost (UNCA)		Gasolina	FWD	1499	118	160	09.14-03.22	*
1.5 EcoBoost (UNCB)		Gasolina	FWD	1499	118	160	09.14-03.22	*
1.5 EcoBoost (UNCE)		Gasolina	FWD	1499	118	160	09.14-03.22	*
1.5 EcoBoost (UNCF)		Gasolina	FWD	1499	118	160	09.14-03.22	*
1.5 EcoBoost (UNCN)		Gasolina	FWD	1499	121	165	01.19-03.22	*
1.5		Gasolina	FWD	1499	133	181	09.13-03.22	*
1.5		Gasolina	FWD	1499	135	184	08.16-03.22	*
1.6		Gasolina	FWD	1596	133	181	09.12-03.22	*
2.0 EcoBoost (TNCC)		Gasolina	FWD	1999	146	199	05.15-03.22	*
2.0 EcoBoost (TNCD)		Gasolina	FWD	1999	149	203	05.15-03.22	*
2.0 EcoBoost (TNCF)		Gasolina	FWD	1999	149	203	05.15-03.22	*
2.0 EcoBoost (R9CB)		Gasolina	FWD	1999	176	240	05.15-03.22	*
2.0 EcoBoost (R9CF)		Gasolina	FWD	1999	176	240	05.15-03.22	*
2.0 EcoBoost (R9CH)		Gasolina	FWD	1999	176	240	05.15-03.22	*
2.0 EcoBoost 4x4 (R9CB,R9CF,R9CH)		Gasolina	4WD	1999	176	240	01.13-12.15	*
2.0 EcoBoost		Gasolina	FWD	1999	179	243	09.12-07.16	*
2.0 EcoBoost 4x4		Gasolina	4WD	1999	179	243	09.12-07.16	*
2.0		Gasolina	FWD	1999	183	249	08.16-03.22	*
2.0 EcoBoost 4x4		Gasolina	4WD	1999	183	249	01.16-12.21	*
2.5 Hybrid		Gasolina	FWD	2488	116	158	09.13-	*
2.5		Gasolina	FWD	2488	125	170	05.15-03.22	*
2.5		Gasolina	FWD	2488	126	171	12.16-03.22	*
2.5		Gasolina	FWD	2488	127	173	09.12-03.22	*
2.5		Gasolina	FWD	2488	130	177	09.13-	*
2.5 4x4		Gasolina	4WD	2488	130	177	09.12-03.22	*

LISTA DE APLICACIONES - BUYERS GUIDE

2.5 (S7CB)		Gasolina	FWD	2489	110	149	05.15-03.22	*	
2.7 EcoBoost		Gasolina	FWD	2694	242	329	09.16-03.22	*	
2.7 EcoBoost 4x4		Gasolina	4WD	2694	242	329	07.17-03.22	*	
2.5 Flex		Gasol./Etanol	FWD	2489	129	175	02.13-12.18	*	
2.0 Hybrid (UACA)		Gasol./eléc.	FWD	1999	103	140	10.14-	*	
2.0 Hybrid		Gasol./eléc.	FWD	1999	130	177	09.14-03.22	*	
2.0 Hybrid		Gasol./eléc.	FWD	1999	138	188	01.19-03.22	*	
2.0 Hybrid		Gasol./eléc.	FWD	1999	140	190	09.14-03.22	*	
2.0 Hybrid		Gasol./eléc.	FWD	1999	140	190	08.14-03.22	*	
1.5 TDCi (UGCC)		Diesel	FWD	1499	88	120	03.15-03.22	*	
1.5 TDCi (XUCA)		Diesel	FWD	1499	88	120	03.15-03.22	*	
2.0 EcoBlue (BCCD)		Diesel	FWD	1995	88	120	01.19-03.22	*	
2.0 EcoBlue (YLCC)		Diesel	FWD	1995	110	150	01.19-03.22	*	
2.0 EcoBlue (YMCC)		Diesel	FWD	1995	140	190	01.19-03.22	*	
2.0 EcoBlue 4x4 (YMCC)		Diesel	4WD	1995	140	190	01.19-03.22	*	
2.0 TDCi (T7CA)		Diesel	FWD	1998	110	150	09.14-03.22	*	
2.0 TDCi (T7CC)		Diesel	FWD	1998	110	150	09.14-03.22	*	
2.0 TDCi (T7CD)		Diesel	FWD	1998	110	150	09.14-03.22	*	
2.0 TDCi (T7CE)		Diesel	FWD	1998	110	150	09.14-03.22	*	
2.0 TDCi (T7CF)		Diesel	FWD	1998	110	150	09.14-03.22	*	
2.0 TDCi (T7CN)		Diesel	FWD	1998	110	150	09.14-03.22	*	
2.0 TDCi (T7CP)		Diesel	FWD	1998	110	150	09.14-03.22	*	
2.0 TDCi (T7CQ)		Diesel	FWD	1998	110	150	09.14-03.22	*	
2.0 TDCi 4x4 (T7CA)		Diesel	4WD	1998	110	150	09.14-03.22	*	
2.0 TDCi 4x4 (T7CC)		Diesel	4WD	1998	110	150	09.14-03.22	*	
2.0 TDCi 4x4 (T7CD)		Diesel	4WD	1998	110	150	09.14-03.22	*	
2.0 TDCi 4x4 (T7CE)		Diesel	4WD	1998	110	150	09.14-03.22	*	
2.0 TDCi 4x4 (T7CF)		Diesel	4WD	1998	110	150	09.14-03.22	*	
2.0 TDCi 4x4 (T7CN)		Diesel	4WD	1998	110	150	09.14-03.22	*	
2.0 TDCi 4x4 (T7CP)		Diesel	4WD	1998	110	150	09.14-03.22	*	
2.0 TDCi 4x4 (T7CQ)		Diesel	4WD	1998	110	150	09.14-03.22	*	
2.0 TDCi (T8CA)		Diesel	FWD	1998	132	180	05.15-03.22	*	
2.0 TDCi (T8CC)		Diesel	FWD	1998	132	180	05.15-03.22	*	
2.0 TDCi (T8CD)		Diesel	FWD	1998	132	180	05.15-03.22	*	
2.0 TDCi (T8CL)		Diesel	FWD	1998	132	180	05.15-03.22	*	
2.0 TDCi 4x4 (T8CA)		Diesel	4WD	1998	132	180	05.15-03.22	*	
2.0 TDCi 4x4 (T8CC)		Diesel	4WD	1998	132	180	05.15-03.22	*	
2.0 TDCi 4x4 (T8CD)		Diesel	4WD	1998	132	180	05.15-03.22	*	
2.0 TDCi 4x4 (T8CL)		Diesel	4WD	1998	132	180	05.15-03.22	*	
2.0 TDCi Bi-Turbo (T9CA)		Diesel	FWD	1998	154	210	05.15-03.22	*	
MONDEO V Turnier (CF) 09.14-						[CAMBIADO]:Break (Large family car-D Segment)			
1.0 EcoBoost (M1CA)		Gasolina	FWD	998	92	125	02.15-03.22	*	
1.0 EcoBoost (M1CB)		Gasolina	FWD	998	92	125	02.15-03.22	*	
1.5 EcoBoost (UNCA)		Gasolina	FWD	1499	118	160	09.14-03.22	*	
1.5 EcoBoost (UNCB)		Gasolina	FWD	1499	118	160	09.14-03.22	*	
1.5 EcoBoost (UNCE)		Gasolina	FWD	1499	118	160	09.14-03.22	*	
1.5 EcoBoost (UNCF)		Gasolina	FWD	1499	118	160	09.14-03.22	*	
1.5 EcoBoost (UNCN)		Gasolina	FWD	1499	121	165	05.18-03.22	*	

LISTA DE APLICACIONES - BUYERS GUIDE

2.0 EcoBoost (TNCB)		Gasolina	FWD	1999	149	203	09.14-03.22	*
2.0 EcoBoost (TNCD)		Gasolina	FWD	1999	149	203	09.14-03.22	*
2.0 EcoBoost (TNCF)		Gasolina	FWD	1999	149	203	09.14-03.22	*
2.0 EcoBoost (R9CB)		Gasolina	FWD	1999	176	240	09.14-03.22	*
2.0 EcoBoost (R9CF)		Gasolina	FWD	1999	176	240	09.14-03.22	*
2.0 EcoBoost (R9CH)		Gasolina	FWD	1999	176	240	09.14-03.22	*
2.0 Hybrid (UACA)		Gasol./el éc.	FWD	1999	103	140	02.19-	*
2.0 Hybrid iVCT		Gasol./el éc.	FWD	1999	138	188	01.19-03.22	*
1.5 TDCi (UGCC)		Diesel	FWD	1499	88	120	03.15-03.22	*
1.5 TDCi (XUCA)		Diesel	FWD	1499	88	120	03.15-03.22	*
1.6 TDCi (NGCA)		Diesel	FWD	1560	85	115	09.14-03.22	*
1.6 TDCi (U3CA)		Diesel	FWD	1560	85	115	09.14-03.22	*
2.0 EcoBlue (BCCD)		Diesel	FWD	1995	88	120	01.19-03.22	*
2.0 EcoBlue (YLCC)		Diesel	FWD	1995	110	150	01.19-03.22	*
2.0 EcoBlue (YMCC)		Diesel	FWD	1995	140	190	01.19-03.22	*
2.0 EcoBlue 4x4 (YMCC)		Diesel	4WD	1995	140	190	01.19-03.22	*
2.0 TDCi (T7CA)		Diesel	FWD	1998	110	150	09.14-03.22	*
2.0 TDCi (T7CC)		Diesel	FWD	1998	110	150	09.14-03.22	*
2.0 TDCi (T7CD)		Diesel	FWD	1998	110	150	09.14-03.22	*
2.0 TDCi (T7CE)		Diesel	FWD	1998	110	150	09.14-03.22	*
2.0 TDCi (T7CF)		Diesel	FWD	1998	110	150	09.14-03.22	*
2.0 TDCi (T7CN)		Diesel	FWD	1998	110	150	09.14-03.22	*
2.0 TDCi (T7CP)		Diesel	FWD	1998	110	150	09.14-03.22	*
2.0 TDCi (T7CQ)		Diesel	FWD	1998	110	150	09.14-03.22	*
2.0 TDCi 4x4 (T7CA)		Diesel	4WD	1998	110	150	02.15-03.22	*
2.0 TDCi 4x4 (T7CC)		Diesel	4WD	1998	110	150	02.15-03.22	*
2.0 TDCi 4x4 (T7CD)		Diesel	4WD	1998	110	150	02.15-03.22	*
2.0 TDCi 4x4 (T7CE)		Diesel	4WD	1998	110	150	02.15-03.22	*
2.0 TDCi 4x4 (T7CF)		Diesel	4WD	1998	110	150	02.15-03.22	*
2.0 TDCi 4x4 (T7CN)		Diesel	4WD	1998	110	150	02.15-03.22	*
2.0 TDCi 4x4 (T7CP)		Diesel	4WD	1998	110	150	02.15-03.22	*
2.0 TDCi 4x4 (T7CQ)		Diesel	4WD	1998	110	150	02.15-03.22	*
2.0 TDCi (T8CA)		Diesel	FWD	1998	132	180	09.14-03.22	*
2.0 TDCi (T8CB)		Diesel	FWD	1998	132	180	09.14-03.22	*
2.0 TDCi (T8CC)		Diesel	FWD	1998	132	180	09.14-03.22	*
2.0 TDCi (T8CD)		Diesel	FWD	1998	132	180	09.14-03.22	*
2.0 TDCi (T8CL)		Diesel	FWD	1998	132	180	09.14-03.22	*
2.0 TDCi 4x4 (T8CA)		Diesel	4WD	1998	132	180	02.15-03.22	*
2.0 TDCi 4x4 (T8CB)		Diesel	4WD	1998	132	180	02.15-03.22	*
2.0 TDCi 4x4 (T8CC)		Diesel	4WD	1998	132	180	02.15-03.22	*
2.0 TDCi 4x4 (T8CD)		Diesel	4WD	1998	132	180	02.15-03.22	*
2.0 TDCi 4x4 (T8CL)		Diesel	4WD	1998	132	180	02.15-03.22	*
2.0 TDCi Bi-Turbo (T9CA)		Diesel	FWD	1998	154	210	03.15-03.22	*