

# LISTA DE APLICACIONES - BUYERS GUIDE

## RB2231

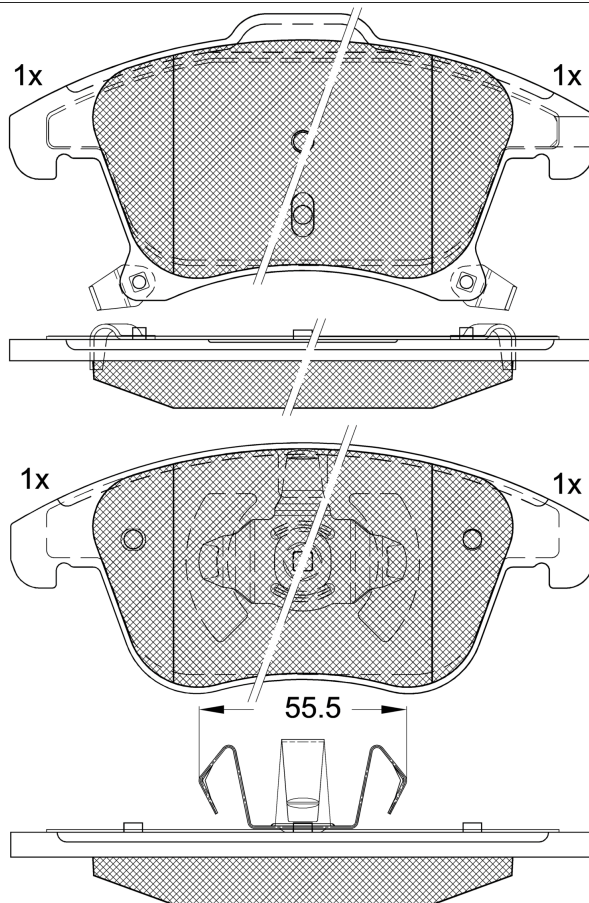


8 424073 139863

Qty: 300

Weight: 2.135

O.E.M.	MAKE
1 717 494	FORD
1 860 105	FORD
1 917 494	FORD
2 014 119	FORD
2 289 501	FORD
5 182 149	FORD
5 601 729	RENAULT
BRF-1533	FORD
BRF-33	FORD
DG9C-2001-AB	FORD
DG9C-2001-BB	LINCOLN
DG9C-2001-BF	RENAULT
DG9C-2K021-EC	FORD
DG9C-2K021-ED	FORD
DG9C-2K021-EE	FORD
DG9C-2K021-RC	FORD
DG9Z-2001-B	FORD
DG9Z-2001-G	FORD
DG9Z-2001-M	LINCOLN
HG9Z-2001-A	FORD
LG9Z-2001-A	FORD



## RB2231

E 9 90R-02A0111/1682



Ate - Teves

155.2x66.6x19.9
155.8x76.1x19.9

WVA	FMSI
22269	D1653-8882
22270	
22985	
25591	
25592	

Sin Filas



Trac.	CC	Kw	CV
-------	----	----	----



Front / Rear

### FORD

#### GALAXY III (CK) 01.15-

#### MPV (Large MPV-M1 Segment)

Model	Engine	Trac.	CC	Kw	CV	Year Range	Notes
1.5 EcoBoost (UNCJ)	Gasolina	FWD	1499	118	160	01.15-06.18	*
1.5 EcoBoost (UNCK)	Gasolina	FWD	1499	118	160	01.15-06.18	*
1.5 EcoBoost	Gasolina	FWD	1499	121	165	07.18-04.23	*
2.0 EcoBoost (R9CD)	Gasolina	FWD	1999	176	240	01.15-04.23	*
2.0 EcoBoost (R9CI)	Gasolina	FWD	1999	176	240	01.15-04.23	*
2.5 FHEV	Gasol./el éc.	FWD	2488	140	190	07.21-04.23	*
2.0 EcoBlue (YNCA)	Diesel	FWD	1995	88	120	07.18-04.23	*
2.0 EcoBlue (YMCB)	Diesel	FWD	1995	110	150	07.18-04.23	*
2.0 EcoBlue 4x4 (YMCB)	Diesel	4WD	1995	110	150	07.18-04.23	*
2.0 EcoBlue (BCCC)	Diesel	FWD	1995	140	190	07.18-04.23	*
2.0 EcoBlue 4x4 (BCCC)	Diesel	4WD	1995	140	190	07.18-04.23	*
2.0 EcoBlue BI-Turbo (YLCB)	Diesel	FWD	1995	176	240	07.18-04.23	*
2.0 TDCi (UFCA)	Diesel	FWD	1997	88	120	01.15-06.18	*
2.0 TDCi (UFCB)	Diesel	FWD	1997	88	120	01.15-06.18	*
2.0 TDCi (T7CI)	Diesel	FWD	1997	110	150	01.15-06.18	*
2.0 TDCi (T7CJ)	Diesel	FWD	1997	110	150	01.15-06.18	*
2.0 TDCi (T7CK)	Diesel	FWD	1997	110	150	01.15-06.18	*
2.0 TDCi (T7CL)	Diesel	FWD	1997	110	150	01.15-06.18	*
2.0 TDCi 4x4 (T7CI)	Diesel	4WD	1997	110	150	05.15-06.18	*
2.0 TDCi 4x4 (T7CJ)	Diesel	4WD	1997	110	150	05.15-06.18	*
2.0 TDCi 4x4 (T7CL)	Diesel	4WD	1997	110	150	05.15-06.18	*
2.0 TDCi (T8CG)	Diesel	FWD	1997	132	180	01.15-06.18	*
2.0 TDCi (T8CH)	Diesel	FWD	1997	132	180	01.15-06.18	*

# LISTA DE APLICACIONES - BUYERS GUIDE

2.0 TDCi (T8CI)		Diesel	FWD	1997	132	180	01.15-06.18	*
2.0 TDCi (T8CJ)		Diesel	FWD	1997	132	180	01.15-06.18	*
2.0 TDCi 4x4 (T8CG)		Diesel	4WD	1997	132	180	05.15-06.18	*
2.0 TDCi 4x4 (T8CH)		Diesel	4WD	1997	132	180	05.15-06.18	*
2.0 TDCi 4x4 (T8CI)		Diesel	4WD	1997	132	180	05.15-06.18	*
2.0 TDCi 4x4 (T8CJ)		Diesel	4WD	1997	132	180	05.15-06.18	*
2.0 TDCi Bi-Turbo (T9CB)		Diesel	FWD	1997	154	210	01.15-06.18	*
2.0 TDCi Bi-Turbo (T9CC)		Diesel	FWD	1997	154	210	01.15-06.18	*
<b>GALAXY III Van (CK) 03.19-</b>					<b>Furgoneta/MPV (Large MPV-M1 Segment)</b>			
2.0 EcoBlue (YMCB)		Diesel	FWD	1995	110	150	03.19-04.23	*
2.0 EcoBlue AWD (BCCC)		Diesel	4WD	1995	140	190	03.19-04.23	*
<b>MONDEO V (CE) 09.14-</b>					<b>[CAMBIADO]:Fastback (Large family car-D Segment)</b>			
1.0 EcoBoost (M1CA)		Gasolina	FWD	998	92	125	02.15-03.22	*
1.0 EcoBoost (M1CB)		Gasolina	FWD	998	92	125	02.15-03.22	*
1.5 EcoBoost (UNCA)		Gasolina	FWD	1499	118	160	09.14-03.22	*
1.5 EcoBoost (UNCB)		Gasolina	FWD	1499	118	160	09.14-03.22	*
1.5 EcoBoost (UNCE)		Gasolina	FWD	1499	118	160	09.14-03.22	*
1.5 EcoBoost (UNCF)		Gasolina	FWD	1499	118	160	09.14-03.22	*
1.5 EcoBoost (UNCN)		Gasolina	FWD	1499	121	165	05.18-03.22	*
2.0 EcoBoost (TNCD)		Gasolina	FWD	1999	149	203	09.14-03.22	*
2.0 EcoBoost (TNCF)		Gasolina	FWD	1999	149	203	09.14-03.22	*
2.0 EcoBoost (R9CB)		Gasolina	FWD	1999	176	240	09.14-03.22	*
2.0 EcoBoost (R9CF)		Gasolina	FWD	1999	176	240	09.14-03.22	*
2.0 EcoBoost (R9CH)		Gasolina	FWD	1999	176	240	09.14-03.22	*
1.5 TDCi (UGCC)		Diesel	FWD	1499	88	120	03.15-03.22	*
1.5 TDCi (XUCA)		Diesel	FWD	1499	88	120	03.15-03.22	*
1.6 TDCi (NGCA)		Diesel	FWD	1560	85	115	09.14-03.22	*
1.6 TDCi (U3CA)		Diesel	FWD	1560	85	115	09.14-03.22	*
2.0 EcoBlue (BCCD)		Diesel	FWD	1995	88	120	01.19-03.22	*
2.0 EcoBlue (YLCC)		Diesel	FWD	1995	110	150	01.19-03.22	*
2.0 EcoBlue (YMCC)		Diesel	FWD	1995	140	190	01.19-03.22	*
2.0 EcoBlue 4x4 (YMCC)		Diesel	4WD	1995	140	190	01.19-03.22	*
2.0 TDCi (T7CA)		Diesel	FWD	1998	110	150	09.14-03.22	*
2.0 TDCi (T7CC)		Diesel	FWD	1998	110	150	09.14-03.22	*
2.0 TDCi (T7CD)		Diesel	FWD	1998	110	150	09.14-03.22	*
2.0 TDCi (T7CE)		Diesel	FWD	1998	110	150	09.14-03.22	*
2.0 TDCi (T7CF)		Diesel	FWD	1998	110	150	09.14-03.22	*
2.0 TDCi (T7CN)		Diesel	FWD	1998	110	150	09.14-03.22	*
2.0 TDCi (T7CP)		Diesel	FWD	1998	110	150	09.14-03.22	*
2.0 TDCi (T7CQ)		Diesel	FWD	1998	110	150	09.14-03.22	*
2.0 TDCi 4x4 (T7CA)		Diesel	4WD	1998	110	150	02.15-03.22	*
2.0 TDCi 4x4 (T7CC)		Diesel	4WD	1998	110	150	02.15-03.22	*
2.0 TDCi 4x4 (T7CD)		Diesel	4WD	1998	110	150	02.15-03.22	*
2.0 TDCi 4x4 (T7CE)		Diesel	4WD	1998	110	150	02.15-03.22	*
2.0 TDCi 4x4 (T7CF)		Diesel	4WD	1998	110	150	02.15-03.22	*
2.0 TDCi 4x4 (T7CN)		Diesel	4WD	1998	110	150	02.15-03.22	*
2.0 TDCi 4x4 (T7CP)		Diesel	4WD	1998	110	150	02.15-03.22	*
2.0 TDCi 4x4 (T7CQ)		Diesel	4WD	1998	110	150	02.15-03.22	*
2.0 TDCi (T8CA)		Diesel	FWD	1998	132	180	09.14-03.22	*
2.0 TDCi (T8CC)		Diesel	FWD	1998	132	180	09.14-03.22	*

# LISTA DE APLICACIONES - BUYERS GUIDE

2.0 TDCi (T8CD)		Diesel	FWD	1998	132	180	09.14-03.22	*
2.0 TDCi (T8CL)		Diesel	FWD	1998	132	180	09.14-03.22	*
2.0 TDCi 4x4 (T8CA)		Diesel	4WD	1998	132	180	02.15-03.22	*
2.0 TDCi 4x4 (T8CB)		Diesel	4WD	1998	132	180	02.15-03.22	*
2.0 TDCi 4x4 (T8CC)		Diesel	4WD	1998	132	180	02.15-03.22	*
2.0 TDCi 4x4 (T8CD)		Diesel	4WD	1998	132	180	02.15-03.22	*
2.0 TDCi 4x4 (T8CL)		Diesel	4WD	1998	132	180	02.15-03.22	*
2.0 TDCi Bi-Turbo (T9CA)		Diesel	FWD	1998	154	210	03.15-03.22	*
<b>MONDEO V (CD) 09.12-</b>				<b>Sedán (Large family car-D Segment)</b>				
1.0 EcoBoost (M1CA)		Gasolina	FWD	998	92	125	02.15-03.22	*
1.0 EcoBoost (M1CB)		Gasolina	FWD	998	92	125	02.15-03.22	*
1.5 EcoBoost (UNCA)		Gasolina	FWD	1499	118	160	09.14-03.22	*
1.5 EcoBoost (UNCB)		Gasolina	FWD	1499	118	160	09.14-03.22	*
1.5 EcoBoost (UNCE)		Gasolina	FWD	1499	118	160	09.14-03.22	*
1.5 EcoBoost (UNCF)		Gasolina	FWD	1499	118	160	09.14-03.22	*
1.5 EcoBoost (UNCN)		Gasolina	FWD	1499	121	165	01.19-03.22	*
1.5		Gasolina	FWD	1499	133	181	09.13-03.22	*
1.5		Gasolina	FWD	1499	135	184	08.16-03.22	*
1.6		Gasolina	FWD	1596	133	181	09.12-03.22	*
2.0 Flex		Gasolina	FWD	1999	131	178	10.13-	*
2.0 EcoBoost (TNCC)		Gasolina	FWD	1999	146	199	05.15-03.22	*
2.0 EcoBoost (TNCD)		Gasolina	FWD	1999	149	203	05.15-03.22	*
2.0 EcoBoost (TNCF)		Gasolina	FWD	1999	149	203	05.15-03.22	*
2.0 EcoBoost (R9CB)		Gasolina	FWD	1999	176	240	05.15-03.22	*
2.0 EcoBoost (R9CF)		Gasolina	FWD	1999	176	240	05.15-03.22	*
2.0 EcoBoost (R9CH)		Gasolina	FWD	1999	176	240	05.15-03.22	*
2.0 EcoBoost 4x4 (R9CB,R9CF,R9CH)		Gasolina	4WD	1999	176	240	01.13-12.15	*
2.0 EcoBoost		Gasolina	FWD	1999	179	243	09.12-07.16	*
2.0 EcoBoost 4x4		Gasolina	4WD	1999	179	243	09.12-07.16	*
2.0		Gasolina	FWD	1999	183	249	08.16-03.22	*
2.0 EcoBoost 4x4		Gasolina	4WD	1999	183	249	01.16-12.21	*
2.5 Hybrid		Gasolina	FWD	2488	116	158	09.13-	*
2.5		Gasolina	FWD	2488	125	170	05.15-03.22	*
2.5		Gasolina	FWD	2488	126	171	12.16-03.22	*
2.5		Gasolina	FWD	2488	127	173	09.12-03.22	*
2.5		Gasolina	FWD	2488	130	177	09.13-	*
2.5 4x4		Gasolina	4WD	2488	130	177	09.12-03.22	*
2.5 (S7CB)		Gasolina	FWD	2489	110	149	05.15-03.22	*
2.7 EcoBoost		Gasolina	FWD	2694	242	329	09.16-03.22	*
2.7 EcoBoost 4x4		Gasolina	4WD	2694	242	329	07.17-03.22	*
2.5 Flex		Gasol./Etanol	FWD	2489	129	175	02.13-12.18	*
2.0 Hybrid (UACA)		Gasol./eléc.	FWD	1999	103	140	10.14-	*
2.0 Hybrid		Gasol./eléc.	FWD	1999	130	177	09.14-03.22	*
2.0 Hybrid		Gasol./eléc.	FWD	1999	138	188	01.19-03.22	*
2.0 Hybrid		Gasol./eléc.	FWD	1999	140	190	09.14-03.22	*
2.0 Hybrid		Gasol./eléc.	FWD	1999	140	190	08.14-03.22	*
1.5 TDCi (UGCC)		Diesel	FWD	1499	88	120	03.15-03.22	*
1.5 TDCi (XUCA)		Diesel	FWD	1499	88	120	03.15-03.22	*

# LISTA DE APLICACIONES - BUYERS GUIDE

2.0 EcoBlue (BCCD)		Diesel	FWD	1995	88	120	01.19-03.22	*
2.0 EcoBlue (YLCC)		Diesel	FWD	1995	110	150	01.19-03.22	*
2.0 EcoBlue (YMCC)		Diesel	FWD	1995	140	190	01.19-03.22	*
2.0 EcoBlue 4x4 (YMCC)		Diesel	4WD	1995	140	190	01.19-03.22	*
2.0 TDCi (T7CA)		Diesel	FWD	1998	110	150	09.14-03.22	*
2.0 TDCi (T7CC)		Diesel	FWD	1998	110	150	09.14-03.22	*
2.0 TDCi (T7CD)		Diesel	FWD	1998	110	150	09.14-03.22	*
2.0 TDCi (T7CE)		Diesel	FWD	1998	110	150	09.14-03.22	*
2.0 TDCi (T7CF)		Diesel	FWD	1998	110	150	09.14-03.22	*
2.0 TDCi (T7CN)		Diesel	FWD	1998	110	150	09.14-03.22	*
2.0 TDCi (T7CP)		Diesel	FWD	1998	110	150	09.14-03.22	*
2.0 TDCi (T7CQ)		Diesel	FWD	1998	110	150	09.14-03.22	*
2.0 TDCi 4x4 (T7CA)		Diesel	4WD	1998	110	150	09.14-03.22	*
2.0 TDCi 4x4 (T7CC)		Diesel	4WD	1998	110	150	09.14-03.22	*
2.0 TDCi 4x4 (T7CD)		Diesel	4WD	1998	110	150	09.14-03.22	*
2.0 TDCi 4x4 (T7CE)		Diesel	4WD	1998	110	150	09.14-03.22	*
2.0 TDCi 4x4 (T7CF)		Diesel	4WD	1998	110	150	09.14-03.22	*
2.0 TDCi 4x4 (T7CN)		Diesel	4WD	1998	110	150	09.14-03.22	*
2.0 TDCi 4x4 (T7CP)		Diesel	4WD	1998	110	150	09.14-03.22	*
2.0 TDCi 4x4 (T7CQ)		Diesel	4WD	1998	110	150	09.14-03.22	*
2.0 TDCi (T8CA)		Diesel	FWD	1998	132	180	05.15-03.22	*
2.0 TDCi (T8CC)		Diesel	FWD	1998	132	180	05.15-03.22	*
2.0 TDCi (T8CD)		Diesel	FWD	1998	132	180	05.15-03.22	*
2.0 TDCi (T8CL)		Diesel	FWD	1998	132	180	05.15-03.22	*
2.0 TDCi 4x4 (T8CA)		Diesel	4WD	1998	132	180	05.15-03.22	*
2.0 TDCi 4x4 (T8CC)		Diesel	4WD	1998	132	180	05.15-03.22	*
2.0 TDCi 4x4 (T8CD)		Diesel	4WD	1998	132	180	05.15-03.22	*
2.0 TDCi 4x4 (T8CL)		Diesel	4WD	1998	132	180	05.15-03.22	*
2.0 TDCi Bi-Turbo (T9CA)		Diesel	FWD	1998	154	210	05.15-03.22	*
<b>MONDEO V Turnier (CF) 09.14-</b>							<b>[CAMBIADO]:Break (Large family car-D Segment)</b>	
1.0 EcoBoost (M1CA)		Gasolina	FWD	998	92	125	02.15-03.22	*
1.0 EcoBoost (M1CB)		Gasolina	FWD	998	92	125	02.15-03.22	*
1.5 EcoBoost (UNCA)		Gasolina	FWD	1499	118	160	09.14-03.22	*
1.5 EcoBoost (UNCB)		Gasolina	FWD	1499	118	160	09.14-03.22	*
1.5 EcoBoost (UNCE)		Gasolina	FWD	1499	118	160	09.14-03.22	*
1.5 EcoBoost (UNCF)		Gasolina	FWD	1499	118	160	09.14-03.22	*
1.5 EcoBoost (UNCN)		Gasolina	FWD	1499	121	165	05.18-03.22	*
2.0 EcoBoost (TNCB)		Gasolina	FWD	1999	149	203	09.14-03.22	*
2.0 EcoBoost (TNCD)		Gasolina	FWD	1999	149	203	09.14-03.22	*
2.0 EcoBoost (TNCF)		Gasolina	FWD	1999	149	203	09.14-03.22	*
2.0 EcoBoost (R9CB)		Gasolina	FWD	1999	176	240	09.14-03.22	*
2.0 EcoBoost (R9CF)		Gasolina	FWD	1999	176	240	09.14-03.22	*
2.0 EcoBoost (R9CH)		Gasolina	FWD	1999	176	240	09.14-03.22	*
2.0 Hybrid (UACA)		Gasol./el éc.	FWD	1999	103	140	02.19-	*
2.0 Hybrid iVCT		Gasol./el éc.	FWD	1999	138	188	01.19-03.22	*
1.5 TDCi (UGCC)		Diesel	FWD	1499	88	120	03.15-03.22	*
1.5 TDCi (XUCA)		Diesel	FWD	1499	88	120	03.15-03.22	*
1.6 TDCi (NGCA)		Diesel	FWD	1560	85	115	09.14-03.22	*
1.6 TDCi (U3CA)		Diesel	FWD	1560	85	115	09.14-03.22	*
2.0 EcoBlue (BCCD)		Diesel	FWD	1995	88	120	01.19-03.22	*

# LISTA DE APLICACIONES - BUYERS GUIDE

2.0 EcoBlue (YLCC)		Diesel	FWD	1995	110	150	01.19-03.22	*
2.0 EcoBlue (YMCC)		Diesel	FWD	1995	140	190	01.19-03.22	*
2.0 EcoBlue 4x4 (YMCC)		Diesel	4WD	1995	140	190	01.19-03.22	*
2.0 TDCi (T7CA)		Diesel	FWD	1998	110	150	09.14-03.22	*
2.0 TDCi (T7CC)		Diesel	FWD	1998	110	150	09.14-03.22	*
2.0 TDCi (T7CD)		Diesel	FWD	1998	110	150	09.14-03.22	*
2.0 TDCi (T7CE)		Diesel	FWD	1998	110	150	09.14-03.22	*
2.0 TDCi (T7CF)		Diesel	FWD	1998	110	150	09.14-03.22	*
2.0 TDCi (T7CN)		Diesel	FWD	1998	110	150	09.14-03.22	*
2.0 TDCi (T7CP)		Diesel	FWD	1998	110	150	09.14-03.22	*
2.0 TDCi (T7CQ)		Diesel	FWD	1998	110	150	09.14-03.22	*
2.0 TDCi 4x4 (T7CA)		Diesel	4WD	1998	110	150	02.15-03.22	*
2.0 TDCi 4x4 (T7CC)		Diesel	4WD	1998	110	150	02.15-03.22	*
2.0 TDCi 4x4 (T7CD)		Diesel	4WD	1998	110	150	02.15-03.22	*
2.0 TDCi 4x4 (T7CE)		Diesel	4WD	1998	110	150	02.15-03.22	*
2.0 TDCi 4x4 (T7CF)		Diesel	4WD	1998	110	150	02.15-03.22	*
2.0 TDCi 4x4 (T7CN)		Diesel	4WD	1998	110	150	02.15-03.22	*
2.0 TDCi 4x4 (T7CP)		Diesel	4WD	1998	110	150	02.15-03.22	*
2.0 TDCi 4x4 (T7CQ)		Diesel	4WD	1998	110	150	02.15-03.22	*
2.0 TDCi (T8CA)		Diesel	FWD	1998	132	180	09.14-03.22	*
2.0 TDCi (T8CB)		Diesel	FWD	1998	132	180	09.14-03.22	*
2.0 TDCi (T8CC)		Diesel	FWD	1998	132	180	09.14-03.22	*
2.0 TDCi (T8CD)		Diesel	FWD	1998	132	180	09.14-03.22	*
2.0 TDCi (T8CL)		Diesel	FWD	1998	132	180	09.14-03.22	*
2.0 TDCi 4x4 (T8CA)		Diesel	4WD	1998	132	180	02.15-03.22	*
2.0 TDCi 4x4 (T8CB)		Diesel	4WD	1998	132	180	02.15-03.22	*
2.0 TDCi 4x4 (T8CC)		Diesel	4WD	1998	132	180	02.15-03.22	*
2.0 TDCi 4x4 (T8CD)		Diesel	4WD	1998	132	180	02.15-03.22	*
2.0 TDCi 4x4 (T8CL)		Diesel	4WD	1998	132	180	02.15-03.22	*
2.0 TDCi Bi-Turbo (T9CA)		Diesel	FWD	1998	154	210	03.15-03.22	*
<b>S-MAX II (CJ, WA6) 01.15-</b>					<b>MPV (Large MPV-M1 Segment)</b>			
1.5 EcoBoost (UNCI)		Gasolina	FWD	1499	118	160	01.15-06.18	*
1.5 EcoBoost (UNCJ)		Gasolina	FWD	1499	118	160	01.15-06.18	*
1.5 EcoBoost (UNCK)		Gasolina	FWD	1499	118	160	01.15-06.18	*
1.5 EcoBoost		Gasolina	FWD	1499	121	165	07.18-04.23	*
2.0 EcoBoost (R9CD)		Gasolina	FWD	1999	176	240	01.15-04.23	*
2.0 EcoBoost (R9CI)		Gasolina	FWD	1999	176	240	01.15-04.23	*
2.5 FHEV		Gasol./el éc.	FWD	2488	140	190	07.21-04.23	*
2.0 EcoBlue (YNCA)		Diesel	FWD	1995	88	120	07.18-04.23	*
2.0 EcoBlue (YMCB)		Diesel	FWD	1995	110	150	07.18-04.23	*
2.0 EcoBlue 4x4 (YMCB)		Diesel	4WD	1995	110	150	07.18-04.23	*
2.0 EcoBlue (BCCC)		Diesel	FWD	1995	140	190	07.18-04.23	*
2.0 EcoBlue 4x4 (BCCC)		Diesel	4WD	1995	140	190	07.18-04.23	*
2.0 EcoBlue BI-Turbo (YLCB)		Diesel	FWD	1995	176	240	07.18-04.23	*
2.0 TDCi (UFCA)		Diesel	FWD	1997	88	120	01.15-06.18	*
2.0 TDCi (UFCB)		Diesel	FWD	1997	88	120	01.15-06.18	*
2.0 TDCi (T7CI)		Diesel	FWD	1997	110	150	01.15-06.18	*
2.0 TDCi (T7CJ)		Diesel	FWD	1997	110	150	01.15-06.18	*
2.0 TDCi (T7CK)		Diesel	FWD	1997	110	150	01.15-06.18	*
2.0 TDCi (T7CL)		Diesel	FWD	1997	110	150	01.15-06.18	*
2.0 TDCi 4x4 (T7CI)		Diesel	4WD	1997	110	150	01.15-06.18	*

# LISTA DE APLICACIONES - BUYERS GUIDE

2.0 TDCi 4x4 (T7CJ)		Diesel	4WD	1997	110	150	01.15-06.18	*
2.0 TDCi 4x4 (T7CK)		Diesel	4WD	1997	110	150	01.15-06.18	*
2.0 TDCi 4x4 (T7CL)		Diesel	4WD	1997	110	150	01.15-06.18	*
2.0 TDCi (T8CG)		Diesel	FWD	1997	132	180	01.15-06.18	*
2.0 TDCi (T8CH)		Diesel	FWD	1997	132	180	01.15-06.18	*
2.0 TDCi (T8CI)		Diesel	FWD	1997	132	180	01.15-06.18	*
2.0 TDCi (T8CJ)		Diesel	FWD	1997	132	180	01.15-06.18	*
2.0 TDCi 4x4 (T8CG)		Diesel	4WD	1997	132	180	01.15-06.18	*
2.0 TDCi 4x4 (T8CH)		Diesel	4WD	1997	132	180	01.15-06.18	*
2.0 TDCi 4x4 (T8CI)		Diesel	4WD	1997	132	180	01.15-06.18	*
2.0 TDCi 4x4 (T8CJ)		Diesel	4WD	1997	132	180	01.15-06.18	*
2.0 TDCi Bi-Turbo (T9CB)		Diesel	FWD	1997	154	210	01.15-06.18	*
2.0 TDCi Bi-Turbo (T9CC)		Diesel	FWD	1997	154	210	01.15-06.18	*
<b>FORD (CHANGAN)</b>								
<b>MONDEO 08.13-</b>					<b>Sedán (Large family car-D Segment)</b>			
1.5 (GTDIQ4)		Gasolina	FWD	1499	133	181	08.13-	*
T (CAF488WQ3)		Gasolina	FWD	1999	149	203	08.13-	*
2.0 (CAF488WQ6)		Gasolina	FWD	1999	150	204	11.16-	*
2.0		Gasolina	FWD	1999	178	242	08.13-	*
2.0 S (CAF488WQ8)		Gasolina	FWD	1999	180	245	11.16-	*
2.0 HEV (CAF488Q10)		Gasol./el éc.	FWD	1999	105	143	01.16-	*
ENERGI PHEV (CAF488Q10)		Gasol./el éc.	FWD	1999	105	143	03.18-	*
<b>TAURUS 11.15-</b>					<b>Sedán (Executive car-E Segment)</b>			
1.5 T (CAF479WQ3)		Gasolina	FWD	1499	133	181	07.16-	*
2.0 (CAF488WQ7)		Gasolina	FWD	1999	172	234	04.19-	*
2.0 GTDi		Gasolina	FWD	1999	180	245	11.15-	*
2.7 GTDi		Gasolina	FWD	2694	242	329	11.15-	*
<b>FORD AUSTRALIA</b>								
<b>MONDEO (MD) 09.14-</b>					<b>[CAMBIADO]:Break (Large family car-D Segment)</b>			
2.0 EcoBoost		Gasolina	FWD	1999	149	203	09.14-	*
2.0 EcoBoost		Gasolina	FWD	1999	177	241	09.14-	*
2.0 TDCi		Diesel	RWD	1997	132	180	09.14-	*
<b>MONDEO (MD) 09.14-</b>					<b>[CAMBIADO]:Fastback (Large family car-D Segment)</b>			
2.0 EcoBoost		Gasolina	FWD	1999	149	203	09.14-	*
2.0 EcoBoost		Gasolina	FWD	1999	177	241	09.14-	*
2.0 TDCi		Diesel	RWD	1997	132	180	09.14-	*
<b>FORD USA</b>								
<b>FUSION (U.S.A.) 06.05-</b>					<b>Sedán (Large family car-D Segment)</b>			
3.0		Gasolina	FWD	2967	176	239	08.05-	*
3.0 A las 4 ruedas		Gasolina	4WD	2967	179	243	02.09-10.12	*
3.5		Gasolina	FWD	3496	193	262	09.06-	*
<b>LINCOLN</b>								
<b>MKZ II (U.S.A.) 09.12-</b>					<b>Sedán (Large family car-D Segment)</b>			
2.0		Gasolina	FWD	1999	149	203	10.14-	*
2.0		Gasolina	FWD	1999	172	234	06.16-	*
2.0 AWD		Gasolina	4WD	1999	172	234	06.16-	*
2.0		Gasolina	FWD	1999	179	243	09.12-06.16	*

## LISTA DE APLICACIONES - BUYERS GUIDE

2.0		Gasolina	FWD	1999	179	243	09.12-	*
2.0 AWD		Gasolina	4WD	1999	179	243	09.12-06.16	*
2.0		Gasolina	FWD	1999	183	249	06.16-	*
2.0 AWD		Gasolina	4WD	1999	183	249	06.16-	*
2.0		Gasolina	FWD	1999	186	253	10.14-	*
3.0		Gasolina	FWD	2956	261	355	06.16-	*
3.0 AWD		Gasolina	4WD	2956	261	355	06.16-	*
3.0		Gasolina	FWD	2956	298	405	06.16-	*
3.0 AWD		Gasolina	4WD	2956	298	405	06.16-	*
3.7		Gasolina	FWD	3726	224	305	09.12-	*
3.7		Gasolina	FWD	3726	224	305	09.12-	*
3.7AWD		Gasolina	4WD	3726	224	305	09.12-	*
2.0 Hybrid		Gasol./el éc.	FWD	1999	101	137	04.17-	*
2.0 Hybrid		Gasol./el éc.	FWD	1999	140	190	09.12-	*
2.0 Hybrid		Gasol./el éc.	FWD	1999	140	190	09.12-	*