

LISTA DE APLICACIONES - BUYERS GUIDE

RB2228

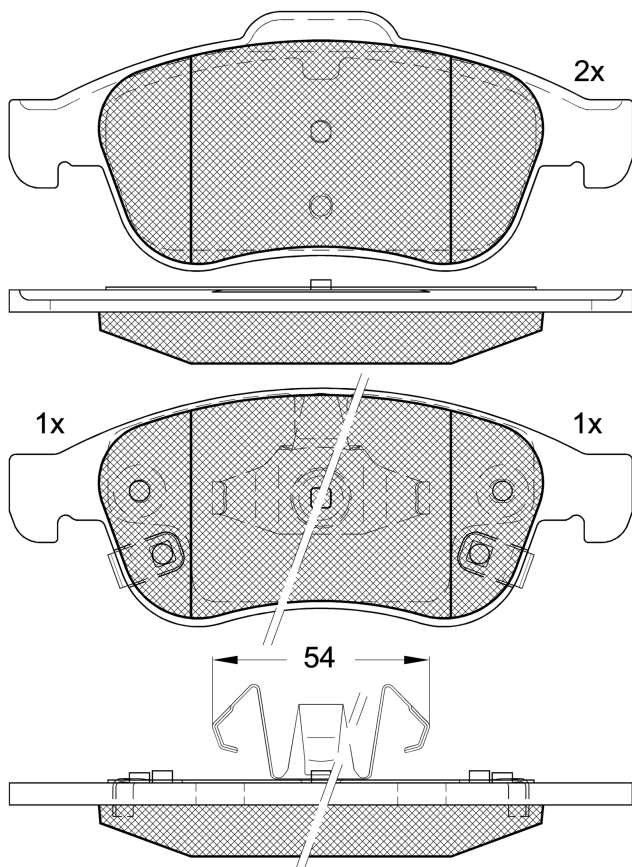


8 424073 139832

Qty: 300

Weight: 1.825

O.E.M.	MAKE
6001073456	JEEP
7 736 721 3	JEEP
7 736 736 9	JEEP
7 736 804 8	JEEP



RB2228

E 9 90R-02A0111/4403



Ate - Teves

155.1x59.3x19

155.15x59.4x19

WVA	FMSI
22240	D2323-9565
22241	
24538	

Sin Filas



Trac.	CC	Kw	CV
-------	----	----	----



Front / Rear

FIAT

500X (334_) 09.14-

SUV (Compact SUV-J Segment)

1.0 (334.AXN1B) (552 82 151)	Gasolina	FWD	999	84	114	06.18-	*
1.0 (334.AXN1B) (552 82 151)	Gasolina	FWD	999	88	120	09.18-	*
1.4 (334AXC1B) (552 63 624)	Gasolina	FWD	1368	100	136	09.14-	*
1.4 (334AXC1B, 334AXC11) (552 63 624)	Gasolina	FWD	1368	103	140	09.14-	*
1.4 LPG (334AXL1B) (552 77 701)	Gasol./Gas (LPG)	FWD	1368	88	120	03.17-09.18	*
1.3 D Multijet (334AXH1A) (552 66 963)	Diesel	FWD	1248	70	95	11.14-	*
1.3 D Multijet (334AXH1A) (552 83 775)	Diesel	FWD	1248	70	95	11.14-	*
1.6 D Multijet (334AXA1B, 334AXA11) (552 60 384)	Diesel	FWD	1598	84	114	09.14-	*
1.6 D Multijet (334AXA1B, 334AXA11) (552 80 444)	Diesel	FWD	1598	84	114	09.14-	*
1.6 D Multijet (334AXA1B, 334AXA11) (552 60 384)	Diesel	FWD	1598	88	120	09.14-	*
1.6 D Multijet (334AXA1B, 334AXA11) (552 80 444)	Diesel	FWD	1598	88	120	09.14-	*
1.6 D Multijet (334.AXV1B)	Diesel	FWD	1598	96	130	05.21-	*

JEEP

RENEGADE (BU, B1, BV) 07.14-

SUV (Compact SUV-J Segment)

1.0 T-GDI	Gasolina	FWD	999	84	114	08.21-	*
1.0 T-GDI (552 82 151)	Gasolina	FWD	999	88	120	08.18-	*
1.4 (552 63 624)	Gasolina	FWD	1368	100	136	01.16-	*
1.4 (552 63 624)	Gasolina	FWD	1368	103	140	07.14-12.18	*
1.4 (EAM)	Gasolina	FWD	1368	103	140	07.14-12.18	*
1.4	Gasolina	FWD	1368	119	162	07.14-	*
1.4	Gasolina	FWD	1368	119	162	07.14-	*
1.4 4x4 (552 63 623)	Gasolina	4WD	1368	125	170	07.14-12.18	*

LISTA DE APLICACIONES - BUYERS GUIDE

1.4 4x4 (EAM)		Gasolina	4WD	1368	125	170	07.14-12.18	*	
1.6 (552 63 842)		Gasolina	FWD	1598	81	110	07.14-09.18	*	
1.6 (EJH)		Gasolina	FWD	1598	81	110	07.14-09.18	*	
1.8 16V Flex		Gasolina	FWD	1747	97	132	04.15-	*	
1.8 16V Flex		Gasolina	FWD	1747	97	132	04.15-	*	
2.4		Gasolina	FWD	2360	129	175	09.15-	*	
2.4		Gasolina	FWD	2360	129	175	09.15-	*	
2.4 (500 52 375)		Gasolina	FWD	2360	132	179	09.15-	*	
2.4 (ED6)		Gasolina	FWD	2360	132	179	09.15-	*	
2.4 4x4 (500 52 375)		Gasolina	4WD	2360	132	179	09.15-	*	
2.4 4x4 (ED6)		Gasolina	4WD	2360	132	179	09.15-	*	
2.4		Gasolina	FWD	2360	134	182	06.16-	*	
2.4 4x4 (ED6)		Gasolina	4WD	2360	134	182	09.14-12.17	*	
2.4		Gasolina	FWD	2360	137	186	07.14-12.16	*	
2.4		Gasolina	FWD	2360	137	186	07.14-	*	
1.4 LPG		Gasol./Gas (LPG)	FWD	1368	88	120	01.16-	*	
1.6 CRD (552 60 384)		Diesel	FWD	1598	70	95	11.16-	*	
1.6 CRD (EJJ)		Diesel	FWD	1598	70	95	11.16-	*	
1.6 MultiJet		Diesel	FWD	1598	84	114	08.22-	*	
1.6 CRD (552 63 113)		Diesel	FWD	1598	88	120	07.14-	*	
1.6 CRD (552 80 444)		Diesel	FWD	1598	88	120	07.14-	*	
1.6 CRD (EJK)		Diesel	FWD	1598	88	120	07.14-	*	
1.6 MultiJet		Diesel	FWD	1598	96	130	02.20-	*	
2.0 CRD 4x4 (552 63 087)		Diesel	4WD	1956	88	120	07.14-	*	
2.0 CRD 4x4 (EBT)		Diesel	4WD	1956	88	120	07.14-	*	
2.0 CRD 4x4 (552 63 087)		Diesel	4WD	1956	103	140	07.14-	*	
2.0 CRD 4x4 (552 63 088)		Diesel	4WD	1956	103	140	07.14-	*	
2.0 CRD 4x4 (552 83 099)		Diesel	4WD	1956	103	140	07.14-	*	
2.0 CRD 4x4 (552 84 064)		Diesel	4WD	1956	103	140	07.14-	*	
2.0 CRD 4x4 (EBT)		Diesel	4WD	1956	103	140	07.14-	*	
2.0 CRD 4x4 (552 63 088)		Diesel	4WD	1956	125	170	07.14-	*	
2.0 CRD 4x4 (552 83 099)		Diesel	4WD	1956	125	170	07.14-	*	
2.0 CRD 4x4 (EBT)		Diesel	4WD	1956	125	170	07.14-	*	
RENEGADE VAN (BU, B1) 07.14-						Furgoneta/SUV (Compact SUV-J Segment)			
1.4		Gasolina	FWD	1368	103	140	07.14-	*	
1.4 4x4		Gasolina	4WD	1368	125	170	07.14-	*	
1.6 E-torQ		Gasolina	FWD	1598	81	110	07.14-09.18	*	
1.6 MultiJet		Diesel	FWD	1598	88	120	07.14-	*	
2.0 MultiJet 4x4		Diesel	4WD	1956	103	140	07.14-	*	