

# LISTA DE APLICACIONES - BUYERS GUIDE

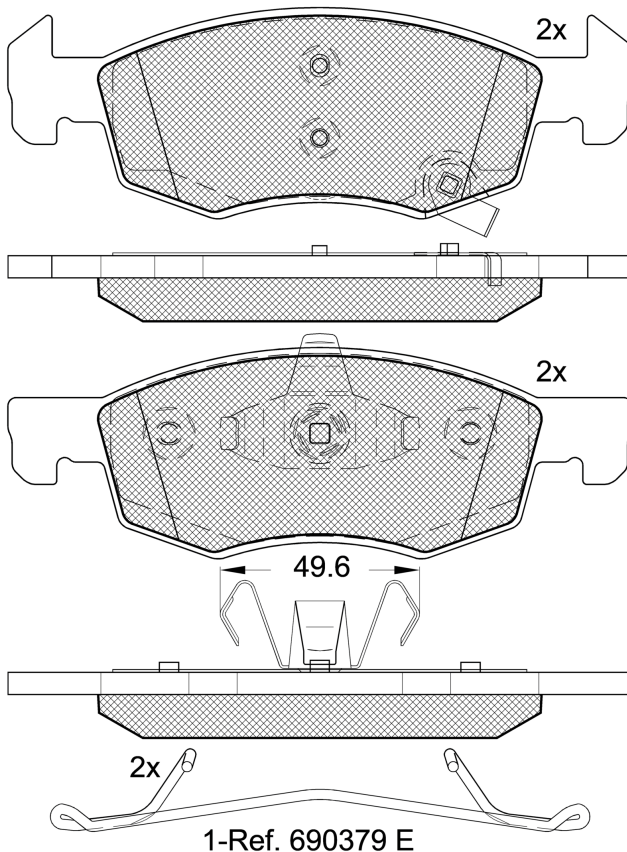
## RB2223



Qty: 300

Weight: 1.560

O.E.M.	MAKE
016 05 280	OPEL
095 517 028	OPEL
095 524 972	OPEL
16 05 280	OPEL
95 517 028	VAUXHALL
95 524 972	VAUXHALL



## RB2223

E 9 90R-02A0111/4271



Ate - Teves

155.2x52.6x17

WVA	FMSI
22143	D2161-9404
22144	

Sin Filas



Trac.	CC	Kw	CV
-------	----	----	----



Front / Rear

### OPEL

CORSA E (X15) 09.14-						[CAMBIADO]:Fastback (Supermini car-B Segment)		
1.0 (08, 68) (B 10 XFL)		Gasolina	FWD	999	66	90	09.14-	*
1.0 (08, 68) (D 10 XFL)		Gasolina	FWD	999	66	90	09.14-	*
1.0 (08, 68) (F 10 XFL)		Gasolina	FWD	999	66	90	09.14-	*
1.0 (08, 68) (B 10 XFT)		Gasolina	FWD	999	85	115	09.14-	*
1.0 (08, 68) (D 10 XFT)		Gasolina	FWD	999	85	115	09.14-	*
1.2 (08, 68) (B 12 XEL)		Gasolina	FWD	1229	51	69	09.14-	*
1.4 Turbo (08, 68) (B 14 NEJ)		Gasolina	FWD	1364	74	101	09.14-06.19	*
1.4 Turbo (08, 68) (D 14 NEJ)		Gasolina	FWD	1364	74	101	09.14-06.19	*
1.4 Turbo (08, 68) (B 14 NEH)		Gasolina	FWD	1364	110	150	03.15-	*
1.4 Turbo (08, 68) (D 14 NEH)		Gasolina	FWD	1364	110	150	03.15-	*
1.4 (08, 68) (B 14 XEJ)		Gasolina	FWD	1398	55	75	09.14-	*
1.4 (08, 68) (B 14 XEL)		Gasolina	FWD	1398	66	90	09.14-	*
1.4 (08, 68) (D 14 XEL)		Gasolina	FWD	1398	66	90	09.14-	*
1.6 Turbo (08, 68) (B 16 LER)		Gasolina	FWD	1598	152	207	03.15-	*
1.6 Turbo (08, 68) (B 16 LES)		Gasolina	FWD	1598	152	207	03.15-	*
1.4 LPG (08, 68) (B 14 XEL)		Gasol./Gas (LPG)	FWD	1398	64	87	11.15-	*
1.4 LPG (08, 68) (B 14 XEL)		Gasol./Gas (LPG)	FWD	1398	66	90	03.15-	*
1.3 CDTI (08, 68) (B 13 DTC)		Diesel	FWD	1248	55	75	09.14-	*
1.3 CDTI (08, 68) (B 13 DTN)		Diesel	FWD	1248	55	75	09.14-	*
1.3 CDTI (08, 68) (B 13 DTE)		Diesel	FWD	1248	70	95	09.14-	*
1.3 CDTI (08, 68) (B 13 DTR)		Diesel	FWD	1248	70	95	09.14-	*

# LISTA DE APLICACIONES - BUYERS GUIDE

					<b>Furgón/hatchback (LCVs-N1 Segment)</b>				
<b>CORSA E (X15) 09.14-</b>									
1.2 (08) (B 12 XEL)		Gasolina	FWD	1229	51	69	01.15-	*	
1.4 (08) (B 14 XEJ)		Gasolina	FWD	1398	55	75	09.14-	*	
1.4 (08) (B 14 XEL)		Gasolina	FWD	1398	66	90	09.14-	*	
1.3 CDTI (08) (B 13 DTC)		Diesel	FWD	1248	55	75	01.15-	*	
1.3 CDTI (08) (B 13 DTN)		Diesel	FWD	1248	55	75	01.15-	*	
1.3 CDTI (08) (B 13 DTE)		Diesel	FWD	1248	70	95	09.14-	*	
1.3 CDTI (08) (B 13 DTR)		Diesel	FWD	1248	70	95	09.14-	*	
<b>VAUXHALL</b>									
					<b>[CAMBIADO]:Fastback (Supermini car-B Segment)</b>				
<b>CORSA Mk IV (E) (X15) 08.14-</b>									
1.0 (B 10 XFL)		Gasolina	FWD	999	66	90	08.14-	*	
1.0 (D 10 XFL)		Gasolina	FWD	999	66	90	08.14-	*	
1.0 (F 10 XFL)		Gasolina	FWD	999	66	90	08.14-	*	
1.0 (B 10 XFT)		Gasolina	FWD	999	85	116	08.14-	*	
1.0 (D 10 XFT)		Gasolina	FWD	999	85	116	08.14-	*	
1.2 (B 12 XEL)		Gasolina	FWD	1229	51	69	08.14-	*	
1.4 (B 14 NEJ)		Gasolina	FWD	1364	74	101	08.14-	*	
1.4 (D 14 NEJ)		Gasolina	FWD	1364	74	101	08.14-	*	
1.4 (B 14 NEH)		Gasolina	FWD	1364	110	150	07.15-	*	
1.4 (B 14 XEJ)		Gasolina	FWD	1398	55	75	09.14-	*	
1.4 (B 14 XEL)		Gasolina	FWD	1398	66	90	08.14-	*	
1.4 (D 14 XEL)		Gasolina	FWD	1398	66	90	08.14-	*	
1.6 VXR (B 16 LES)		Gasolina	FWD	1598	151	205	04.15-	*	
1.4 LPG		Gasol./Gas (LPG)	FWD	1398	66	90	08.14-	*	
1.3 CDTi (B 13 DTC)		Diesel	FWD	1248	55	75	08.14-	*	
1.3 CDTi (B 13 DTN)		Diesel	FWD	1248	55	75	08.14-	*	
1.3 CDTi (B 13 DTE)		Diesel	FWD	1248	70	95	08.14-	*	
1.3 CDTi (B 13 DTR)		Diesel	FWD	1248	70	95	08.14-	*	
<b>CORSAVAN Mk IV (E) (X15) 10.14-</b>					<b>Furgón/hatchback (LCVs-N1 Segment)</b>				
1.2 (B 12 XEL)		Gasolina	FWD	1229	51	69	10.14-	*	
1.4		Gasolina	FWD	1398	55	75	10.14-	*	
1.3 CDTi (B 13 DTC)		Diesel	FWD	1248	55	75	10.14-	*	
1.3 CDTi (B 13 DTN)		Diesel	FWD	1248	55	75	10.14-	*	
1.3 CDTi (B 13 DTE)		Diesel	FWD	1248	70	95	10.14-	*	
1.3 CDTi (B 13 DTR)		Diesel	FWD	1248	70	95	10.14-	*	