

LISTA DE APLICACIONES - BUYERS GUIDE

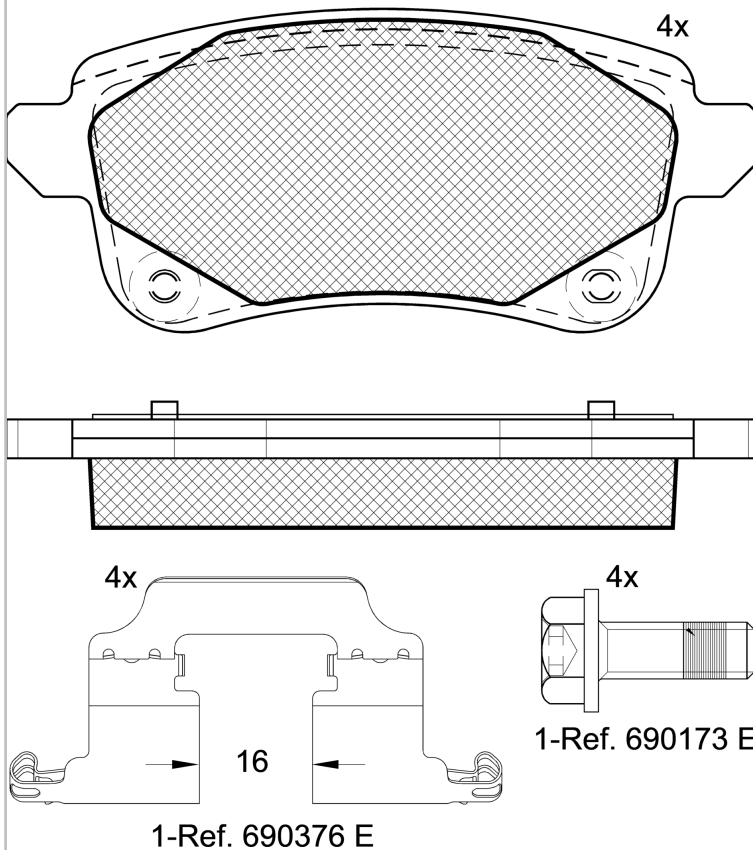
RB2222-208



Qty: 300

Weight: 995

O.E.M.	MAKE
44 06 026 52R	RENAULT
44 06 060 82R	RENAULT
44 06 082 35R	RENAULT



RB2222-208

E 9 90R-02A0111/4371



Trw

106.5x45.7x16

WVA
22356
Sin Filas



Trac.	CC	Kw	CV
-------	----	----	----



Front / Rear

RENAULT

ESPACE V (JR_) 02.15-

MPV (Large MPV-M1 Segment)

1.6 TCe 200 (M5M 450)	Gasolina	FWD	1618	147	200	02.15-03.23	*
1.8 TCe 225	Gasolina	FWD	1798	165	224	10.16-03.23	*
1.6 dCi 130 (R9M 409)	Diesel	FWD	1598	96	130	06.15-03.23	*
1.6 dCi 160 (R9M 452)	Diesel	FWD	1598	118	160	06.15-03.23	*
2.0 Blue dCi 160 (JRAM) (M9R 650)	Diesel	FWD	1997	118	160	10.18-03.23	*
2.0 Blue dCi 190 (JRAL)	Diesel	FWD	1997	139	189	01.21-03.23	*
2.0 Blue dCi 200 (JRAL) (M9R 650)	Diesel	FWD	1997	147	200	10.18-03.23	*

GRAND SCÉNIC IV (R9_) 09.16-

MPV (Compact MPV-M1 Segment)

1.2 TCe 115 (H5F 408)	Gasolina	FWD	1198	85	115	09.16-03.23	*
1.2 TCe 130 (H5F 408)	Gasolina	FWD	1198	96	130	09.16-03.23	*
1.3 TCe 115 (R9N9) (H5H 450)	Gasolina	FWD	1332	85	115	01.18-03.23	*
1.3 TCe 115 (R9N9) (H5H 470)	Gasolina	FWD	1332	85	115	01.18-03.23	*
1.3 TCe 140 (R9NB) (H5H 450)	Gasolina	FWD	1332	103	140	01.18-03.23	*
1.3 TCe 140 (R9NB) (H5H 470)	Gasolina	FWD	1332	103	140	01.18-03.23	*
1.3 TCe 160 (R9NC)	Gasolina	FWD	1332	116	158	01.22-03.23	*
1.3 TCe 160 (R9NC) (H5H 470)	Gasolina	FWD	1332	117	159	09.18-03.23	*
1.3 TCe 160 (H5H 450)	Gasolina	FWD	1332	120	163	01.18-03.23	*
1.5 dCi 95 Hybrid Assist (R9A3)	Diesel/el éc.	FWD	1461	70	95	11.16-03.23	*
1.5 dCi 110 Hybrid Assist (R9AE, R9A3) (K9K 500)	Diesel/el éc.	FWD	1461	81	110	04.17-03.23	*
1.5 dCi 110 Hybrid Assist (R9AE, R9A3) (K9K 502)	Diesel/el éc.	FWD	1461	81	110	04.17-03.23	*
1.5 dCi 110 (R9A3) (K9K 646)	Diesel	FWD	1461	81	110	09.16-03.23	*

LISTA DE APLICACIONES - BUYERS GUIDE

1.5 dCi 110 (R9A3) (K9K 647)		Diesel	FWD	1461	81	110	09.16-03.23	*	
1.6 dCi 130 (R9M 409)		Diesel	FWD	1598	96	130	09.16-03.23	*	
1.6 dCi 160 (R9M 452)		Diesel	FWD	1598	118	160	09.16-03.23	*	
1.7 Blue dCi 120 (R9A7, R9A8) (R9N 400)		Diesel	FWD	1749	88	120	08.18-03.23	*	
1.7 Blue dCi 120 (R9A7, R9A8) (R9N 401)		Diesel	FWD	1749	88	120	08.18-03.23	*	
1.7 Blue dCi 150 (R9A7, R9A8) (R9N 401)		Diesel	FWD	1749	110	150	08.18-03.23	*	
MEGANE IV (B9A/M/N_) 11.15-							[CAMBIADO]:Fastback (Compact car-C Segment)		
1.0 TCe 115 (B9MD, B9MW)		Gasolina	FWD	999	84	114	10.20-	*	
1.6 TCe 165 (M5M 450)		Gasolina	FWD	1618	121	165	07.17-	*	
1.6 TCe 205 (B9MV) (M5M 450)		Gasolina	FWD	1618	151	205	11.15-	*	
1.8 RS TCe 280 (B9M6) (M5P 402)		Gasolina	FWD	1798	205	279	10.17-	*	
1.8 RS TCe 280 (B9M6) (M5P 404)		Gasolina	FWD	1798	205	279	10.17-	*	
1.8 RS 300 (B9M8) (M5P 404)		Gasolina	FWD	1798	221	301	09.18-	*	
1.6 E-TECH 160 (B9NH)		Gasol./el éc.	FWD	1598	69	94	07.21-	*	
1.6 E-TECH 160 (B9NH)		Gasol./el éc.	FWD	1598	118	160	07.21-	*	
1.6 dCi 165 (R9M 452)		Diesel	FWD	1598	120	163	11.15-	*	
MEGANE IV Grandtour (K9A/M/N_) 04.16-							[CAMBIADO]:Break (Compact car-C Segment)		
1.0 TCe 115 (K9MB, K9MW)		Gasolina	FWD	999	84	114	07.21-	*	
1.2 TCe 100 (H5F 408)		Gasolina	FWD	1197	74	101	04.16-	*	
1.2 TCe 130 (K9MR) (H5F 408)		Gasolina	FWD	1197	97	130	04.16-	*	
1.3 TCe 100 (K9N8) (H5H 470)		Gasolina	FWD	1332	75	102	08.18-	*	
1.3 TCe 115 (K9N9) (H5H 450)		Gasolina	FWD	1332	85	116	01.18-	*	
1.3 TCe 115 (K9N9) (H5H 470)		Gasolina	FWD	1332	85	116	01.18-	*	
1.3 TCe 140 (K9NB) (H5H 450)		Gasolina	FWD	1332	103	140	01.18-	*	
1.3 TCe 140 (K9NB) (H5H 470)		Gasolina	FWD	1332	103	140	01.18-	*	
1.3 TCe 160 (K9NC)		Gasolina	FWD	1332	116	158	08.20-	*	
1.3 TCe 160 (K9NC) (H5H 470)		Gasolina	FWD	1332	117	159	07.18-	*	
1.3 TCe 160 (K9NC) (H5H 450)		Gasolina	FWD	1332	120	163	01.18-	*	
1.3 TCe 160 (K9NC) (H5H 470)		Gasolina	FWD	1332	120	163	01.18-	*	
1.6 TCe 165 (M5M 450)		Gasolina	FWD	1618	121	165	07.17-	*	
1.6 TCe 205 (M5M 450)		Gasolina	FWD	1618	151	205	04.16-	*	
E-TECH 160 (K9NH)		Gasol./el éc.	FWD	1598	67	91	05.20-	*	
E-TECH 160 (K9NH) (H4M 630)		Gasol./el éc.	FWD	1598	116	158	05.20-	*	
1.5 dCi 90 (K9K 656)		Diesel	FWD	1461	66	90	04.16-	*	
1.5 Blue dCi 95 (K9A2) (K9K 872)		Diesel	FWD	1461	70	95	08.18-	*	
1.5 dCi 110 (K9K 656)		Diesel	FWD	1461	81	110	04.16-	*	
1.5 dCi 110 (K9K 657)		Diesel	FWD	1461	81	110	04.16-	*	
1.5 Blue dCi 115 (K9A6) (K9K 872)		Diesel	FWD	1461	85	116	08.18-	*	
1.5 Blue dCi 115 (K9A6) (K9K 873)		Diesel	FWD	1461	85	116	08.18-	*	
1.6 dCi 130 (R9M 409)		Diesel	FWD	1598	96	130	04.16-	*	
1.6 dCi 165 (R9M 452)		Diesel	FWD	1598	120	163	04.16-	*	
1.8 Blue dCi 150 (K9A7) (R9N 401)		Diesel	FWD	1749	110	150	02.19-	*	
SCÉNIC IV (J9_) 09.16-							MPV (Compact MPV-M1 Segment)		
1.2 TCe 130 (H5F 408)		Gasolina	FWD	1197	96	130	09.16-07.22	*	
1.2 TCe 115 (H5F 408)		Gasolina	FWD	1198	85	115	09.16-07.22	*	
1.3 TCe 115 (J9N9) (H5H 450)		Gasolina	FWD	1332	85	115	01.18-07.22	*	
1.3 TCe 115 (J9N9) (H5H 470)		Gasolina	FWD	1332	85	115	01.18-07.22	*	
1.3 TCe 140 (H5H 450)		Gasolina	FWD	1332	103	140	01.18-07.22	*	

LISTA DE APLICACIONES - BUYERS GUIDE

1.3 TCe 140 (H5H 470)		Gasolina	FWD	1332	103	140	01.18-07.22	*	
1.3 TCe 160 (J9NC) (H5H 470)		Gasolina	FWD	1332	117	159	09.18-07.22	*	
1.3 TCe 160 (H5H 450)		Gasolina	FWD	1332	120	163	01.18-07.22	*	
1.5 dCi 110 Hybrid Assist (R9AE, R9A3) (K9K 500)		Diesel/el éc.	FWD	1461	81	110	04.17-07.22	*	
1.5 dCi 110 Hybrid Assist (R9AE, R9A3) (K9K 502)		Diesel/el éc.	FWD	1461	81	110	04.17-07.22	*	
1.5 dCi 95 (K9K 646)		Diesel	FWD	1461	70	95	09.16-07.22	*	
1.5 dCi 95 (K9K 846)		Diesel	FWD	1461	70	95	09.16-07.22	*	
1.5 dCi 110 (K9K 646)		Diesel	FWD	1461	81	110	09.16-07.22	*	
1.5 dCi 110 (K9K 647)		Diesel	FWD	1461	81	110	09.16-07.22	*	
1.6 dCi 130 (R9M 409)		Diesel	FWD	1598	96	130	09.16-07.22	*	
1.6 dCi 160 (R9M 452)		Diesel	FWD	1598	118	160	09.16-07.22	*	
1.7 Blue dCi 120 (J9A7, J9A8) (R9N 400)		Diesel	FWD	1749	88	120	08.18-07.22	*	
1.7 Blue dCi 120 (J9A7, J9A8) (R9N 401)		Diesel	FWD	1749	88	120	08.18-07.22	*	
1.7 Blue dCi 150 (J9A7, J9A8) (R9N 400)		Diesel	FWD	1749	110	150	08.18-07.22	*	
1.7 Blue dCi 150 (J9A7, J9A8) (R9N 401)		Diesel	FWD	1749	110	150	08.18-07.22	*	
TALISMAN / Samsung SM6 (LP_) 06.15-							Sedán (Large family car-D Segment)		
1.3 TCe 160 (LPNC, LPNB)		Gasolina	FWD	1332	116	158	07.21-03.22	*	
1.3 TCe 160 (LPNC) (H5H 470)		Gasolina	FWD	1332	117	160	01.19-03.22	*	
1.6 TCe 150 (M5M 450)		Gasolina	FWD	1618	110	150	11.15-03.22	*	
1.6 TCe 200 (M5M 450)		Gasolina	FWD	1618	147	200	11.15-03.22	*	
1.8 TCe 225 (LPM1) (M5P 403)		Gasolina	FWD	1798	165	224	09.18-03.22	*	
1.5 dCi 110 (LPA3) (K9K 646)		Diesel	FWD	1461	81	110	11.15-03.22	*	
1.5 dCi 110 (LPA3) (K9K 647)		Diesel	FWD	1461	81	110	11.15-03.22	*	
1.6 dCi 130 (R9M 409)		Diesel	FWD	1598	96	130	11.15-03.22	*	
1.6 dCi 160 (R9M 452)		Diesel	FWD	1598	118	160	06.15-03.22	*	
1.6 dCi 160 (R9M 453)		Diesel	FWD	1598	118	160	06.15-03.22	*	
1.7 Blue dCi 120 (LPA7) (R9N 401)		Diesel	FWD	1749	88	120	09.18-03.22	*	
1.7 Blue dCi 150 (LPA8) (R9N 401)		Diesel	FWD	1749	110	150	09.18-03.22	*	
2.0 Blue dCi 160 (LPAM) (M9R 650)		Diesel	FWD	1997	118	160	01.19-03.22	*	
2.0 Blue dCi 190 (LPAL, LPAM)		Diesel	FWD	1997	139	189	07.21-03.22	*	
2.0 Blue dCi 200 (LPAL) (M9R 650)		Diesel	FWD	1997	147	200	01.19-03.22	*	
TALISMAN Grandtour / Samsung SM6 (KP_) 03.16-							[CAMBIADO]: Break (Large family car-D Segment)		
1.3 TCe 160 (KPNC)		Gasolina	FWD	1332	116	158	07.21-03.22	*	
1.3 TCe 160 (KPNC) (H5H 470)		Gasolina	FWD	1332	117	160	01.19-03.22	*	
1.6 TCe 150 (M5M 450)		Gasolina	FWD	1618	110	150	03.16-03.22	*	
1.6 TCe 200 (M5M 450)		Gasolina	FWD	1618	147	200	03.16-03.22	*	
1.8 TCe 225 (KPM1) (M5P 403)		Gasolina	FWD	1798	165	224	09.18-03.22	*	
1.5 dCi 110 (K9K 646)		Diesel	FWD	1461	81	110	03.16-03.22	*	
1.5 dCi 110 (K9K 647)		Diesel	FWD	1461	81	110	03.16-03.22	*	
1.5 dCi 110 (K9K 648)		Diesel	FWD	1461	81	110	03.16-03.22	*	
1.5 dCi 110 (K9K 649)		Diesel	FWD	1461	81	110	03.16-03.22	*	
1.6 dCi 130 (R9M 409)		Diesel	FWD	1598	96	130	03.16-03.22	*	
1.6 dCi 160 (R9M 452)		Diesel	FWD	1598	118	160	03.16-03.22	*	
1.6 dCi 160 (R9M 453)		Diesel	FWD	1598	118	160	03.16-03.22	*	
1.7 Blue dCi 120 (KPA7) (R9N 401)		Diesel	FWD	1749	88	120	09.18-03.22	*	
1.7 Blue dCi 150 (KPA8) (R9N 401)		Diesel	FWD	1749	110	150	09.18-03.22	*	
2.0 Blue dCi 160 (KPAM) (M9R 650)		Diesel	FWD	1997	118	160	01.19-03.22	*	
2.0 Blue dCi 190 (KPAL, KPAM)		Diesel	FWD	1997	139	189	07.21-03.22	*	
2.0 Blue dCi 200 (KPAL) (M9R 650)		Diesel	FWD	1997	147	200	01.19-03.22	*	