


# LISTA DE APLICACIONES - BUYERS GUIDE

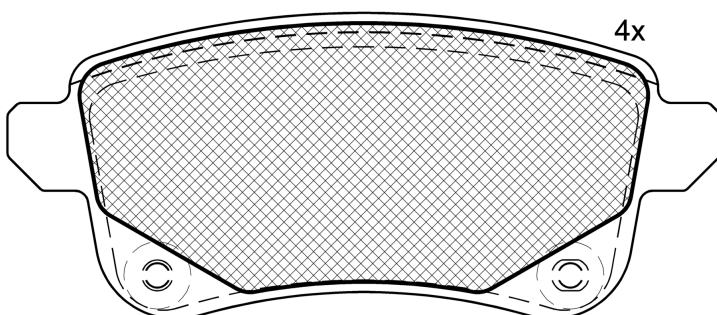
## RB2222



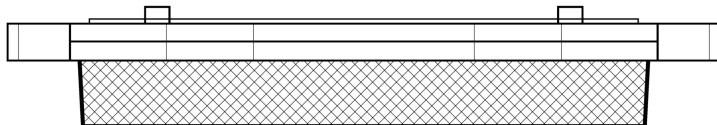
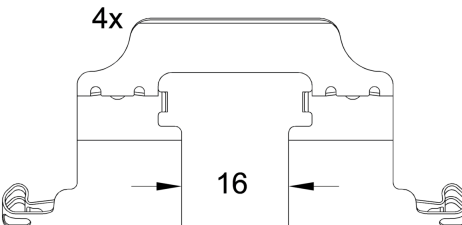
8 424073 139764

Qty: 300      Weight: 1.010

O.E.M.	MAKE
44 06 080 61R	RENAULT
44 08 346 27R	RENAULT



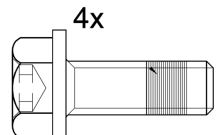
4x

4x

16

1-Ref. 690376 E




4x

1-Ref. 690173 E

## RB2222

E 9 90R-02A0111/4234



Trw

106.5x45.7x16

**WVA**

22103

Sin Filas



Trac.	CC	Kw	CV		
				Front / Rear	

NISSAN							
<b>JUKE II (F16_) 08.19-</b>						<b>SUV (Mini SUV-J Segment)</b>	
DIG-T 117 (HR10DDT)	Gasolina	FWD	999	86	117	08.19-	*
RENAULT							
<b>ESPACE V (JR_) 02.15-</b>						<b>MPV (Large MPV-M1 Segment)</b>	
1.6 TCe 200 (M5M 450)	Gasolina	FWD	1618	147	200	02.15-03.23	*
1.8 TCe 225	Gasolina	FWD	1798	165	224	10.16-03.23	*
1.6 dCi 130 (R9M 409)	Diesel	FWD	1598	96	130	06.15-03.23	*
1.6 dCi 160 (R9M 452)	Diesel	FWD	1598	118	160	06.15-03.23	*
2.0 Blue dCi 160 (JRAM) (M9R 650)	Diesel	FWD	1997	118	160	10.18-03.23	*
2.0 Blue dCi 190 (JRAL)	Diesel	FWD	1997	139	189	01.21-03.23	*
2.0 Blue dCi 200 (JRAL) (M9R 650)	Diesel	FWD	1997	147	200	10.18-03.23	*
<b>GRAND SCÉNIC III (JZ0/1_) 02.09-</b>						<b>MPV (Compact MPV-M1 Segment)</b>	
1.2 TCe (JZ11, JZ28) (H5F 400)	Gasolina	FWD	1197	85	116	04.12-09.16	*
1.2 TCe (JZ28) (H5F 408)	Gasolina	FWD	1197	96	131	07.14-09.16	*
1.2 TCe (JZ16) (H5F 404)	Gasolina	FWD	1197	97	132	01.13-09.16	*
1.4 16V (JZ0F) (H4J 700)	Gasolina	FWD	1397	96	131	02.09-09.16	*
1.6 16V (JZ0U) (K4M 858)	Gasolina	FWD	1598	81	109	02.09-09.16	*
2.0 16V (JZ0G) (M4R 711)	Gasolina	FWD	1997	103	140	02.09-09.16	*
1.6 16V Bifuel (JZ1Y) (K4M 866)	Gasol./Gas (LPG)	FWD	1598	79	107	04.12-09.16	*
1.6 16V Bifuel (JZ1Y) (K4M 866)	Gasol./Gas (LPG)	FWD	1598	81	110	02.09-09.16	*
1.6 E85 (JZ03, JZ1Y) (K4M 866)	Gasol./Etanol	FWD	1598	81	110	02.09-09.16	*
1.5 dCi (JZ0A) (K9K 830)	Diesel	FWD	1461	63	86	04.09-09.16	*

# LISTA DE APLICACIONES - BUYERS GUIDE

1.5 dCi (JZ02, JZ0R) (K9K 846)		Diesel	FWD	1461	70	95	11.10-09.16	*
1.5 dCi (JZ0B, JZ07) (K9K 832)		Diesel	FWD	1461	78	106	02.09-09.16	*
1.5 dCi (JZ09, JZ0D, JZ10, JZ14, JZ1G, JZ29, JZ2C) (K9K 636)		Diesel	FWD	1461	81	110	04.09-09.16	*
1.5 dCi (JZ09, JZ0D, JZ10, JZ14, JZ1G, JZ29, JZ2C) (K9K 836)		Diesel	FWD	1461	81	110	04.09-09.16	*
1.5 dCi (JZ09, JZ0D, JZ10, JZ14, JZ1G, JZ29, JZ2C) (K9K 837)		Diesel	FWD	1461	81	110	04.09-09.16	*
1.6 dCi (JZ00, JZ12) (R9M 402)		Diesel	FWD	1598	96	130	04.11-09.16	*
1.6 dCi (JZ00, JZ12) (R9M 404)		Diesel	FWD	1598	96	130	04.11-09.16	*
1.6 dCi (JZ00, JZ12) (R9M 414)		Diesel	FWD	1598	96	130	04.11-09.16	*
1.9 dCi (JZ0J, JZ0N, JZ1K, JZ1S) (F9Q 870)		Diesel	FWD	1870	96	131	02.09-09.16	*
1.9 dCi (JZ0J, JZ0N, JZ1K, JZ1S) (F9Q 872)		Diesel	FWD	1870	96	131	02.09-09.16	*
<b>GRAND SCÉNIC IV (R9_) 09.16-</b>				<b>MPV (Compact MPV-M1 Segment)</b>				
1.2 TCe 115 (H5F 408)		Gasolina	FWD	1198	85	115	09.16-03.23	*
1.2 TCe 130 (H5F 408)		Gasolina	FWD	1198	96	130	09.16-03.23	*
1.3 TCe 115 (R9N9) (H5H 450)		Gasolina	FWD	1332	85	115	01.18-03.23	*
1.3 TCe 115 (R9N9) (H5H 470)		Gasolina	FWD	1332	85	115	01.18-03.23	*
1.3 TCe 140 (R9NB) (H5H 450)		Gasolina	FWD	1332	103	140	01.18-03.23	*
1.3 TCe 140 (R9NB) (H5H 470)		Gasolina	FWD	1332	103	140	01.18-03.23	*
1.3 TCe 160 (R9NC)		Gasolina	FWD	1332	116	158	01.22-03.23	*
1.3 TCe 160 (R9NC) (H5H 470)		Gasolina	FWD	1332	117	159	09.18-03.23	*
1.3 TCe 160 (H5H 450)		Gasolina	FWD	1332	120	163	01.18-03.23	*
1.5 dCi 95 Hybrid Assist (R9A3)		Diesel/el éc.	FWD	1461	70	95	11.16-03.23	*
1.5 dCi 110 Hybrid Assist (R9AE, R9A3) (K9K 500)		Diesel/el éc.	FWD	1461	81	110	04.17-03.23	*
1.5 dCi 110 Hybrid Assist (R9AE, R9A3) (K9K 502)		Diesel/el éc.	FWD	1461	81	110	04.17-03.23	*
1.5 dCi 110 (R9A3) (K9K 646)		Diesel	FWD	1461	81	110	09.16-03.23	*
1.5 dCi 110 (R9A3) (K9K 647)		Diesel	FWD	1461	81	110	09.16-03.23	*
1.6 dCi 130 (R9M 409)		Diesel	FWD	1598	96	130	09.16-03.23	*
1.6 dCi 160 (R9M 452)		Diesel	FWD	1598	118	160	09.16-03.23	*
1.7 Blue dCi 120 (R9A7, R9A8) (R9N 400)		Diesel	FWD	1749	88	120	08.18-03.23	*
1.7 Blue dCi 120 (R9A7, R9A8) (R9N 401)		Diesel	FWD	1749	88	120	08.18-03.23	*
1.7 Blue dCi 150 (R9A7, R9A8) (R9N 401)		Diesel	FWD	1749	110	150	08.18-03.23	*
<b>MEGANE IV (B9A/M/N_) 11.15-</b>				<b>[CAMBIADO]:Fastback (Compact car-C Segment)</b>				
1.6 16V (H4M 738)		Gasolina	FWD	1598	84	115	11.15-	*
1.6 16V (H4M 748)		Gasolina	FWD	1598	84	115	11.15-	*
1.6 16V (H4M 749)		Gasolina	FWD	1598	84	115	11.15-	*
1.6 16V (H4M 750)		Gasolina	FWD	1598	84	115	11.15-	*
1.6 16V (H4M 751)		Gasolina	FWD	1598	84	115	11.15-	*
1.6 TCe 165 (M5M 450)		Gasolina	FWD	1618	121	165	07.17-	*
1.6 TCe 205 (B9MV) (M5M 450)		Gasolina	FWD	1618	151	205	11.15-	*
1.8 RS TCe 280 (B9M6) (M5P 402)		Gasolina	FWD	1798	205	279	10.17-	*
1.8 RS TCe 280 (B9M6) (M5P 404)		Gasolina	FWD	1798	205	279	10.17-	*
1.8 RS 300 (B9M8) (M5P 404)		Gasolina	FWD	1798	221	301	09.18-	*
<b>MEGANE IV Grandtour (K9A/M/N_) 04.16-</b>				<b>[CAMBIADO]:Break (Compact car-C Segment)</b>				
1.6 TCe 165 (M5M 450)		Gasolina	FWD	1618	121	165	07.17-	*
1.6 TCe 205 (M5M 450)		Gasolina	FWD	1618	151	205	04.16-	*
<b>SCÉNIC III (JZ0/1_) 12.08-</b>				<b>MPV (Compact MPV-M1 Segment)</b>				
2.0 16V (M4R 711)		Gasolina	FWD	1997	101	137	12.08-09.16	*

# LISTA DE APLICACIONES - BUYERS GUIDE

1.6 16V Bifuel (K4M 866)	Gasol./Gas (LPG)	FWD	1598	79	107	04.12-12.13	*
2.0 dCi (JZ0Y, JZ26) (M9R 615)	Diesel	FWD	1995	110	150	02.09-09.16	*
2.0 dCi (JZ0L) (M9R 610)	Diesel	FWD	1995	118	160	04.09-09.16	*
<b>SCÉNIC IV (J9_) 09.16-</b>				<b>MPV (Compact MPV-M1 Segment)</b>			
1.2 TCe 130 (H5F 408)	Gasolina	FWD	1197	96	130	09.16-07.22	*
1.2 TCe 115 (H5F 408)	Gasolina	FWD	1198	85	115	09.16-07.22	*
1.3 TCe 115 (J9N9) (H5H 450)	Gasolina	FWD	1332	85	115	01.18-07.22	*
1.3 TCe 115 (J9N9) (H5H 470)	Gasolina	FWD	1332	85	115	01.18-07.22	*
1.3 TCe 140 (H5H 450)	Gasolina	FWD	1332	103	140	01.18-07.22	*
1.3 TCe 140 (H5H 470)	Gasolina	FWD	1332	103	140	01.18-07.22	*
1.3 TCe 160 (J9NC) (H5H 470)	Gasolina	FWD	1332	117	159	09.18-07.22	*
1.3 TCe 160 (H5H 450)	Gasolina	FWD	1332	120	163	01.18-07.22	*
1.5 dCi 110 Hybrid Assist (R9AE, R9A3) (K9K 500)	Diesel/eléc.	FWD	1461	81	110	04.17-07.22	*
1.5 dCi 110 Hybrid Assist (R9AE, R9A3) (K9K 502)	Diesel/eléc.	FWD	1461	81	110	04.17-07.22	*
1.5 dCi 95 (K9K 646)	Diesel	FWD	1461	70	95	09.16-07.22	*
1.5 dCi 95 (K9K 846)	Diesel	FWD	1461	70	95	09.16-07.22	*
1.5 dCi 110 (K9K 646)	Diesel	FWD	1461	81	110	09.16-07.22	*
1.5 dCi 110 (K9K 647)	Diesel	FWD	1461	81	110	09.16-07.22	*
1.6 dCi 130 (R9M 409)	Diesel	FWD	1598	96	130	09.16-07.22	*
1.6 dCi 160 (R9M 452)	Diesel	FWD	1598	118	160	09.16-07.22	*
1.7 Blue dCi 120 (J9A7, J9A8) (R9N 400)	Diesel	FWD	1749	88	120	08.18-07.22	*
1.7 Blue dCi 120 (J9A7, J9A8) (R9N 401)	Diesel	FWD	1749	88	120	08.18-07.22	*
1.7 Blue dCi 150 (J9A7, J9A8) (R9N 400)	Diesel	FWD	1749	110	150	08.18-07.22	*
1.7 Blue dCi 150 (J9A7, J9A8) (R9N 401)	Diesel	FWD	1749	110	150	08.18-07.22	*
<b>TALISMAN / Samsung SM6 (LP_) 06.15-</b>				<b>Sedán (Large family car-D Segment)</b>			
1.3 TCe 160 (LPNC, LPNB)	Gasolina	FWD	1332	116	158	07.21-03.22	*
1.3 TCe 160 (LPNC) (H5H 470)	Gasolina	FWD	1332	117	160	01.19-03.22	*
1.6 TCe 150 (M5M 450)	Gasolina	FWD	1618	110	150	11.15-03.22	*
1.6 TCe 190 (M5M 450)	Gasolina	FWD	1618	140	190	11.15-03.22	*
1.6 TCe 200 (M5M 450)	Gasolina	FWD	1618	147	200	11.15-03.22	*
1.8 TCe 225 (LPM1) (M5P 403)	Gasolina	FWD	1798	165	224	09.18-03.22	*
2.0 (M4R 735)	Gasolina	FWD	1997	103	140	11.15-03.22	*
2.0 (M4R 739)	Gasolina	FWD	1997	103	140	11.15-03.22	*
1.5 dCi 110 (LPA3) (K9K 646)	Diesel	FWD	1461	81	110	11.15-03.22	*
1.5 dCi 110 (LPA3) (K9K 647)	Diesel	FWD	1461	81	110	11.15-03.22	*
1.6 dCi 130 (R9M 409)	Diesel	FWD	1598	96	130	11.15-03.22	*
1.6 dCi 160 (R9M 452)	Diesel	FWD	1598	118	160	06.15-03.22	*
1.6 dCi 160 (R9M 453)	Diesel	FWD	1598	118	160	06.15-03.22	*
1.7 Blue dCi 120 (LPA7) (R9N 401)	Diesel	FWD	1749	88	120	09.18-03.22	*
1.7 Blue dCi 150 (LPA8) (R9N 401)	Diesel	FWD	1749	110	150	09.18-03.22	*
2.0 Blue dCi 160 (LPAM) (M9R 650)	Diesel	FWD	1997	118	160	01.19-03.22	*
2.0 Blue dCi 190 (LPAL, LPAM)	Diesel	FWD	1997	139	189	07.21-03.22	*
2.0 Blue dCi 200 (LPAL) (M9R 650)	Diesel	FWD	1997	147	200	01.19-03.22	*
<b>TALISMAN Grandtour / Samsung SM6 (KP_) 03.16-</b>				<b>[CAMBIADO]:Break (Large family car-D Segment)</b>			
1.3 TCe 160 (KPNC)	Gasolina	FWD	1332	116	158	07.21-03.22	*
1.3 TCe 160 (KPNC) (H5H 470)	Gasolina	FWD	1332	117	160	01.19-03.22	*
1.6 TCe 150 (M5M 450)	Gasolina	FWD	1618	110	150	03.16-03.22	*
1.6 TCe 200 (M5M 450)	Gasolina	FWD	1618	147	200	03.16-03.22	*
1.8 TCe 225 (KPM1) (M5P 403)	Gasolina	FWD	1798	165	224	09.18-03.22	*

## LISTA DE APLICACIONES - BUYERS GUIDE

1.5 dCi 110 (K9K 646)		Diesel	FWD	1461	81	110	03.16-03.22	*
1.5 dCi 110 (K9K 647)		Diesel	FWD	1461	81	110	03.16-03.22	*
1.5 dCi 110 (K9K 648)		Diesel	FWD	1461	81	110	03.16-03.22	*
1.5 dCi 110 (K9K 649)		Diesel	FWD	1461	81	110	03.16-03.22	*
1.6 dCi 130 (R9M 409)		Diesel	FWD	1598	96	130	03.16-03.22	*
1.6 dCi 160 (R9M 452)		Diesel	FWD	1598	118	160	03.16-03.22	*
1.6 dCi 160 (R9M 453)		Diesel	FWD	1598	118	160	03.16-03.22	*
1.7 Blue dCi 120 (KPA7) (R9N 401)		Diesel	FWD	1749	88	120	09.18-03.22	*
1.7 Blue dCi 150 (KPA8) (R9N 401)		Diesel	FWD	1749	110	150	09.18-03.22	*
2.0 Blue dCi 160 (KPAM) (M9R 650)		Diesel	FWD	1997	118	160	01.19-03.22	*
2.0 Blue dCi 190 (KPAL, KPAM)		Diesel	FWD	1997	139	189	07.21-03.22	*
2.0 Blue dCi 200 (KPAL) (M9R 650)		Diesel	FWD	1997	147	200	01.19-03.22	*