

LISTA DE APLICACIONES - BUYERS GUIDE

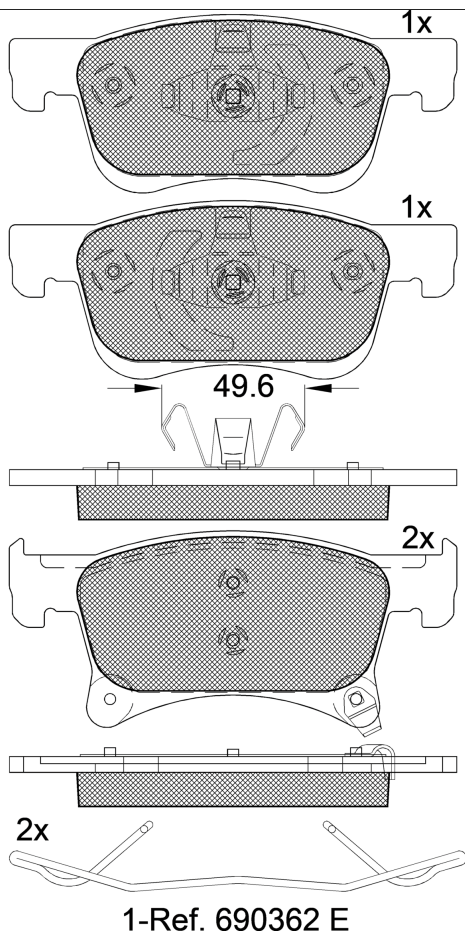
RB2221



Qty: 300

Weight: 1.945

O.E.M.	MAKE
16 05 281	OPEL
39 122 150	VAUXHALL
95 517 029	VAUXHALL
95 524 973	VAUXHALL



RB2221

E 9 90R-02A0111/4370



Ate - Teves

155.15x61.9x18
155.15x68.1x18

WVA
22123
22124
22125

Sin Filas



	Trac.	CC	Kw	CV			Front / Rear
--	-------	----	----	----	--	--	--------------

BUICK (SGM)

Model	Fuel	Trac.	CC	Kw	CV	Year	Notes
GL6 (SK4) 10.17-							MPV ()
18T (LI6,LIY)	Gasolina	FWD	1349	120	163	10.17-	*
VELITE 6 (SK5, SK6) 04.19-							[CAMBIADO]:Fastback (Compact car-C Segment)
PHEV (L2B)	Gasol./el éc.	FWD	1485	75	102	07.20-	*
PHEV	Gasol./el éc.	FWD	1485	135	184	07.20-	*
EV (TZ204XS85K02)	Eléctrico	FWD	0	85	116	04.19-	*
EV (TZ204XS105K04)	Eléctrico	FWD	0	110	150	10.19-	*

CHEVROLET (SGM)

MENLO (SK0) 02.20-							[CAMBIADO]:Fastback (Compact car-C Segment)
EV (TX204XS105K04)	Eléctrico	FWD		110	150	02.20-	*
ORLANDO (SK7) 09.18-							[CAMBIADO]:Fastback ()
1.3 530T (LI6,LIY)	Gasolina	FWD	1349	120	163	09.18-	*
530T Mild Hybrid	Gasol./el éc.	FWD	1349	120	163	06.20-	*

OPEL

ADAM (M13) 10.12-							[CAMBIADO]:Fastback (City car-A Segment)
1.0	Gasolina	FWD	996	50	68	07.13-	*
1.0 (B 10 XFL)	Gasolina	FWD	999	66	90	07.14-11.18	*
1.0 (D 10 XFL)	Gasolina	FWD	999	66	90	07.14-11.18	*
1.0 (B 10 XFT)	Gasolina	FWD	999	85	115	07.14-11.18	*
1.0 (D 10 XFT)	Gasolina	FWD	999	85	115	07.14-11.18	*

LISTA DE APLICACIONES - BUYERS GUIDE

1.2 (A 12 XEL)		Gasolina	FWD	1229	51	69	10.12-05.19	*
1.2 (B 12 XEL)		Gasolina	FWD	1229	51	69	10.12-05.19	*
1.2 (D 12 XEL)		Gasolina	FWD	1229	51	69	10.12-05.19	*
1.2		Gasolina	FWD	1242	69	94	07.13-	*
1.4 S (B 14 NEH)		Gasolina	FWD	1364	110	150	11.14-05.19	*
1.4 S (D 14 NEH)		Gasolina	FWD	1364	110	150	11.14-05.19	*
1.4 (A 14 XEL)		Gasolina	FWD	1398	64	87	10.12-05.19	*
1.4 (B 14 XEL)		Gasolina	FWD	1398	64	87	10.12-05.19	*
1.4 (D 14 XEL)		Gasolina	FWD	1398	64	87	10.12-05.19	*
1.4 (A 14 XER)		Gasolina	FWD	1398	74	101	10.12-05.19	*
1.4 (B 14 XER)		Gasolina	FWD	1398	74	101	10.12-05.19	*
1.4 (D 14 XER)		Gasolina	FWD	1398	74	101	10.12-05.19	*
1.4 LPG (A 14 XEL)		Gasol./Gas (LPG)	FWD	1398	64	87	07.13-11.18	*
1.4 LPG (B 14 XEL)		Gasol./Gas (LPG)	FWD	1398	64	87	07.13-11.18	*
1.4 LPG (D 14 XEL)		Gasol./Gas (LPG)	FWD	1398	64	87	07.13-11.18	*
[CAMBIADO]:Fastback (Supermini car-B Segment)								
CORSA E (X15) 09.14-								
1.0 (08, 68) (B 10 XFL)		Gasolina	FWD	999	66	90	09.14-	*
1.0 (08, 68) (D 10 XFL)		Gasolina	FWD	999	66	90	09.14-	*
1.0 (08, 68) (F 10 XFL)		Gasolina	FWD	999	66	90	09.14-	*
1.0 (08, 68) (B 10 XFT)		Gasolina	FWD	999	85	115	09.14-	*
1.0 (08, 68) (D 10 XFT)		Gasolina	FWD	999	85	115	09.14-	*
1.2 (08, 68) (B 12 XEL)		Gasolina	FWD	1229	51	69	09.14-	*
1.4 Turbo (08, 68) (B 14 NEJ)		Gasolina	FWD	1364	74	101	09.14-06.19	*
1.4 Turbo (08, 68) (D 14 NEJ)		Gasolina	FWD	1364	74	101	09.14-06.19	*
1.4 Turbo (08, 68) (B 14 NEH)		Gasolina	FWD	1364	110	150	03.15-	*
1.4 Turbo (08, 68) (D 14 NEH)		Gasolina	FWD	1364	110	150	03.15-	*
1.4 (08, 68) (B 14 XEJ)		Gasolina	FWD	1398	55	75	09.14-	*
1.4 (08, 68) (B 14 XEL)		Gasolina	FWD	1398	66	90	09.14-	*
1.4 (08, 68) (D 14 XEL)		Gasolina	FWD	1398	66	90	09.14-	*
1.6 Turbo (08, 68) (B 16 LER)		Gasolina	FWD	1598	152	207	03.15-	*
1.6 Turbo (08, 68) (B 16 LES)		Gasolina	FWD	1598	152	207	03.15-	*
1.4 LPG (08, 68) (B 14 XEL)		Gasol./Gas (LPG)	FWD	1398	64	87	11.15-	*
1.4 LPG (08, 68) (B 14 XEL)		Gasol./Gas (LPG)	FWD	1398	66	90	03.15-	*
1.3 CDTI (08, 68) (B 13 DTC)		Diesel	FWD	1248	55	75	09.14-	*
1.3 CDTI (08, 68) (B 13 DTN)		Diesel	FWD	1248	55	75	09.14-	*
1.3 CDTI (08, 68) (B 13 DTE)		Diesel	FWD	1248	70	95	09.14-	*
1.3 CDTI (08, 68) (B 13 DTR)		Diesel	FWD	1248	70	95	09.14-	*
Furgón/hatchback (LCVs-N1 Segment)								
CORSA E (X15) 09.14-								
1.2 (08) (B 12 XEL)		Gasolina	FWD	1229	51	69	01.15-	*
1.4 (08) (B 14 XEJ)		Gasolina	FWD	1398	55	75	09.14-	*
1.4 (08) (B 14 XEL)		Gasolina	FWD	1398	66	90	09.14-	*
1.3 CDTI (08) (B 13 DTC)		Diesel	FWD	1248	55	75	01.15-	*
1.3 CDTI (08) (B 13 DTN)		Diesel	FWD	1248	55	75	01.15-	*
1.3 CDTI (08) (B 13 DTE)		Diesel	FWD	1248	70	95	09.14-	*
1.3 CDTI (08) (B 13 DTR)		Diesel	FWD	1248	70	95	09.14-	*

VAUXHALL

LISTA DE APLICACIONES - BUYERS GUIDE

ADAM (M13) 10.12-					[CAMBIADO]:Fastback (City car-A Segment)			
1.0		Gasolina	FWD	998	66	90	07.14-	*
1.0 (B 10 XFT)		Gasolina	FWD	999	85	116	07.14-11.18	*
1.0 (D 10 XFT)		Gasolina	FWD	999	85	116	07.14-11.18	*
1.2 (A 12 XEL)		Gasolina	FWD	1229	51	69	10.12-04.19	*
1.2 (B 12 XEL)		Gasolina	FWD	1229	51	69	10.12-04.19	*
1.4 S (B 14 NEH)		Gasolina	FWD	1364	110	150	11.14-01.19	*
1.4 (A 14 XEL)		Gasolina	FWD	1398	64	87	10.12-02.19	*
1.4 (B 14 XEL)		Gasolina	FWD	1398	64	87	10.12-02.19	*
1.4 (A 14 XER)		Gasolina	FWD	1398	74	101	10.12-02.19	*
1.4 (B 14 XER)		Gasolina	FWD	1398	74	101	10.12-02.19	*
1.4 LPG		Gasol./Gas (LPG)	FWD	1398	64	87	07.13-	*
CORSA Mk IV (E) (X15) 08.14-					[CAMBIADO]:Fastback (Supermini car-B Segment)			
1.0 (B 10 XFL)		Gasolina	FWD	999	66	90	08.14-	*
1.0 (D 10 XFL)		Gasolina	FWD	999	66	90	08.14-	*
1.0 (F 10 XFL)		Gasolina	FWD	999	66	90	08.14-	*
1.0 (B 10 XFT)		Gasolina	FWD	999	85	116	08.14-	*
1.0 (D 10 XFT)		Gasolina	FWD	999	85	116	08.14-	*
1.2 (B 12 XEL)		Gasolina	FWD	1229	51	69	08.14-	*
1.4 (B 14 NEJ)		Gasolina	FWD	1364	74	101	08.14-	*
1.4 (D 14 NEJ)		Gasolina	FWD	1364	74	101	08.14-	*
1.4 (B 14 NEH)		Gasolina	FWD	1364	110	150	07.15-	*
1.4 (B 14 XEJ)		Gasolina	FWD	1398	55	75	09.14-	*
1.4 (B 14 XEL)		Gasolina	FWD	1398	66	90	08.14-	*
1.4 (D 14 XEL)		Gasolina	FWD	1398	66	90	08.14-	*
1.6 VXR (B 16 LES)		Gasolina	FWD	1598	151	205	04.15-	*
1.4 LPG		Gasol./Gas (LPG)	FWD	1398	66	90	08.14-	*
1.3 CDTi (B 13 DTC)		Diesel	FWD	1248	55	75	08.14-	*
1.3 CDTi (B 13 DTN)		Diesel	FWD	1248	55	75	08.14-	*
1.3 CDTi (B 13 DTE)		Diesel	FWD	1248	70	95	08.14-	*
1.3 CDTi (B 13 DTR)		Diesel	FWD	1248	70	95	08.14-	*
CORSAVAN Mk IV (E) (X15) 10.14-					Furgón/hatchback (LCVs-N1 Segment)			
1.2 (B 12 XEL)		Gasolina	FWD	1229	51	69	10.14-	*
1.4		Gasolina	FWD	1398	55	75	10.14-	*
1.3 CDTi (B 13 DTC)		Diesel	FWD	1248	55	75	10.14-	*
1.3 CDTi (B 13 DTN)		Diesel	FWD	1248	55	75	10.14-	*
1.3 CDTi (B 13 DTE)		Diesel	FWD	1248	70	95	10.14-	*
1.3 CDTi (B 13 DTR)		Diesel	FWD	1248	70	95	10.14-	*