

LISTA DE APLICACIONES - BUYERS GUIDE

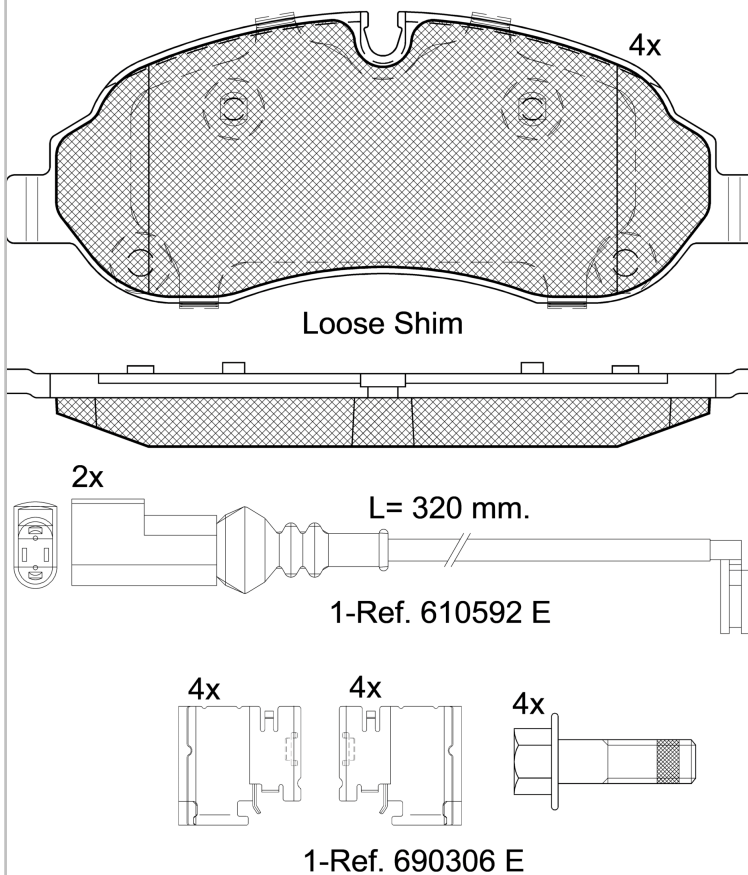
RB2217



Qty: 300

Weight: 1.960

O.E.M.	MAKE
1 824 121	FORD
1 829 400	FORD
1 840 479	FORD
2 005 967	FORD
2 005 987	FORD
2 006 026	FORD
2 006 028	FORD
2 391 870	FORD
2 511 705	FORD
2511669	FORD
2600766	FORD
BK31-2K021-AA	FORD
BK31-2K021-AB	FORD
BK31-2K021-AC	FORD
BK31-2K021-AD	FORD
BK31-2K021-AE	FORD
BK31-2K021-AF	FORD
CK4Z-2001-A	FORD
KTJK21-2K021-GB	FORD
MEBK3J-2K021-AA	FORD
MEMK3J2K021A1A	FORD



RB2217

E 9 90R-02A0111/4344



Akebono

171.85x66.3x17.2

WVA 22034	FMSI D1774-9004
Sin Filas	



Trac.	CC	Kw	CV					
						Front / Rear		

FORD

ECOSPORT II 09.11-							SUV (Mini SUV-J Segment)		
1.5 EcoBlue TDCi (Z2JA)	Diesel	FWD	1499	74	100	11.17-			
TOURNEO CUSTOM V362 (F3) 09.12-							Bus (Minibus-M2-Segment)		
1.0 EcoBoost PHEV (M1FA)	Gasol./el éc.	FWD	996	92	125	04.20-12.23			*
2.0 EcoBlue mHEV (BKFC)	Diesel/el éc.	FWD	1995	96	130	05.19-12.23			*
2.0 EcoBlue mHEV (BKFD)	Diesel/el éc.	FWD	1995	96	130	05.19-12.23			*
2.0 EcoBlue mHEV	Diesel/el éc.	FWD	1995	110	150	01.22-12.23			*
2.0 EcoBlue mHEV (BCFC)	Diesel/el éc.	FWD	1995	136	185	05.19-12.23			*
2.0 EcoBlue mHEV (BCFD)	Diesel/el éc.	FWD	1995	136	185	05.19-12.23			*
2.0 EcoBlue (BJFA)	Diesel	FWD	1995	77	105	12.15-12.23			*
2.0 EcoBlue (BJFB)	Diesel	FWD	1995	77	105	12.15-12.23			*
2.0 EcoBlue (YLF6)	Diesel	FWD	1995	77	105	12.15-12.23			*
2.0 EcoBlue (YLFA)	Diesel	FWD	1995	77	105	12.15-12.23			*
2.0 EcoBlue (YLFB)	Diesel	FWD	1995	77	105	12.15-12.23			*
2.0 EcoBlue (YLFS)	Diesel	FWD	1995	77	105	12.15-12.23			*
2.0 EcoBlue (BKFA)	Diesel	FWD	1995	96	130	12.15-12.23			*
2.0 EcoBlue (BKFB)	Diesel	FWD	1995	96	130	12.15-12.23			*
2.0 EcoBlue (YMF6)	Diesel	FWD	1995	96	130	12.15-12.23			*
2.0 EcoBlue (YMFA)	Diesel	FWD	1995	96	130	12.15-12.23			*
2.0 EcoBlue (YMFB)	Diesel	FWD	1995	96	130	12.15-12.23			*
2.0 EcoBlue (YMFS)	Diesel	FWD	1995	96	130	12.15-12.23			*

LISTA DE APLICACIONES - BUYERS GUIDE

2.0 EcoBlue		Diesel	FWD	1995	110	150	01.22-12.23	*
2.0 EcoBlue (BLFA)		Diesel	FWD	1995	125	170	12.15-12.23	*
2.0 EcoBlue (BLFB)		Diesel	FWD	1995	125	170	12.15-12.23	*
2.0 EcoBlue (YNF6)		Diesel	FWD	1995	125	170	12.15-12.23	*
2.0 EcoBlue (YNFA)		Diesel	FWD	1995	125	170	12.15-12.23	*
2.0 EcoBlue (YNFB)		Diesel	FWD	1995	125	170	12.15-12.23	*
2.0 EcoBlue (YNFS)		Diesel	FWD	1995	125	170	12.15-12.23	*
2.0 EcoBlue (BCFA)		Diesel	FWD	1995	136	185	05.19-12.23	*
2.0 EcoBlue (BCFB)		Diesel	FWD	1995	136	185	05.19-12.23	*
2.2 TDCi (DRF4)		Diesel	FWD	2198	74	100	09.12-12.15	*
2.2 TDCi (DRFF)		Diesel	FWD	2198	74	100	09.12-12.15	*
2.2 TDCi (DRFG)		Diesel	FWD	2198	74	100	09.12-12.15	*
2.2 TDCi (CYF4)		Diesel	FWD	2198	92	125	09.12-12.15	*
2.2 TDCi (CYFF)		Diesel	FWD	2198	92	125	09.12-12.15	*
2.2 TDCi (CVFF)		Diesel	FWD	2198	114	155	09.12-12.15	*
TRANSIT V (FD_ , FB_ , FS_ , FZ_ , FC_) 04.06-					Bus (Minibus-M2-Segment)			
2.2 TDCi RWD (CVRC)		Diesel	RWD	2198	114	155	10.11-08.14	*
TRANSIT VI V363 (FCD, FDD) 08.13-					[CAMBIADO]:Furgón (LCVs-N1 Segment)			
3.5 EcoBoost RWD (998)		Gasolina	RWD	3496	231	314	01.18-	*
3.7 RWD		Gasolina	RWD	3726	205	279	09.15-12.19	*
3.7 LPG RWD (99M)		Gasol./G as (LPG)	RWD	3726	198	269	07.14-	*
3.7 LPG RWD (99M)		Gasol./G as (LPG)	RWD	3726	205	279	11.17-	*
3.7 CNG RWD (99M)		Gasol./G as (CNG)	RWD	3726	198	269	07.14-	*
3.7 CNG RWD (99M)		Gasol./G as (CNG)	RWD	3726	205	279	11.17-	*
3.7 FLEX RWD (99M)		Gasol./Et anol	RWD	3726	198	269	07.14-	*
3.7 FLEX RWD (99M)		Gasol./Et anol	RWD	3726	205	279	11.17-	*
E-TRANSIT		Eléctrico	RWD		135	184	03.22-06.25	*
E-TRANSIT		Eléctrico	RWD		198	269	03.22-06.25	*
2.0 EcoBlue mHEV (BKFC)		Diesel/el éc.	FWD	1995	96	130	05.19-	*
2.0 EcoBlue mHEV (BKFD)		Diesel/el éc.	FWD	1995	96	130	05.19-	*
2.0 EcoBlue mHEV RWD (BKR B)		Diesel/el éc.	RWD	1995	96	130	05.19-	*
2.0 EcoBlue mHEV (BLFC)		Diesel/el éc.	FWD	1995	125	170	05.19-06.24	*
2.0 EcoBlue mHEV (BLFD)		Diesel/el éc.	FWD	1995	125	170	05.19-06.24	*
2.0 EcoBlue mHEV RWD (BLR B)		Diesel/el éc.	RWD	1995	125	170	05.19-06.24	*
2.0 EcoBlue (BJFA)		Diesel	FWD	1995	77	105	03.16-	*
2.0 EcoBlue (BJFB)		Diesel	FWD	1995	77	105	03.16-	*
2.0 EcoBlue (YLF6)		Diesel	FWD	1995	77	105	03.16-	*
2.0 EcoBlue (YLFA)		Diesel	FWD	1995	77	105	03.16-	*
2.0 EcoBlue (YLFB)		Diesel	FWD	1995	77	105	03.16-	*
2.0 EcoBlue (YLFS)		Diesel	FWD	1995	77	105	03.16-	*
2.0 EcoBlue RWD (BJRA)		Diesel	RWD	1995	77	105	03.16-	*
2.0 EcoBlue RWD (YLR6)		Diesel	RWD	1995	77	105	03.16-	*
2.0 EcoBlue RWD (YLRA)		Diesel	RWD	1995	77	105	03.16-	*
2.0 EcoBlue (BKFA)		Diesel	FWD	1995	96	130	03.16-	*

LISTA DE APLICACIONES - BUYERS GUIDE

2.0 EcoBlue (BKFB)	Diesel	FWD	1995	96	130	03.16-	*
2.0 EcoBlue (YMF6)	Diesel	FWD	1995	96	130	03.16-	*
2.0 EcoBlue (YMFA)	Diesel	FWD	1995	96	130	03.16-	*
2.0 EcoBlue (YMFB)	Diesel	FWD	1995	96	130	03.16-	*
2.0 EcoBlue (YMFS)	Diesel	FWD	1995	96	130	03.16-	*
2.0 EcoBlue 4x4 (BKRA)	Diesel	4WD	1995	96	130	01.17-	*
2.0 EcoBlue 4x4 (YMR6)	Diesel	4WD	1995	96	130	01.17-	*
2.0 EcoBlue 4x4 (YMRA)	Diesel	4WD	1995	96	130	01.17-	*
2.0 EcoBlue RWD (BKRA)	Diesel	RWD	1995	96	130	03.16-	*
2.0 EcoBlue RWD (YMHA)	Diesel	RWD	1995	96	130	03.16-	*
2.0 EcoBlue RWD (YMR6)	Diesel	RWD	1995	96	130	03.16-	*
2.0 EcoBlue	Diesel	FWD	1995	114	155	05.22-	*
2.0 EcoBlue	Diesel	FWD	1995	118	160	01.21-	*
2.0 EcoBlue	Diesel	FWD	1995	121	165	07.23-	*
2.0 EcoBlue 4x4	Diesel	4WD	1995	121	165	07.23-	*
2.0 EcoBlue RWD	Diesel	RWD	1995	121	165	05.22-	*
2.0 EcoBlue (BLFA)	Diesel	FWD	1995	125	170	03.16-06.24	*
2.0 EcoBlue (BLFB)	Diesel	FWD	1995	125	170	03.16-06.24	*
2.0 EcoBlue (YNF6)	Diesel	FWD	1995	125	170	03.16-06.24	*
2.0 EcoBlue (YNFA)	Diesel	FWD	1995	125	170	03.16-06.24	*
2.0 EcoBlue (YNFB)	Diesel	FWD	1995	125	170	03.16-06.24	*
2.0 EcoBlue (YNFS)	Diesel	FWD	1995	125	170	03.16-06.24	*
2.0 EcoBlue 4x4 (BLRA)	Diesel	4WD	1995	125	170	01.17-06.24	*
2.0 EcoBlue 4x4 (YNR6)	Diesel	4WD	1995	125	170	01.17-06.24	*
2.0 EcoBlue 4x4 (YNRA)	Diesel	4WD	1995	125	170	01.17-06.24	*
2.0 EcoBlue RWD (BLHA)	Diesel	RWD	1995	125	170	03.16-06.24	*
2.0 EcoBlue RWD (BLRA)	Diesel	RWD	1995	125	170	03.16-06.24	*
2.0 EcoBlue RWD (YNR6)	Diesel	RWD	1995	125	170	03.16-06.24	*
2.0 EcoBlue (BCFB)	Diesel	FWD	1995	136	185	05.19-	*
2.0 EcoBlue RWD (BCRA)	Diesel	RWD	1995	136	185	05.19-	*
2.2 TDCi (DRF5)	Diesel	FWD	2198	74	100	08.13-12.18	*
2.2 TDCi (DRFF)	Diesel	FWD	2198	74	100	08.13-12.18	*
2.2 TDCi (DRFG)	Diesel	FWD	2198	74	100	08.13-12.18	*
2.2 TDCi RWD (DRR5)	Diesel	RWD	2198	74	100	08.13-12.18	*
2.2 TDCi (CY14)	Diesel	FWD	2198	92	125	08.13-12.18	*
2.2 TDCi (CYF5)	Diesel	FWD	2198	92	125	08.13-12.18	*
2.2 TDCi (CYFG)	Diesel	FWD	2198	92	125	08.13-12.18	*
2.2 TDCi (USF6)	Diesel	FWD	2198	92	125	08.13-12.18	*
2.2 TDCi 4x4 (CY24)	Diesel	4WD	2198	92	125	08.13-12.18	*
2.2 TDCi 4x4 (CYR5)	Diesel	4WD	2198	92	125	08.13-12.18	*
2.2 TDCi RWD (CYR5)	Diesel	RWD	2198	92	125	08.13-12.18	*
2.2 TDCi RWD (USR6)	Diesel	RWD	2198	92	125	08.13-12.18	*
2.2 TDCi (CVF5)	Diesel	FWD	2198	114	155	08.13-12.18	*
2.2 TDCi 4x4 (CV24)	Diesel	4WD	2198	114	155	08.15-12.18	*
2.2 TDCi 4x4 (CVR5)	Diesel	4WD	2198	114	155	08.15-12.18	*
2.2 TDCi RWD (CV24)	Diesel	RWD	2198	114	155	08.13-12.18	*
2.2 TDCi RWD (CVR5)	Diesel	RWD	2198	114	155	08.13-12.18	*
2.2 TDCi RWD (UYR6)	Diesel	RWD	2198	114	155	08.13-12.18	*
3.2 TDCi RWD (99V)	Diesel	RWD	3193	138	188	01.15-	*
TRANSIT VI V363 (FAD, FBD) 08.13-				Bus (Minibus-M2-Segment)			
3.5 EcoBoost RWD (998)	Gasolina	RWD	3496	231	314	01.18-	*

LISTA DE APLICACIONES - BUYERS GUIDE

3.7 RWD (C37PDED)		Gasolina	RWD	3726	205	279	09.15-12.19	*
3.7 LPG RWD (99M)		Gasol./Gas (LPG)	RWD	3726	198	269	07.14-	*
3.7 LPG RWD (99M)		Gasol./Gas (LPG)	RWD	3726	205	279	11.17-	*
3.7 CNG RWD (99M)		Gasol./Gas (CNG)	RWD	3726	198	269	07.14-	*
3.7 CNG RWD (99M)		Gasol./Gas (CNG)	RWD	3726	205	279	11.17-	*
3.7 FLEX RWD (99M)		Gasol./Etanol	RWD	3726	198	269	07.14-	*
3.7 FLEX RWD (99M)		Gasol./Etanol	RWD	3726	205	279	11.17-	*
2.0 EcoBlue mHEV (BKFC)		Diesel/eléc.	FWD	1995	96	130	05.19-	*
2.0 EcoBlue mHEV (BKFD)		Diesel/eléc.	FWD	1995	96	130	05.19-	*
2.0 EcoBlue mHEV		Diesel/eléc.	FWD	1995	110	150	10.21-	*
2.0 EcoBlue mHEV (BLFC)		Diesel/eléc.	FWD	1995	125	170	05.19-06.24	*
2.0 EcoBlue mHEV (BLFD)		Diesel/eléc.	FWD	1995	125	170	05.19-06.24	*
2.0 EcoBlue (BJFA)		Diesel	FWD	1995	77	105	03.16-	*
2.0 EcoBlue (BJFB)		Diesel	FWD	1995	77	105	03.16-	*
2.0 EcoBlue (YL6)		Diesel	FWD	1995	77	105	03.16-	*
2.0 EcoBlue (YLFA)		Diesel	FWD	1995	77	105	03.16-	*
2.0 EcoBlue (YLFB)		Diesel	FWD	1995	77	105	03.16-	*
2.0 EcoBlue (YLFS)		Diesel	FWD	1995	77	105	03.16-	*
2.0 EcoBlue (BKFA)		Diesel	FWD	1995	96	130	03.16-	*
2.0 EcoBlue (BKFB)		Diesel	FWD	1995	96	130	03.16-	*
2.0 EcoBlue (YMF6)		Diesel	FWD	1995	96	130	03.16-	*
2.0 EcoBlue (YMFA)		Diesel	FWD	1995	96	130	03.16-	*
2.0 EcoBlue (YMFB)		Diesel	FWD	1995	96	130	03.16-	*
2.0 EcoBlue (YMFS)		Diesel	FWD	1995	96	130	03.16-	*
2.0 EcoBlue RWD (YMHA)		Diesel	RWD	1995	96	130	05.19-	*
2.0 EcoBlue		Diesel	FWD	1995	110	150	10.21-	*
2.0 EcoBlue		Diesel	FWD	1995	121	165	07.23-	*
2.0 EcoBlue RWD		Diesel	RWD	1995	121	165	05.22-	*
2.0 EcoBlue (BLFA)		Diesel	FWD	1995	125	170	03.16-06.24	*
2.0 EcoBlue (BLFB)		Diesel	FWD	1995	125	170	03.16-06.24	*
2.0 EcoBlue (YNF6)		Diesel	FWD	1995	125	170	03.16-06.24	*
2.0 EcoBlue (YNFA)		Diesel	FWD	1995	125	170	03.16-06.24	*
2.0 EcoBlue (YNFB)		Diesel	FWD	1995	125	170	03.16-06.24	*
2.0 EcoBlue (YNFS)		Diesel	FWD	1995	125	170	03.16-06.24	*
2.0 EcoBlue RWD (BLHA)		Diesel	RWD	1995	125	170	05.19-06.24	*
2.2 TDCi (DRF5)		Diesel	FWD	2198	74	100	08.13-12.18	*
2.2 TDCi (DRFF)		Diesel	FWD	2198	74	100	08.13-12.18	*
2.2 TDCi (DRFG)		Diesel	FWD	2198	74	100	08.13-12.18	*
2.2 TDCi RWD (DRR5)		Diesel	RWD	2198	74	100	08.13-12.18	*
2.2 TDCi (CY14)		Diesel	FWD	2198	92	125	08.13-12.18	*
2.2 TDCi (CYF5)		Diesel	FWD	2198	92	125	08.13-12.18	*
2.2 TDCi (CYFG)		Diesel	FWD	2198	92	125	08.13-12.18	*
2.2 TDCi (USF6)		Diesel	FWD	2198	92	125	08.13-12.18	*
2.2 TDCi 4x4 (CY24)		Diesel	4WD	2198	92	125	08.13-12.18	*
2.2 TDCi 4x4 (CYR5)		Diesel	4WD	2198	92	125	08.13-12.18	*

LISTA DE APLICACIONES - BUYERS GUIDE

2.2 TDCi RWD (CYR5)		Diesel	RWD	2198	92	125	08.13-12.18	*	
2.2 TDCi RWD (USR6)		Diesel	RWD	2198	92	125	08.13-12.18	*	
2.2 TDCi RWD (UHR5)		Diesel	RWD	2198	99	135	08.13-	*	
2.2 TDCi (CVF5)		Diesel	FWD	2198	114	155	12.14-12.18	*	
2.2 TDCi A las 4 ruedas		Diesel	4WD	2198	114	155	08.15-12.18	*	
2.2 TDCi RWD (CV24)		Diesel	RWD	2198	114	155	08.13-12.18	*	
2.2 TDCi RWD (CVR5)		Diesel	RWD	2198	114	155	08.13-12.18	*	
2.2 TDCi RWD (UYR6)		Diesel	RWD	2198	114	155	08.13-12.18	*	
3.2 TDCi RWD (99V)		Diesel	RWD	3193	138	188	01.15-	*	
TRANSIT VI V363 (FED, FFD) 08.13-					Caja/Chasis (LCVs-N1 Segment)				
3.5 EcoBoost RWD		Gasolina	RWD	3496	231	314	01.18-	*	
3.7 LPG (RWD (99M)		Gasol./G as (LPG)	RWD	3726	198	269	07.14-	*	
3.7 CNG RWD		Gasol./G as (CNG)	RWD	3726	198	269	07.14-	*	
3.7 FLEX RWD (99M)		Gasol./Et anol	RWD	3726	198	269	07.14-	*	
E-TRANSIT		Eléctrico	RWD		135	184	03.22-06.25	*	
E-TRANSIT		Eléctrico	RWD		198	269	03.22-06.25	*	
2.0 EcoBlue mHEV (BKFC)		Diesel/el éc.	FWD	1995	96	130	05.19-	*	
2.0 EcoBlue mHEV (BKFD)		Diesel/el éc.	FWD	1995	96	130	05.19-	*	
2.0 EcoBlue mHEV RWD (BKRB)		Diesel/el éc.	RWD	1995	96	130	05.19-	*	
2.0 EcoBlue mHEV (BLFC)		Diesel/el éc.	FWD	1995	125	170	05.19-06.24	*	
2.0 EcoBlue mHEV (BLFD)		Diesel/el éc.	FWD	1995	125	170	05.19-06.24	*	
2.0 EcoBlue mHEV RWD (BLRB)		Diesel/el éc.	RWD	1995	125	170	05.19-06.24	*	
2.0 EcoBlue (BJFA)		Diesel	FWD	1995	77	105	03.16-	*	
2.0 EcoBlue (BJFB)		Diesel	FWD	1995	77	105	03.16-	*	
2.0 EcoBlue (YLF6)		Diesel	FWD	1995	77	105	03.16-	*	
2.0 EcoBlue (YLFA)		Diesel	FWD	1995	77	105	03.16-	*	
2.0 EcoBlue (YLFB)		Diesel	FWD	1995	77	105	03.16-	*	
2.0 EcoBlue (YLFS)		Diesel	FWD	1995	77	105	03.16-	*	
2.0 EcoBlue RWD (BJRA)		Diesel	RWD	1995	77	105	03.16-	*	
2.0 EcoBlue RWD (YLR6)		Diesel	RWD	1995	77	105	03.16-	*	
2.0 EcoBlue RWD (YLRA)		Diesel	RWD	1995	77	105	03.16-	*	
2.0 EcoBlue (BKFA)		Diesel	FWD	1995	96	130	03.16-	*	
2.0 EcoBlue (BKFB)		Diesel	FWD	1995	96	130	03.16-	*	
2.0 EcoBlue (YMF6)		Diesel	FWD	1995	96	130	03.16-	*	
2.0 EcoBlue (YMFA)		Diesel	FWD	1995	96	130	03.16-	*	
2.0 EcoBlue (YMFB)		Diesel	FWD	1995	96	130	03.16-	*	
2.0 EcoBlue (YMFS)		Diesel	FWD	1995	96	130	03.16-	*	
2.0 EcoBlue 4x4 (BKRA)		Diesel	4WD	1995	96	130	01.17-	*	
2.0 EcoBlue 4x4 (YMR6)		Diesel	4WD	1995	96	130	01.17-	*	
2.0 EcoBlue 4x4 (YMRA)		Diesel	4WD	1995	96	130	01.17-	*	
2.0 EcoBlue RWD (BKRA)		Diesel	RWD	1995	96	130	03.16-	*	
2.0 EcoBlue RWD (YMHA)		Diesel	RWD	1995	96	130	03.16-	*	
2.0 EcoBlue RWD (YMR6)		Diesel	RWD	1995	96	130	03.16-	*	
2.0 EcoBlue		Diesel	FWD	1995	114	155	05.22-	*	
2.0 EcoBlue		Diesel	FWD	1995	118	160	01.21-	*	
2.0 EcoBlue		Diesel	FWD	1995	121	165	07.23-	*	

LISTA DE APLICACIONES - BUYERS GUIDE

2.0 EcoBlue 4x4		Diesel	4WD	1995	121	165	07.23-	*
2.0 EcoBlue RWD		Diesel	RWD	1995	121	165	05.22-	*
2.0 EcoBlue (BLFA)		Diesel	FWD	1995	125	170	03.16-06.24	*
2.0 EcoBlue (BLFB)		Diesel	FWD	1995	125	170	03.16-06.24	*
2.0 EcoBlue (YNF6)		Diesel	FWD	1995	125	170	03.16-06.24	*
2.0 EcoBlue (YNFA)		Diesel	FWD	1995	125	170	03.16-06.24	*
2.0 EcoBlue (YNFB)		Diesel	FWD	1995	125	170	03.16-06.24	*
2.0 EcoBlue (YNFS)		Diesel	FWD	1995	125	170	03.16-06.24	*
2.0 EcoBlue 4x4 (BLRA)		Diesel	4WD	1995	125	170	01.17-06.24	*
2.0 EcoBlue 4x4 (YNR6)		Diesel	4WD	1995	125	170	01.17-06.24	*
2.0 EcoBlue 4x4 (YNRA)		Diesel	4WD	1995	125	170	01.17-06.24	*
2.0 EcoBlue RWD (BLHA)		Diesel	RWD	1995	125	170	03.16-06.24	*
2.0 EcoBlue RWD (BLRA)		Diesel	RWD	1995	125	170	03.16-06.24	*
2.0 EcoBlue RWD (YNR6)		Diesel	RWD	1995	125	170	03.16-06.24	*
2.0 EcoBlue (BCFB)		Diesel	FWD	1995	136	185	05.19-	*
2.0 EcoBlue RWD (BCRA)		Diesel	RWD	1995	136	185	05.19-	*
2.2 TDCi (DRF5)		Diesel	FWD	2198	74	100	08.13-12.18	*
2.2 TDCi (DRFF)		Diesel	FWD	2198	74	100	08.13-12.18	*
2.2 TDCi (DRFG)		Diesel	FWD	2198	74	100	08.13-12.18	*
2.2 TDCi RWD (DRR5)		Diesel	RWD	2198	74	100	08.13-12.18	*
2.2 TDCi (CY14)		Diesel	FWD	2198	92	125	08.13-12.18	*
2.2 TDCi (CYF5)		Diesel	FWD	2198	92	125	08.13-12.18	*
2.2 TDCi (CYFG)		Diesel	FWD	2198	92	125	08.13-12.18	*
2.2 TDCi (USF6)		Diesel	FWD	2198	92	125	08.13-12.18	*
2.2 TDCi 4x4 (CY24)		Diesel	4WD	2198	92	125	08.13-12.18	*
2.2 TDCi 4x4 (CYR5)		Diesel	4WD	2198	92	125	08.13-12.18	*
2.2 TDCi RWD (CYR5)		Diesel	RWD	2198	92	125	08.13-12.18	*
2.2 TDCi RWD (USR6)		Diesel	RWD	2198	92	125	08.13-12.18	*
2.2 TDCi RWD (UHR5)		Diesel	RWD	2198	99	135	08.13-12.18	*
2.2 TDCi (CVF5)		Diesel	FWD	2198	114	155	08.13-12.18	*
2.2 TDCi 4x4 (CV24)		Diesel	4WD	2198	114	155	08.13-12.18	*
2.2 TDCi 4x4 (CVR5)		Diesel	4WD	2198	114	155	08.13-12.18	*
2.2 TDCi RWD (CV24)		Diesel	RWD	2198	114	155	08.13-12.18	*
2.2 TDCi RWD (CVR5)		Diesel	RWD	2198	114	155	08.13-12.18	*
2.2 TDCi RWD (UYR6)		Diesel	RWD	2198	114	155	08.13-12.18	*
3.2 TDCi RWD (99V)		Diesel	RWD	3193	138	188	01.15-	*
TRANSIT CUSTOM V362 (FY, FZ) 09.12-					[CAMBIADO]:Furgón (LCVs-N1 Segment)			
1.0 EcoBoost PHEV (M1FA)		Gasol./el éc.	FWD	996	92	125	04.20-12.23	*
2.0 EcoBlue mHEV (BKFC)		Diesel/el éc.	FWD	1995	96	130	05.19-12.23	*
2.0 EcoBlue mHEV (BKFD)		Diesel/el éc.	FWD	1995	96	130	05.19-12.23	*
2.0 EcoBlue mHEV (BLFC)		Diesel/el éc.	FWD	1995	125	170	05.19-12.23	*
2.0 EcoBlue mHEV (BLFD)		Diesel/el éc.	FWD	1995	125	170	05.19-12.23	*
2.0 EcoBlue mHEV (BCFC)		Diesel/el éc.	FWD	1995	136	185	05.19-12.23	*
2.0 EcoBlue mHEV (BCFD)		Diesel/el éc.	FWD	1995	136	185	05.19-12.23	*
2.0 EcoBlue (BJFA)		Diesel	FWD	1995	77	105	12.15-12.23	*
2.0 EcoBlue (BJFB)		Diesel	FWD	1995	77	105	12.15-12.23	*
2.0 EcoBlue (YLF6)		Diesel	FWD	1995	77	105	12.15-12.23	*
2.0 EcoBlue (YLFA)		Diesel	FWD	1995	77	105	12.15-12.23	*

LISTA DE APLICACIONES - BUYERS GUIDE

2.0 EcoBlue (YLFB)		Diesel	FWD	1995	77	105	12.15-12.23	*
2.0 EcoBlue (YLFS)		Diesel	FWD	1995	77	105	12.15-12.23	*
2.0 EcoBlue (BKFA)		Diesel	FWD	1995	96	130	12.15-12.23	*
2.0 EcoBlue (BKFB)		Diesel	FWD	1995	96	130	12.15-12.23	*
2.0 EcoBlue (YMF6)		Diesel	FWD	1995	96	130	12.15-12.23	*
2.0 EcoBlue (YMFA)		Diesel	FWD	1995	96	130	12.15-12.23	*
2.0 EcoBlue (YMFB)		Diesel	FWD	1995	96	130	12.15-12.23	*
2.0 EcoBlue (YMFS)		Diesel	FWD	1995	96	130	12.15-12.23	*
2.0 EcoBlue (BLFA)		Diesel	FWD	1995	125	170	12.15-12.23	*
2.0 EcoBlue (BLFB)		Diesel	FWD	1995	125	170	12.15-12.23	*
2.0 EcoBlue (YNF6)		Diesel	FWD	1995	125	170	12.15-12.23	*
2.0 EcoBlue (YNFA)		Diesel	FWD	1995	125	170	12.15-12.23	*
2.0 EcoBlue (YNFB)		Diesel	FWD	1995	125	170	12.15-12.23	*
2.0 EcoBlue (YNFS)		Diesel	FWD	1995	125	170	12.15-12.23	*
2.0 EcoBlue (BCFA)		Diesel	FWD	1995	136	185	05.19-12.23	*
2.0 EcoBlue (BCFB)		Diesel	FWD	1995	136	185	05.19-12.23	*
2.2 TDCi (DRF4)		Diesel	FWD	2198	74	100	09.12-06.16	*
2.2 TDCi (DRFF)		Diesel	FWD	2198	74	100	09.12-06.16	*
2.2 TDCi (DRFG)		Diesel	FWD	2198	74	100	09.12-06.16	*
2.2 TDCi (CYF4)		Diesel	FWD	2198	92	125	09.12-12.23	*
2.2 TDCi (CYFF)		Diesel	FWD	2198	92	125	09.12-12.23	*
2.2 TDCi (CVFF)		Diesel	FWD	2198	114	155	09.12-12.15	*
TRANSIT CUSTOM V362 (F3) 04.12-						Bus (Minibus-M2-Segment)		
1.0 EcoBoost PHEV (M1FA)		Gasol./el éc.	FWD	996	92	125	04.20-12.23	*
2.0 EcoBlue mHEV (BJFC)		Diesel/el éc.	FWD	1995	77	105	05.19-12.23	*
2.0 EcoBlue mHEV (BJFD)		Diesel/el éc.	FWD	1995	77	105	05.19-12.23	*
2.0 EcoBlue mHEV (BKFC)		Diesel/el éc.	FWD	1995	96	130	05.19-12.23	*
2.0 EcoBlue mHEV (BKFD)		Diesel/el éc.	FWD	1995	96	130	05.19-12.23	*
2.0 EcoBlue mHEV		Diesel/el éc.	FWD	1995	110	150	01.22-12.23	*
2.0 EcoBlue mHEV (BLFC)		Diesel/el éc.	FWD	1995	125	170	05.19-12.23	*
2.0 EcoBlue mHEV (BLFD)		Diesel/el éc.	FWD	1995	125	170	05.19-12.23	*
2.0 EcoBlue mHEV (BCFC)		Diesel/el éc.	FWD	1995	136	185	05.19-12.23	*
2.0 EcoBlue mHEV (BCFD)		Diesel/el éc.	FWD	1995	136	185	05.19-12.23	*
2.0 EcoBlue (BJFA)		Diesel	FWD	1995	77	105	12.15-12.23	*
2.0 EcoBlue (BJFB)		Diesel	FWD	1995	77	105	12.15-12.23	*
2.0 EcoBlue (YLF6)		Diesel	FWD	1995	77	105	12.15-12.23	*
2.0 EcoBlue (YLFA)		Diesel	FWD	1995	77	105	12.15-12.23	*
2.0 EcoBlue (YLFB)		Diesel	FWD	1995	77	105	12.15-12.23	*
2.0 EcoBlue (YLFS)		Diesel	FWD	1995	77	105	12.15-12.23	*
2.0 EcoBlue (BKFA)		Diesel	FWD	1995	96	130	12.15-12.23	*
2.0 EcoBlue (BKFB)		Diesel	FWD	1995	96	130	12.15-12.23	*
2.0 EcoBlue (YMF6)		Diesel	FWD	1995	96	130	12.15-12.23	*
2.0 EcoBlue (YMFA)		Diesel	FWD	1995	96	130	12.15-12.23	*
2.0 EcoBlue (YMFB)		Diesel	FWD	1995	96	130	12.15-12.23	*
2.0 EcoBlue (YMFS)		Diesel	FWD	1995	96	130	12.15-12.23	*
2.0 EcoBlue		Diesel	FWD	1995	110	150	01.22-12.23	*
2.0 EcoBlue (BLFA)		Diesel	FWD	1995	125	170	12.15-12.23	*

LISTA DE APLICACIONES - BUYERS GUIDE

2.0 EcoBlue (BLFB)	Diesel	FWD	1995	125	170	12.15-12.23	*
2.0 EcoBlue (YNF6)	Diesel	FWD	1995	125	170	12.15-12.23	*
2.0 EcoBlue (YNFA)	Diesel	FWD	1995	125	170	12.15-12.23	*
2.0 EcoBlue (YNFB)	Diesel	FWD	1995	125	170	12.15-12.23	*
2.0 EcoBlue (YNFS)	Diesel	FWD	1995	125	170	12.15-12.23	*
2.0 EcoBlue (BCFA)	Diesel	FWD	1995	136	185	05.19-12.23	*
2.0 EcoBlue (BCFB)	Diesel	FWD	1995	136	185	05.19-12.23	*
2.2 TDCi (DRF4)	Diesel	FWD	2198	74	100	09.12-06.16	*
2.2 TDCi (DRFF)	Diesel	FWD	2198	74	100	09.12-06.16	*
2.2 TDCi (DRFG)	Diesel	FWD	2198	74	100	09.12-06.16	*
2.2 TDCi (CYF4)	Diesel	FWD	2198	92	125	09.12-12.15	*
2.2 TDCi (CYFF)	Diesel	FWD	2198	92	125	09.12-12.15	*
2.2 TDCi (CVFF)	Diesel	FWD	2198	114	155	09.12-12.15	*

FORD (JMC)

TOURNEO 05.16-

MPV (Large MPV-M1 Segment)

2.0 T (4G20-B5L)	Gasolina	FWD	1997	149	203	05.16-	*
------------------	----------	-----	------	-----	-----	--------	---

FORD AUSTRALIA

TRANSIT (VO) 09.14-

[CAMBIADO]:Furgón (LCVs-N1 Segment)

2.0 TDCi (YNF6)	Diesel	FWD	1995	125	170	03.17-	*
2.2 TDCi	Diesel	RWD	2198	114	155	09.14-	*

TRANSIT (VO) 09.14-

Caja/Chasis (LCVs-N1 Segment)

2.2 TDCi	Diesel	RWD	2198	114	155	09.14-	*
----------	--------	-----	------	-----	-----	--------	---