

# LISTA DE APLICACIONES - BUYERS GUIDE

## RB2216

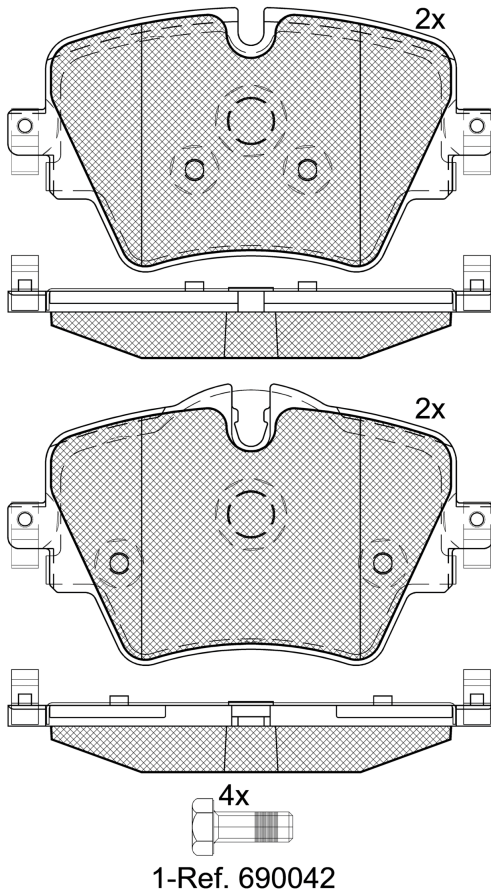


8 424073 139702

Qty: 300

Weight: 1.880

O.E.M.	MAKE
04465-WAA02	TOYOTA
34 10 6 860 019	MINI
34 10 6 872 418	MINI
34 10 6 876 245	MINI
34 10 6 882 418	BMW
34 10 6 884 492	BMW
34 10 6 884 497	BMW
34 10 6 885 521	BMW
34 10 6 888 777	BMW
34 10 6 888 778	BMW
34 10 6 898 307	BMW
34 11 6 866 309	MINI
34 11 6 882 418	MINI
34 11 6 890 553	BMW
6 884 497	BMW
6 885 521	BMW



## RB2216

**E 9** 90R-02A0111/4339



Trw

129.1x70.2x18.4
129.1x74.7x18.4

VVA	FMSI
22216	D1892-9120
22217	D2244-9120

Sin Filas



Trac.	CC	Kw	CV	Front / Rear
-------	----	----	----	--------------

### BMW

#### 1 Serie II (F52) 01.17-

					Sedán (Compact car-C Segment)			
120 i		Gasolina	FWD	1998	141	192	06.18-	*

#### 1 Serie III (F40) 07.19-

					[CAMBIADO]:Fastback (Compact car-C Segment)			
116 i (B38 A15 A)		Gasolina	FWD	1499	80	109	11.20-	*
118 i (B38 A15 A)		Gasolina	FWD	1499	100	136	11.20-	*
118 i (B38 A15 A)		Gasolina	FWD	1499	103	140	07.19-	*
120 i (B48 A20 A)		Gasolina	FWD	1998	131	178	11.20-	*
120 i (B48 A20 F)		Gasolina	FWD	1998	131	178	11.20-	*
128 ti (B48 A20 E)		Gasolina	FWD	1998	195	265	11.20-	*
116 d (B37 C15 A)		Diesel	FWD	1496	85	116	07.19-	*
118 d (B47 C20 B)		Diesel	FWD	1995	100	136	07.19-	*
118 d (B47 C20 B)		Diesel	FWD	1995	110	150	07.19-	*
120 d (B47 C20 B)		Diesel	FWD	1995	140	190	03.20-	*
120 d xDrive (B47 C20 B)		Diesel	4WD	1995	140	190	07.19-	*

#### 2 Active Tourer (F45) 11.13-

					MPV (Compact car-C Segment)			
218i (B38 A15 A)		Gasolina	FWD	1499	100	136	07.14-10.21	*
218d		Gasolina	FWD	1995	110	150	09.14-	*
220 i (B48 A20 A)		Gasolina	FWD	1998	120	163	03.14-10.21	*
220 i (B48 A20 A)		Gasolina	FWD	1998	131	178	11.20-10.21	*
220 i (B48 A20 F)		Gasolina	FWD	1998	131	178	11.20-10.21	*
220 i (B48 A20 A)		Gasolina	FWD	1998	141	192	03.14-10.21	*
220 i (B48 A20 F)		Gasolina	FWD	1998	141	192	03.14-10.21	*
220 i		Gasolina	FWD	1998	141	192	03.16-	*

# LISTA DE APLICACIONES - BUYERS GUIDE

225 i (B48 A20 B)		Gasolina	FWD	1998	170	231	11.13-12.19	*
225 i xDrive (B48 A20 B)		Gasolina	4WD	1998	170	231	03.14-10.21	*
225 xe Plug-in-Hybrid (B38 A15 A)		Gasol./el éc.	4WD	1499	92	125	11.20-	*
225 xe Plug-in-Hybrid (IA1)		Gasol./el éc.	4WD	1499	92	125	11.20-	*
225 xe Plug-in-Hybrid (B38 A15 A)		Gasol./el éc.	4WD	1499	100	136	11.14-	*
225 xe Plug-in-Hybrid (IA1)		Gasol./el éc.	4WD	1499	100	136	11.14-	*
225 xe Plug-in-Hybrid (B38 A15 A)		Gasol./el éc.	4WD	1499	162	220	11.20-10.21	*
225 xe Plug-in-Hybrid (IA1)		Gasol./el éc.	4WD	1499	162	220	11.20-10.21	*
225 xe Plug-in-Hybrid (B38 A15 A)		Gasol./el éc.	4WD	1499	165	224	11.14-10.21	*
225 xe Plug-in-Hybrid (IA1)		Gasol./el éc.	4WD	1499	165	224	11.14-10.21	*
216 d (B37 C15 A)		Diesel	FWD	1496	85	116	03.14-10.21	*
218d (B47 C20 A)		Diesel	FWD	1995	110	150	11.13-10.21	*
218d (B47 C20 B)		Diesel	FWD	1995	110	150	11.13-10.21	*
220 d (B47 C20 A)		Diesel	FWD	1995	120	163	03.14-10.21	*
220 d (B47 C20 B)		Diesel	FWD	1995	120	163	03.14-10.21	*
220 d xDrive (B47 C20 A)		Diesel	4WD	1995	120	163	03.14-10.21	*
220 d xDrive (B47 C20 B)		Diesel	4WD	1995	120	163	03.14-10.21	*
220 d (B47 C20 A)		Diesel	FWD	1995	140	190	03.14-10.21	*
220 d (B47 C20 B)		Diesel	FWD	1995	140	190	03.14-10.21	*
220 d xDrive (B47 C20 A)		Diesel	4WD	1995	140	190	03.14-10.21	*
220 d xDrive (B47 C20 B)		Diesel	4WD	1995	140	190	03.14-10.21	*
<b>2 Active Tourer Van (F45) 11.13-</b>					<b>Furgoneta/MPV (Compact car-C Segment)</b>			
220 d (B47 C20 A)		Diesel	FWD	1995	140	190	11.14-10.21	*
220 d (B47 C20 B)		Diesel	FWD	1995	140	190	11.14-10.21	*
<b>2 Gran Coupe (F44) 11.19-</b>					<b>Coupé (Compact car-C Segment)</b>			
218i (B38 A15 A)		Gasolina	FWD	1499	100	136	11.20-	*
218i (B38 A15 A)		Gasolina	FWD	1499	103	140	11.19-	*
220 i (B48 A20 A)		Gasolina	FWD	1998	131	178	11.20-	*
220 i (B48 A20 F)		Gasolina	FWD	1998	131	178	11.20-	*
220 i xDrive		Gasolina	4WD	1998	131	178	03.21-	*
220 i (B48 A20 A,B48 A20 C,B48 A20 F)		Gasolina	FWD	1998	141	192	07.20-	*
228 i xDrive (B46 A20 B)		Gasolina	4WD	1998	170	231	11.19-	*
216 d (B37 C15 A)		Diesel	FWD	1496	85	116	03.20-	*
218d (B47 C20 B)		Diesel	FWD	1995	100	136	07.20-10.24	*
218d (B47 C20 B)		Diesel	FWD	1995	110	150	07.20-	*
220 d (B47 C20 B)		Diesel	FWD	1995	120	163	11.19-	*
220 d (B47 C20 B)		Diesel	FWD	1995	140	190	11.19-	*
220 d xDrive (B47 C20 B)		Diesel	4WD	1995	140	190	07.20-10.24	*
<b>2 Gran Tourer (F46) 07.14-</b>					<b>MPV (Compact car-C Segment)</b>			
218i (B38 A15 A)		Gasolina	FWD	1499	100	136	03.15-	*
218i (B38 A15 A)		Gasolina	FWD	1499	103	140	04.17-	*
220 i (B48 A20 A)		Gasolina	FWD	1998	120	163	03.15-	*
220 i (B48 A20 A)		Gasolina	FWD	1998	131	178	11.20-	*
220 i (B48 A20 F)		Gasolina	FWD	1998	131	178	11.20-	*
220 i (B48 A20 A)		Gasolina	FWD	1998	141	192	03.15-	*
216 d (B37 C15 A)		Diesel	FWD	1496	85	116	03.15-	*

# LISTA DE APLICACIONES - BUYERS GUIDE

218d (B47 C20 A)		Diesel	FWD	1995	100	136	07.14-	*
218d (B47 C20 B)		Diesel	FWD	1995	100	136	07.14-	*
218 d xDrive (B47 C20 A)		Diesel	4WD	1995	100	136	03.15-	*
218 d xDrive (B47 C20 B)		Diesel	4WD	1995	100	136	03.15-	*
218d (B47 C20 A)		Diesel	FWD	1995	110	150	07.14-	*
218d (B47 C20 B)		Diesel	FWD	1995	110	150	07.14-	*
218 d xDrive (B47 C20 A)		Diesel	4WD	1995	110	150	03.15-	*
218 d xDrive (B47 C20 B)		Diesel	4WD	1995	110	150	03.15-	*
220 d (B47 C20 A)		Diesel	FWD	1995	120	163	09.14-	*
220 d (B47 C20 B)		Diesel	FWD	1995	120	163	09.14-	*
220 d xDrive (B47 C20 A)		Diesel	4WD	1995	120	163	03.15-	*
220 d xDrive (B47 C20 B)		Diesel	4WD	1995	120	163	03.15-	*
220 d (B47 C20 A)		Diesel	FWD	1995	140	190	09.14-	*
220 d (B47 C20 B)		Diesel	FWD	1995	140	190	09.14-	*
220 d xDrive (B47 C20 A)		Diesel	4WD	1995	140	190	03.15-	*
220 d xDrive (B47 C20 B)		Diesel	4WD	1995	140	190	03.15-	*
<b>2 Gran Tourer Van (F46) 07.14-</b>					<b>Furgoneta/MPV (Compact car-C Segment)</b>			
218i (B38 A15 A)		Gasolina	FWD	1499	103	140	04.17-	*
218d (B47 C20 A)		Diesel	FWD	1995	110	150	07.14-	*
218d (B47 C20 B)		Diesel	FWD	1995	110	150	07.14-	*
220 d (B47 C20 A)		Diesel	FWD	1995	140	190	07.14-	*
220 d (B47 C20 B)		Diesel	FWD	1995	140	190	07.14-	*
<b>2 Serie (F23) 03.14-</b>					<b>Cabrio (Compact car-C Segment)</b>			
225 i (B48 B20 A)		Gasolina	RWD	1998	135	184	10.17-06.21	*
<b>2 Serie II (G42, G87) 08.21-</b>					<b>Coupé (Compact car-C Segment)</b>			
220 i		Gasolina	RWD	1998	135	184	08.21-	*
220 d Mild-Hybrid		Diesel/el éc.	RWD	1995	140	190	08.21-	*
<b>3 Serie VII (G20, G80, G28) 11.18-</b>					<b>Sedán (Compact executive car-D Segment)</b>			
320 i 1.6 (B48 B16 A)		Gasolina	RWD	1597	125	170	03.19-	*
320i (B48 B20 A)		Gasolina	RWD	1998	135	184	03.19-	*
320i (B48 B20 B)		Gasolina	RWD	1998	135	184	03.19-	*
320 i xDrive (B48 B20 A)		Gasolina	4WD	1998	135	184	07.19-	*
330i (B46 B20 B)		Gasolina	RWD	1998	190	258	11.18-	*
330i (B48 B20 B)		Gasolina	RWD	1998	190	258	11.18-	*
330 i xDrive (B46 B20 B)		Gasolina	4WD	1998	190	258	11.18-	*
330 i xDrive (B48 B20 B)		Gasolina	4WD	1998	190	258	11.18-	*
320 e Plug-in-Hybrid (B48 B20 A)		Gasol./el éc.	RWD	1998	120	163	07.20-	*
320 e Plug-in-Hybrid (GC1)		Gasol./el éc.	RWD	1998	120	163	07.20-	*
320 e Plug-in-Hybrid (B48 B20 A)		Gasol./el éc.	RWD	1998	150	204	07.20-	*
320 e Plug-in-Hybrid (GC1)		Gasol./el éc.	RWD	1998	150	204	07.20-	*
320 d Mild-Hybrid (B47 D20 B)		Diesel/el éc.	RWD	1995	120	163	03.20-	*
320 d Mild-Hybrid (JA1)		Diesel/el éc.	RWD	1995	120	163	03.20-	*
320 d Mild-Hybrid xDrive (B47 D20 B)		Diesel/el éc.	4WD	1995	120	163	03.20-	*
320 d Mild-Hybrid xDrive (JA1)		Diesel/el éc.	4WD	1995	120	163	03.20-	*
320 d Mild-Hybrid (B47 D20 B)		Diesel/el éc.	RWD	1995	140	190	03.20-	*

# LISTA DE APLICACIONES - BUYERS GUIDE

320 d Mild-Hybrid (JA1)		Diesel/el éc.	RWD	1995	140	190	03.20-	*	
320 d Mild-Hybrid xDrive (B47 D20 B)		Diesel/el éc.	4WD	1995	140	190	03.20-	*	
320 d Mild-Hybrid xDrive (JA1)		Diesel/el éc.	4WD	1995	140	190	03.20-	*	
320 d (B47 D20 B)		Diesel	RWD	1995	120	163	11.18-02.20	*	
320 d xDrive (B47 D20 B)		Diesel	4WD	1995	120	163	11.18-02.20	*	
320 d (B47 D20 B)		Diesel	RWD	1995	140	190	11.18-	*	
320 d xDrive (B47 D20 B)		Diesel	4WD	1995	140	190	11.18-02.20	*	
<b>3 Serie VII Touring (G21, G81) 07.19-</b>							<b>[CAMBIADO]:Break (Compact executive car-D Segment)</b>		
320i (B46 B20 B)		Gasolina	RWD	1998	135	184	11.19-	*	
320i (B48 B20 A)		Gasolina	RWD	1998	135	184	11.19-	*	
330i (B48 B20 B)		Gasolina	RWD	1998	190	258	07.19-	*	
320 e Plug-in-Hybrid (B48 B20 A)		Gasol./el éc.	RWD	1998	120	163	07.20-	*	
320 e Plug-in-Hybrid (GC1)		Gasol./el éc.	RWD	1998	120	163	07.20-	*	
320 e Plug-in-Hybrid xDrive		Gasol./el éc.	4WD	1998	120	163	03.21-	*	
320 e Plug-in-Hybrid (B48 B20 A)		Gasol./el éc.	RWD	1998	150	204	07.20-	*	
320 e Plug-in-Hybrid (GC1)		Gasol./el éc.	RWD	1998	150	204	07.20-	*	
320 e Plug-in-Hybrid xDrive		Gasol./el éc.	4WD	1998	150	204	03.21-	*	
320 d Mild-Hybrid (B47 D20 B)		Diesel/el éc.	RWD	1995	120	163	03.20-	*	
320 d Mild-Hybrid (JA1)		Diesel/el éc.	RWD	1995	120	163	03.20-	*	
320 d Mild-Hybrid xDrive (B47 D20 B)		Diesel/el éc.	4WD	1995	120	163	03.20-	*	
320 d Mild-Hybrid xDrive (JA1)		Diesel/el éc.	4WD	1995	120	163	03.20-	*	
320 d Mild-Hybrid (B47 D20 B)		Diesel/el éc.	RWD	1995	140	190	03.20-	*	
320 d Mild-Hybrid (JA1)		Diesel/el éc.	RWD	1995	140	190	03.20-	*	
320 d Mild-Hybrid xDrive (B47 D20 B)		Diesel/el éc.	4WD	1995	140	190	03.20-	*	
320 d Mild-Hybrid xDrive (JA1)		Diesel/el éc.	4WD	1995	140	190	03.20-	*	
320 d (B47 D20 B)		Diesel	RWD	1995	120	163	07.19-02.20	*	
320 d xDrive (B47 D20 B)		Diesel	4WD	1995	120	163	07.19-02.20	*	
320 d (B47 D20 B)		Diesel	RWD	1995	140	190	07.19-02.20	*	
320 d xDrive (B47 D20 B)		Diesel	4WD	1995	140	190	07.19-02.20	*	
<b>3 Serie VII Touring Van (G21) 07.19-</b>							<b>[CAMBIADO]:Furgón/Break (Compact executive car-D Segment)</b>		
320i (B46 B20 B)		Gasolina	RWD	1998	135	184	11.19-	*	
320i (B48 B20 A)		Gasolina	RWD	1998	135	184	11.19-	*	
330i (B48 B20 B)		Gasolina	RWD	1998	190	258	07.19-	*	
320 d Mild-Hybrid (B47 D20 B)		Diesel/el éc.	RWD	1995	140	190	03.20-	*	
320 d Mild-Hybrid (JA1)		Diesel/el éc.	RWD	1995	140	190	03.20-	*	
320 d Mild-Hybrid xDrive (B47 D20 B)		Diesel/el éc.	4WD	1995	140	190	03.20-	*	
320 d Mild-Hybrid xDrive (JA1)		Diesel/el éc.	4WD	1995	140	190	03.20-	*	
320 d (B47 D20 B)		Diesel	RWD	1995	140	190	07.19-02.20	*	
320 d xDrive (B47 D20 B)		Diesel	4WD	1995	140	190	07.19-02.20	*	

# LISTA DE APLICACIONES - BUYERS GUIDE

<b>4 Serie II (G23, G83) 11.20-</b>					<b>Cabrío (Compact executive car-D Segment)</b>			
420 i (B48 B20 A)		Gasolina	RWD	1998	135	184	11.20-	*
430 i (B46 B20 B)		Gasolina	RWD	1998	190	258	11.20-	*
430 i (B48 B20 B)		Gasolina	RWD	1998	190	258	11.20-	*
420 d Mild-Hybrid (B47 D20 B)		Diesel/el éc.	RWD	1995	120	163	11.20-	*
420 d Mild-Hybrid (JA1)		Diesel/el éc.	RWD	1995	120	163	11.20-	*
420 d Mild-Hybrid (B47 D20 B)		Diesel/el éc.	RWD	1995	140	190	11.20-	*
420 d Mild-Hybrid (JA1)		Diesel/el éc.	RWD	1995	140	190	11.20-	*
430 d Mild-Hybrid (B57 D30 B)		Diesel/el éc.	RWD	2993	210	286	07.21-	*
430 d Mild-Hybrid (JA1)		Diesel/el éc.	RWD	2993	210	286	07.21-	*
<b>4 Serie II (G22, G82) 07.20-</b>					<b>Coupé (Compact executive car-D Segment)</b>			
420 i 1.6 (B48 B16 A)		Gasolina	RWD	1597	125	170	11.20-	*
420 i (B46 B20 B)		Gasolina	RWD	1998	135	184	07.20-	*
420 i (B48 B20 A)		Gasolina	RWD	1998	135	184	07.20-	*
420 i		Gasolina	RWD	1998	135	184	07.21-	*
420 i xDrive		Gasolina	4WD	1998	135	184	07.21-	*
430 i		Gasolina	RWD	1998	180	245	07.21-	*
430 i (B46 B20 B)		Gasolina	RWD	1998	190	258	07.20-	*
430 i (B48 B20 B)		Gasolina	RWD	1998	190	258	07.20-	*
430 i xDrive (B46 B20 B)		Gasolina	4WD	1998	190	258	07.20-	*
420 d Mild-Hybrid (B47 D20 B)		Diesel/el éc.	RWD	1995	120	163	07.20-	*
420 d Mild-Hybrid (JA1)		Diesel/el éc.	RWD	1995	120	163	07.20-	*
420 d Mild-Hybrid xDrive (B47 D20 B)		Diesel/el éc.	4WD	1995	120	163	07.20-	*
420 d Mild-Hybrid xDrive (JA1)		Diesel/el éc.	4WD	1995	120	163	07.20-	*
420 d Mild-Hybrid (B47 D20 B)		Diesel/el éc.	RWD	1995	140	190	07.20-	*
420 d Mild-Hybrid (JA1)		Diesel/el éc.	RWD	1995	140	190	07.20-	*
420 d Mild-Hybrid		Diesel/el éc.	RWD	1995	140	190	07.21-	*
420 d Mild-Hybrid xDrive (B47 D20 B)		Diesel/el éc.	4WD	1995	140	190	07.20-	*
420 d Mild-Hybrid xDrive (JA1)		Diesel/el éc.	4WD	1995	140	190	07.20-	*
420 d Mild-Hybrid xDrive		Diesel/el éc.	4WD	1995	140	190	07.21-	*
<b>5 Serie VII (G30, F90) 09.16-</b>					<b>Sedán (Executive car-E Segment)</b>			
520 i (B48 B16 A)		Gasolina	RWD	1597	125	170	07.17-06.23	*
520 i (B48 B20 A)		Gasolina	RWD	1998	120	163	07.17-06.20	*
520 i (B48 B20 B)		Gasolina	RWD	1998	120	163	07.17-06.20	*
520 i (B48 B20 A)		Gasolina	RWD	1998	135	184	07.17-	*
520 i (B48 B20 B)		Gasolina	RWD	1998	135	184	07.17-	*
520 i (B48 B20 A)		Gasolina	RWD	1998	155	211	07.17-06.20	*
520 i (B48 B20 B)		Gasolina	RWD	1998	155	211	07.17-06.20	*
520 i Mild-Hybrid (B48 B20 A)		Gasol./el éc.	RWD	1998	120	163	07.20-06.23	*
520 i Mild-Hybrid (JA1)		Gasol./el éc.	RWD	1998	120	163	07.20-06.23	*
520 i Mild-Hybrid (B48 B20 A)		Gasol./el éc.	RWD	1998	135	184	07.20-06.23	*

# LISTA DE APLICACIONES - BUYERS GUIDE

520 i Mild-Hybrid (JA1)		Gasol./el éc.	RWD	1998	135	184	07.20-06.23	*
518 d Mild-Hybrid (B47 D20 B)		Diesel/el éc.	RWD	1995	100	136	07.20-06.23	*
518 d Mild-Hybrid (JA1)		Diesel/el éc.	RWD	1995	100	136	07.20-06.23	*
518 d Mild-Hybrid (B47 D20 B)		Diesel/el éc.	RWD	1995	110	150	07.20-06.23	*
518 d Mild-Hybrid (JA1)		Diesel/el éc.	RWD	1995	110	150	07.20-06.23	*
520 d Mild-Hybrid (B47 D20 B)		Diesel/el éc.	RWD	1995	120	163	11.19-06.23	*
520 d Mild-Hybrid (JA1)		Diesel/el éc.	RWD	1995	120	163	11.19-06.23	*
520 d Mild-Hybrid (B47 D20 B)		Diesel/el éc.	RWD	1995	140	190	11.19-06.23	*
520 d Mild-Hybrid (JA1)		Diesel/el éc.	RWD	1995	140	190	11.19-06.23	*
520 d Mild-Hybrid xDrive (B47 D20 B)		Diesel/el éc.	4WD	1995	140	190	11.19-06.23	*
520 d Mild-Hybrid xDrive (JA1)		Diesel/el éc.	4WD	1995	140	190	11.19-06.23	*
530 d Mild-Hybrid (B57 D30 B)		Diesel/el éc.	RWD	2993	183	249	07.20-06.23	*
530 d Mild-Hybrid (JA1)		Diesel/el éc.	RWD	2993	183	249	07.20-06.23	*
518 d (B47 D20 B)		Diesel	RWD	1995	100	136	07.18-06.20	*
518 d (B47 D20 B)		Diesel	RWD	1995	110	150	07.18-06.20	*
520 d (B47 D20 A)		Diesel	RWD	1995	120	163	09.16-06.23	*
520 d xDrive (B47 D20 A)		Diesel	4WD	1995	120	163	09.16-06.23	*
520 d (B47 D20 A)		Diesel	RWD	1995	140	190	09.16-06.23	*
520 d (B47 D20 B)		Diesel	RWD	1995	140	190	09.16-06.23	*
520 d xDrive (B47 D20 A)		Diesel	4WD	1995	140	190	09.16-06.23	*
525 d (B47 D20 B)		Diesel	RWD	1995	155	211	07.17-06.19	*
525 d (B47 D20 B)		Diesel	RWD	1995	170	231	07.17-06.19	*
<b>5 Serie VII Touring (G31) 03.17-</b>					<b>[CAMBIADO]:Break (Executive car- E Segment)</b>			
520 i (B48 B20 A)		Gasolina	RWD	1998	120	163	07.17-06.20	*
520 i (B48 B20 A)		Gasolina	RWD	1998	135	184	07.17-06.20	*
520 i (B48 B20 A)		Gasolina	RWD	1998	155	211	07.17-06.20	*
520 i Mild-Hybrid (B48 B20 A)		Gasol./el éc.	RWD	1998	120	163	07.20-	*
520 i Mild-Hybrid (JA1)		Gasol./el éc.	RWD	1998	120	163	07.20-	*
520 i Mild-Hybrid (B48 B20 A)		Gasol./el éc.	RWD	1998	135	184	07.20-	*
520 i Mild-Hybrid (JA1)		Gasol./el éc.	RWD	1998	135	184	07.20-	*
518 d Mild-Hybrid (B47 D20 B)		Diesel/el éc.	RWD	1995	100	136	07.20-	*
518 d Mild-Hybrid (JA1)		Diesel/el éc.	RWD	1995	100	136	07.20-	*
518 d Mild-Hybrid (B47 D20 B)		Diesel/el éc.	RWD	1995	110	150	07.20-	*
518 d Mild-Hybrid (JA1)		Diesel/el éc.	RWD	1995	110	150	07.20-	*
520 d Mild-Hybrid (B47 D20 B)		Diesel/el éc.	RWD	1995	120	163	11.19-	*
520 d Mild-Hybrid (JA1)		Diesel/el éc.	RWD	1995	120	163	11.19-	*
520 d Mild-Hybrid (B47 D20 B)		Diesel/el éc.	RWD	1995	140	190	11.19-	*
520 d Mild-Hybrid (JA1)		Diesel/el éc.	RWD	1995	140	190	11.19-	*
520 d Mild-Hybrid xDrive (B47 D20 B)		Diesel/el éc.	4WD	1995	140	190	11.19-	*

# LISTA DE APLICACIONES - BUYERS GUIDE

520 d Mild-Hybrid xDrive (JA1)		Diesel/el éc.	4WD	1995	140	190	11.19-	*
518 d (B47 D20 B)		Diesel	RWD	1995	100	136	07.18-06.20	*
518 d (B47 D20 B)		Diesel	RWD	1995	110	150	07.18-06.20	*
520 d (B47 D20 A)		Diesel	RWD	1995	120	163	03.17-	*
520 d (B47 D20 B)		Diesel	RWD	1995	120	163	03.17-	*
520 d xDrive (B47 D20 A)		Diesel	4WD	1995	120	163	07.17-	*
520 d xDrive (B47 D20 B)		Diesel	4WD	1995	120	163	07.17-	*
520 d (B47 D20 A)		Diesel	RWD	1995	140	190	03.17-	*
520 d (B47 D20 B)		Diesel	RWD	1995	140	190	03.17-	*
520 d xDrive (B47 D20 A)		Diesel	4WD	1995	140	190	07.17-	*
520 d xDrive (B47 D20 B)		Diesel	4WD	1995	140	190	07.17-	*
525 d (B47 D20 B)		Diesel	RWD	1995	155	211	07.17-06.19	*
525 d (B47 D20 B)		Diesel	RWD	1995	170	231	07.17-06.19	*
<b>5 Serie VII Touring Van (G31) 03.17-</b>					<b>[CAMBIADO]:Furgón/Break (Executive car-E Segment)</b>			
520 i (B48 B20 A)		Gasolina	RWD	1998	135	184	07.17-	*
520 d (B47 D20 A)		Diesel	RWD	1995	140	190	03.17-11.19	*
520 d (B47 D20 B)		Diesel	RWD	1995	140	190	03.17-11.19	*
520 d xDrive (B47 D20 A)		Diesel	4WD	1995	140	190	07.17-11.19	*
520 d xDrive (B47 D20 B)		Diesel	4WD	1995	140	190	07.17-11.19	*
<b>X1 II (F48) 11.14-</b>					<b>SUV (Compact SUV-J Segment)</b>			
sDrive18i (B38 A15 A)		Gasolina	FWD	1499	100	136	11.15-06.22	*
sDrive18i (B38 A15 A)		Gasolina	FWD	1499	103	140	07.17-06.22	*
sDrive20i (B48 A20 A)		Gasolina	FWD	1998	131	178	11.20-06.22	*
sDrive20i (B48 A20 F)		Gasolina	FWD	1998	131	178	11.20-06.22	*
xDrive20i (B48 A20 A)		Gasolina	4WD	1998	131	178	11.20-06.22	*
xDrive20i (B48 A20 F)		Gasolina	4WD	1998	131	178	11.20-06.22	*
sDrive20i (B42 S20 A)		Gasolina	FWD	1998	141	192	07.15-06.22	*
sDrive20i (B48 A20 A)		Gasolina	FWD	1998	141	192	07.15-06.22	*
sDrive20i (B48 A20 F)		Gasolina	FWD	1998	141	192	07.15-06.22	*
xDrive20i (B48 A20 A)		Gasolina	4WD	1998	141	192	07.15-06.22	*
xDrive20i (B48 A20 B)		Gasolina	4WD	1998	141	192	07.15-06.22	*
xDrive20i (B48 A20 F)		Gasolina	4WD	1998	141	192	07.15-06.22	*
sDrive28i (B46 A20 B)		Gasolina	FWD	1998	170	231	11.14-	*
xDrive 25 i (B42 S20 A)		Gasolina	4WD	1998	170	231	07.15-10.21	*
xDrive 25 i (B46 A20 B)		Gasolina	4WD	1998	170	231	07.15-10.21	*
xDrive 25 i (B48 A20 B)		Gasolina	4WD	1998	170	231	07.15-10.21	*
sDrive 20 i ActiveFlex		Gasol./Et anol	FWD	1998	141	192	07.15-	*
xDrive 25 i ActiveFlex (B42 S20 A,B48 A20 B)		Gasol./Et anol	4WD	1998	170	231	03.16-01.18	*
xDrive 25 e Plug-in-Hybrid (B38 A15 A)		Gasol./el éc.	4WD	1499	92	125	03.20-	*
xDrive 25 e Plug-in-Hybrid (B38 A15 A)		Gasol./el éc.	4WD	1499	162	220	03.20-06.22	*
sDrive 16 d (B37 C15 A)		Diesel	FWD	1496	85	116	11.14-05.22	*
sDrive 18 d (B47 C20 A)		Diesel	FWD	1995	100	136	07.15-06.22	*
xDrive 18 d (B47 C20 A)		Diesel	4WD	1995	100	136	11.14-06.22	*
sDrive 18 d (B47 C20 A)		Diesel	FWD	1995	110	150	07.15-06.22	*
sDrive 18 d (B47 C20 B)		Diesel	FWD	1995	110	150	07.15-06.22	*
xDrive 18 d (B47 C20 A)		Diesel	4WD	1995	110	150	11.14-06.22	*
xDrive 18 d (B47 C20 B)		Diesel	4WD	1995	110	150	11.14-06.22	*
sDrive 20 d (B47 C20 A)		Diesel	FWD	1995	120	163	11.15-05.22	*

# LISTA DE APLICACIONES - BUYERS GUIDE

sDrive 20 d (B47 C20 B)		Diesel	FWD	1995	120	163	11.15-05.22	*
xDrive 20 d (B47 C20 A)		Diesel	4WD	1995	120	163	07.15-06.22	*
xDrive 20 d (B47 C20 B)		Diesel	4WD	1995	120	163	07.15-06.22	*
sDrive 20 d (B47 C20 A)		Diesel	FWD	1995	140	190	11.15-05.22	*
sDrive 20 d (B47 C20 B)		Diesel	FWD	1995	140	190	11.15-05.22	*
xDrive 20 d (B47 C20 A)		Diesel	4WD	1995	140	190	07.15-06.22	*
xDrive 20 d (B47 C20 B)		Diesel	4WD	1995	140	190	07.15-06.22	*
xDrive 25 d (B47 C20 B)		Diesel	4WD	1995	170	231	11.14-05.22	*
<b>X1 II Van (F48) 07.15-</b>					<b>Furgoneta/SUV (Compact SUV-J Segment)</b>			
sDrive18i (B38 A15 A)		Gasolina	FWD	1499	103	140	07.17-06.22	*
sDrive20i (B48 A20 A)		Gasolina	FWD	1998	141	192	07.17-06.22	*
sDrive 18 d (B47 C20 A)		Diesel	FWD	1995	110	150	07.15-06.22	*
sDrive 18 d (B47 C20 B)		Diesel	FWD	1995	110	150	07.15-06.22	*
sDrive 20 d (B47 C20 A)		Diesel	FWD	1995	140	190	11.15-05.22	*
sDrive 20 d (B47 C20 B)		Diesel	FWD	1995	140	190	11.15-05.22	*
xDrive 20 d (B47 C20 A)		Diesel	4WD	1995	140	190	07.15-06.22	*
xDrive 20 d (B47 C20 B)		Diesel	4WD	1995	140	190	07.15-06.22	*
<b>X2 (F39) 11.17-</b>					<b>SUV (Compact SUV-J Segment)</b>			
sDrive18i (B32 S15 A)		Gasolina	FWD	1499	100	136	03.18-10.23	*
sDrive18i (B38 A15 A)		Gasolina	FWD	1499	100	136	03.18-10.23	*
sDrive18i (B38 A15 A)		Gasolina	FWD	1499	103	140	03.18-10.23	*
sDrive20i (B48 A20 A)		Gasolina	FWD	1998	131	178	11.20-10.23	*
sDrive20i (B48 A20 F)		Gasolina	FWD	1998	131	178	11.20-10.23	*
xDrive20i (B48 A20 A)		Gasolina	4WD	1998	131	178	11.20-10.23	*
sDrive20i (B42 S20 A)		Gasolina	FWD	1998	141	192	11.17-10.23	*
sDrive20i (B48 A20 A)		Gasolina	FWD	1998	141	192	11.17-10.23	*
xDrive20i (B48 A20 A)		Gasolina	4WD	1998	141	192	03.18-10.23	*
sDrive28i (B46 A20 B)		Gasolina	FWD	1998	170	231	03.18-	*
xDrive28i (B46 A20 B)		Gasolina	4WD	1998	170	231	11.17-	*
sDrive 18 i ActiveFlex (B32 S15 A)		Gasol./Etanol	FWD	1499	100	136	07.18-	*
sDrive 20 i ActiveFlex (B42 S20 A)		Gasol./Etanol	FWD	1998	141	192	07.18-	*
xDrive 25 e Plug-in-Hybrid (B38 A15 A)		Gasol./eléc.	4WD	1499	92	125	03.20-	*
xDrive 25 e Plug-in-Hybrid (B38 A15 A)		Gasol./eléc.	4WD	1499	162	220	03.20-10.23	*
sDrive 18 d (B47 C20 A)		Diesel	FWD	1995	100	136	03.18-10.23	*
sDrive 18 d (B47 C20 B)		Diesel	FWD	1995	100	136	03.18-10.23	*
xDrive 18 d (B47 C20 B)		Diesel	4WD	1995	100	136	03.18-10.23	*
sDrive 18 d (B47 C20 A)		Diesel	FWD	1995	110	150	03.18-10.23	*
sDrive 18 d (B47 C20 B)		Diesel	FWD	1995	110	150	03.18-10.23	*
xDrive 18 d (B47 C20 B)		Diesel	4WD	1995	110	150	03.18-10.23	*
sDrive 20 d (B47 C20 A)		Diesel	FWD	1995	120	163	11.18-10.23	*
sDrive 20 d (B47 C20 B)		Diesel	FWD	1995	120	163	11.18-10.23	*
xDrive 20 d (B47 C20 A)		Diesel	4WD	1995	120	163	11.17-10.23	*
xDrive 20 d (B47 C20 B)		Diesel	4WD	1995	120	163	11.17-10.23	*
sDrive 20 d (B47 C20 A)		Diesel	FWD	1995	140	190	11.18-10.23	*
sDrive 20 d (B47 C20 B)		Diesel	FWD	1995	140	190	11.18-10.23	*
xDrive 20 d (B47 C20 A)		Diesel	4WD	1995	140	190	11.17-10.23	*
xDrive 20 d (B47 C20 B)		Diesel	4WD	1995	140	190	11.17-10.23	*
xDrive 25 d (B47 C20 B)		Diesel	4WD	1995	170	231	11.17-09.23	*

# LISTA DE APLICACIONES - BUYERS GUIDE

<b>X3 III (G01, F97, G08) 07.17-</b>					<b>SUV (Luxury Crossover SUV-J Segment)</b>			
sDrive 20 i 1.6 (B48 B16 A)		Gasolina	RWD	1597	125	170	12.17-	*
sDrive20i (B48 B20 A)		Gasolina	RWD	1998	135	184	12.17-	*
sDrive20i (K20A9)		Gasolina	RWD	1998	135	184	12.17-	*
xDrive20i (B48 B20 A)		Gasolina	4WD	1998	135	184	12.17-	*
xDrive20i (B48 B20 B)		Gasolina	4WD	1998	135	184	12.17-	*
xDrive 30 i (B48 B20 B)		Gasolina	4WD	1998	183	249	08.17-	*
sDrive 30 i		Gasolina	RWD	1998	185	248	04.18-	*
xDrive 30 i (B46 B20 B)		Gasolina	4WD	1998	185	252	08.17-	*
xDrive 30 i (B48 B20 B)		Gasolina	4WD	1998	185	252	08.17-	*
xDrive 30e Plug-in-Hybrid (B46 B20 B)		Gasol./el éc.	4WD	1998	120	163	12.19-	*
xDrive 30e Plug-in-Hybrid (B48 B20 A)		Gasol./el éc.	4WD	1998	120	163	12.19-	*
xDrive 30e Plug-in-Hybrid (B46 B20 B)		Gasol./el éc.	4WD	1998	135	184	12.19-	*
xDrive 30e Plug-in-Hybrid (B48 B20 A)		Gasol./el éc.	4WD	1998	135	184	12.19-	*
xDrive 30 i Mild Hybrid		Gasol./el éc.	4WD	1998	180	245	08.21-	*
xDrive 30e Plug-in-Hybrid		Gasol./el éc.	4WD	1998	200	272	01.23-	*
xDrive 30e Plug-in-Hybrid (B46 B20 B)		Gasol./el éc.	4WD	1998	215	292	12.19-	*
xDrive 30e Plug-in-Hybrid (B48 B20 A)		Gasol./el éc.	4WD	1998	215	292	12.19-	*
xDrive 30e Plug-in-Hybrid (B46 B20 B)		Gasol./el éc.	4WD	1998	215	292	12.19-	*
xDrive 30e Plug-in-Hybrid (B48 B20 A)		Gasol./el éc.	4WD	1998	215	292	12.19-	*
sDrive 18 d Mild-Hybrid (B47 D20 B)		Diesel/el éc.	RWD	1995	100	136	07.20-	*
sDrive 18 d Mild-Hybrid (JA1)		Diesel/el éc.	RWD	1995	100	136	07.20-	*
sDrive 18 d Mild-Hybrid (B47 D20 B)		Diesel/el éc.	RWD	1995	110	150	07.20-	*
sDrive 18 d Mild-Hybrid (JA1)		Diesel/el éc.	RWD	1995	110	150	07.20-	*
xDrive 20 d Mild-Hybrid (B47 D20 B)		Diesel/el éc.	4WD	1995	120	163	04.20-	*
xDrive 20 d Mild-Hybrid (JA1)		Diesel/el éc.	4WD	1995	120	163	04.20-	*
xDrive 20 d Mild-Hybrid (B47 D20 B)		Diesel/el éc.	4WD	1995	140	190	04.20-	*
xDrive 20 d Mild-Hybrid (JA1)		Diesel/el éc.	4WD	1995	140	190	04.20-	*
sDrive 18 d (B47 D20 A)		Diesel	RWD	1995	100	136	04.18-06.20	*
sDrive 18 d (B47 D20 B)		Diesel	RWD	1995	100	136	04.18-06.20	*
sDrive 18 d (B47 D20 A)		Diesel	RWD	1995	110	150	04.18-06.20	*
sDrive 18 d (B47 D20 B)		Diesel	RWD	1995	110	150	04.18-06.20	*
xDrive 20 d (B47 D20 A)		Diesel	4WD	1995	120	163	08.17-03.20	*
xDrive 20 d (B47 D20 B)		Diesel	4WD	1995	120	163	08.17-03.20	*
xDrive 20 d (B47 D20 A)		Diesel	4WD	1995	140	190	08.17-03.20	*
xDrive 20 d (B47 D20 B)		Diesel	4WD	1995	140	190	08.17-03.20	*
<b>X3 III Van (G01) 07.17-</b>					<b>Furgoneta/SUV (Luxury Crossover SUV-J Segment)</b>			
xDrive20i (B48 B20 A)		Gasolina	4WD	1998	135	184	12.17-	*
xDrive20i (B48 B20 B)		Gasolina	4WD	1998	135	184	12.17-	*
xDrive 30 i (B48 B20 B)		Gasolina	4WD	1998	185	252	08.17-	*
sDrive 18 d (B47 D20 A)		Diesel	RWD	1995	110	150	04.18-	*
sDrive 18 d (B47 D20 B)		Diesel	RWD	1995	110	150	04.18-	*

# LISTA DE APLICACIONES - BUYERS GUIDE

xDrive 20 d (B47 D20 A)		Diesel	4WD	1995	140	190	08.17-	*
xDrive 20 d (B47 D20 B)		Diesel	4WD	1995	140	190	08.17-	*
<b>X4 II (G02, F98) 04.18-</b>					<b>SUV (Luxury Crossover SUV-J Segment)</b>			
xDrive20i (B48 B20 A)		Gasolina	4WD	1998	135	184	04.18-	*
xDrive 30 i (B48 B20 B)		Gasolina	4WD	1998	183	249	04.18-	*
xDrive 30 i (B46 B20 B)		Gasolina	4WD	1998	185	252	04.18-	*
xDrive 30 i (B48 B20 B)		Gasolina	4WD	1998	185	252	04.18-	*
xDrive 20 i Mild Hybrid		Gasol./el éc.	4WD	1998	135	184	08.21-	*
xDrive 30 i Mild Hybrid		Gasol./el éc.	4WD	1998	180	245	07.21-	*
xDrive 20 d Mild-Hybrid (B47 D20 B)		Diesel/el éc.	4WD	1995	120	163	04.20-	*
xDrive 20 d Mild-Hybrid (JA1)		Diesel/el éc.	4WD	1995	120	163	04.20-	*
xDrive 20 d Mild-Hybrid (B47 D20 B)		Diesel/el éc.	4WD	1995	140	190	04.20-	*
xDrive 20 d Mild-Hybrid (JA1)		Diesel/el éc.	4WD	1995	140	190	04.20-	*
xDrive 20 d (B47 D20 A)		Diesel	4WD	1995	120	163	04.18-03.20	*
xDrive 20 d (B47 D20 A)		Diesel	4WD	1995	140	190	04.18-03.20	*
<b>Z4 III (G29) 11.18-</b>					<b>Cabrio (Sports car-S Segment)</b>			
sDrive20i (B46 B20 B)		Gasolina	RWD	1998	120	163	11.18-	*
sDrive20i (B48 B20 B)		Gasolina	RWD	1998	120	163	11.18-	*
sDrive20i (B46 B20 B)		Gasolina	RWD	1998	145	197	11.18-	*
sDrive20i (B48 B20 B)		Gasolina	RWD	1998	145	197	11.18-	*
sDrive 30 i (B46 B20 B)		Gasolina	RWD	1998	190	258	11.18-	*
sDrive 30 i (B48 B20 B)		Gasolina	RWD	1998	190	258	11.18-	*
M40 i (B58 B30 C)		Gasolina	RWD	2998	250	340	11.18-	*
<b>BMW (BRILLIANCE)</b>								
<b>1 SERIES (F52) 01.17-</b>					<b>Sedán (Compact car-C Segment)</b>			
120 i (B38 A15 C)		Gasolina	FWD	1499	103	140	09.19-	*
125 i (B48 A20 D)		Gasolina	FWD	1998	170	231	01.17-	*
120 i (B48 A20 B,B48 A20 C)		Gasolina	FWD	1998	192	141	01.17-	*
<b>2 SERIES Active Tourer (F45) 03.16-</b>					<b>MPV (Compact car-C Segment)</b>			
218i (B38 A15 A,B38 A15 C)		Gasolina	FWD	1488	100	136	03.16-	*
<b>3 SERIES VII (G28, G20) 06.19-</b>					<b>Sedán (Compact executive car-D Segment)</b>			
320i		Gasolina	RWD	1998	115	156	11.19-	*
330 Li		Gasolina	RWD	1998	115	156	11.19-	*
325i		Gasolina	RWD	1998	135	184	06.19-	*
325Li		Gasolina	RWD	1998	135	184	06.19-	*
325 Li xDrive		Gasolina	4WD	1998	135	184	06.19-	*
<b>5 SERIES VII (G38) 06.17-</b>					<b>Sedán (Executive car-E Segment)</b>			
525 Li (B48 B20 C)		Gasolina	RWD	1998	135	184	03.18-	*
<b>X1 II (F49) 05.16-</b>					<b>SUV (Compact SUV-J Segment)</b>			
sDrive18 Li		Gasolina	FWD	1499	100	136	05.16-	*
sDrive20 Li (B38 A15 C)		Gasolina	FWD	1499	103	140	10.19-	*
sDrive20 Li		Gasolina	FWD	1998	141	192	05.16-	*
sDrive25 i (B48 A20 C)		Gasolina	FWD	1998	141	192	10.19-	*
sDrive25 Li (B48 A20 C)		Gasolina	FWD	1998	141	192	10.19-	*
xDrive20 Li		Gasolina	FWD	1998	141	192	05.16-	*
xDrive25 Le xDrive (B48 A20 C)		Gasolina	4WD	1998	141	192	10.19-	*

# LISTA DE APLICACIONES - BUYERS GUIDE

xDrive25 Li		Gasolina	FWD	1998	170	231	05.16-	*
xDrive25 Le (B38 A15 C)		Eléctrico	4WD	1499	100	136	09.16-	*
xDrive25 Le xDrive (B38 A15 C)		Eléctrico	4WD	1499	100	136	10.19-	*
xDrive25 Le (B38 A15 C, IA1XB2H)		Eléctrico	4WD	1499	170	231	09.16-	*
<b>X2 (F39) 10.19-</b>					<b>SUV (Compact SUV-J Segment)</b>			
sDrive20i (B38 A15 C)		Gasolina	FWD	1499	103	140	10.19-	*
xDrive25 i xDrive (B48 A20 C)		Gasolina	4WD	1998	141	192	10.19-	*
<b>X3 (G08) 04.18-</b>					<b>SUV (Luxury Crossover SUV-J Segment)</b>			
25 i xDrive (B48 B20 C)		Gasolina	4WD	1998	135	184	04.18-	*
28 i xDrive (B48 B20 D)		Gasolina	4WD	1998	165	224	07.18-	*
30 i xDrive (B48 B20 D)		Gasolina	4WD	1998	185	252	04.18-	*
<b>MINI</b>								
<b>MINI (F55) 09.13-</b>					<b>[CAMBIADO]:Fastback (Supermini car-B Segment)</b>			
Cooper S (B48 A20 A)		Gasolina	FWD	1998	131	178	11.20-	*
Cooper S (B48 A20 F)		Gasolina	FWD	1998	131	178	11.20-	*
Cooper S (B48 A20 A)		Gasolina	FWD	1998	131	178	11.20-	*
Cooper S (B48 A20 F)		Gasolina	FWD	1998	131	178	11.20-	*
<b>MINI (F57) 11.14-</b>					<b>Cabrio (Supermini car-B Segment)</b>			
Cooper S (B48 A20 A)		Gasolina	FWD	1998	131	178	11.20-	*
Cooper S (B48 A20 F)		Gasolina	FWD	1998	131	178	11.20-	*
<b>MINI CLUBMAN II (F54) 11.14-</b>					<b>[CAMBIADO]:Break (Supermini car-B Segment)</b>			
Cooper S (B48 A20 A)		Gasolina	FWD	1998	120	163	11.14-	*
Cooper S (B48 A20 F)		Gasolina	FWD	1998	120	163	11.14-	*
Cooper S ALL4 (B48 A20 A)		Gasolina	4WD	1998	120	163	04.15-	*
Cooper S (B46 A20 A)		Gasolina	FWD	1998	131	178	11.20-	*
Cooper S (B48 A20 F)		Gasolina	FWD	1998	131	178	11.20-	*
Cooper S ALL4 (B46 A20 A)		Gasolina	4WD	1998	131	178	11.20-	*
Cooper S ALL4 (B48 A20 F)		Gasolina	4WD	1998	131	178	11.20-	*
Cooper S (B46 A20 A)		Gasolina	FWD	1998	141	192	11.14-	*
Cooper S (B48 A20 A)		Gasolina	FWD	1998	141	192	11.14-	*
Cooper S (B48 A20 F)		Gasolina	FWD	1998	141	192	11.14-	*
Cooper S ALL4 (B48 A20 A)		Gasolina	4WD	1998	141	192	03.16-01.24	*
Cooper S JCW (B46 A20 A)		Gasolina	FWD	1998	155	211	11.14-06.18	*
Cooper S JCW (B48 A20 A)		Gasolina	FWD	1998	155	211	11.14-06.18	*
Cooper S JCW (B48 A20 F)		Gasolina	FWD	1998	155	211	11.14-06.18	*
Cooper S JCW ALL4 (B48 A20 A)		Gasolina	4WD	1998	155	211	11.14-	*
Cooper D (B47 C20 A)		Diesel	FWD	1995	100	136	12.14-07.19	*
Cooper D (B47 C20 B)		Diesel	FWD	1995	100	136	12.14-07.19	*
Cooper D (B47 C20 A)		Diesel	FWD	1995	110	150	07.15-02.24	*
Cooper D (B47 C20 B)		Diesel	FWD	1995	110	150	07.15-02.24	*
Cooper SD (B47 C20 A)		Diesel	FWD	1995	120	163	02.15-07.19	*
Cooper SD (B47 C20 B)		Diesel	FWD	1995	120	163	02.15-07.19	*
Cooper SD ALL4 (B47 C20 A)		Diesel	4WD	1995	120	163	04.15-07.19	*
Cooper SD ALL4 (B47 C20 B)		Diesel	4WD	1995	120	163	04.15-07.19	*
Cooper SD (B47 C20 A)		Diesel	FWD	1995	140	190	02.15-01.24	*
Cooper SD (B47 C20 B)		Diesel	FWD	1995	140	190	02.15-01.24	*
Cooper SD ALL4 (B47 C20 A)		Diesel	4WD	1995	140	190	03.16-01.24	*
Cooper SD ALL4 (B47 C20 B)		Diesel	4WD	1995	140	190	03.16-01.24	*

# LISTA DE APLICACIONES - BUYERS GUIDE

<b>MINI COUNTRYMAN II (F60) 10.16-</b>					<b>[CAMBIADO]:Break (Supermini car-B Segment)</b>			
Cooper (B36 A15 A)		Gasolina	FWD	1499	100	136	10.16-	*
Cooper (B38 A15 A)		Gasolina	FWD	1499	100	136	10.16-	*
Cooper (B38 A15 F)		Gasolina	FWD	1499	100	136	10.16-	*
Cooper ALL4 (B38 A15 A)		Gasolina	4WD	1499	100	136	10.16-	*
Cooper ALL4 (B38 A15 F)		Gasolina	4WD	1499	100	136	10.16-	*
Cooper S (B46 A20 A)		Gasolina	FWD	1998	120	163	10.16-	*
Cooper S (B48 A20 A)		Gasolina	FWD	1998	120	163	10.16-	*
Cooper S ALL4 (B46 A20 A)		Gasolina	4WD	1998	120	163	10.16-	*
Cooper S ALL4 (B48 A20 A)		Gasolina	4WD	1998	120	163	10.16-	*
Cooper S (B46 A20 A)		Gasolina	FWD	1998	131	178	07.20-	*
Cooper S (B48 A20 A)		Gasolina	FWD	1998	131	178	07.20-	*
Cooper S (B48 A20 F)		Gasolina	FWD	1998	131	178	07.20-	*
Cooper S ALL4 (B46 A20 A)		Gasolina	4WD	1998	131	178	07.20-	*
Cooper S ALL4 (B48 A20 A)		Gasolina	4WD	1998	131	178	07.20-	*
Cooper S ALL4 (B48 A20 F)		Gasolina	4WD	1998	131	178	07.20-	*
Cooper S (B46 A20 A)		Gasolina	FWD	1998	141	192	10.16-	*
Cooper S (B48 A20 A)		Gasolina	FWD	1998	141	192	10.16-	*
Cooper S ALL4 (B46 A20 A)		Gasolina	4WD	1998	141	192	10.16-	*
Cooper S ALL4 (B48 A20 A)		Gasolina	4WD	1998	141	192	10.16-	*
John Cooper Works ALL4 (B48 A20 E)		Gasolina	4WD	1998	200	272	11.19-	*
Cooper SE ALL4 (B38 A15 A)		Gasol./el éc.	4WD	1499	92	125	07.20-	*
Cooper SE ALL4 (IA1)		Gasol./el éc.	4WD	1499	92	125	07.20-	*
Cooper SE ALL4 (B38 A15 A)		Gasol./el éc.	4WD	1499	100	136	01.17-	*
Cooper SE ALL4 (IA1)		Gasol./el éc.	4WD	1499	100	136	01.17-	*
Cooper SE (B38 A15 A)		Gasol./el éc.	4WD	1499	162	220	07.20-	*
Cooper SE (IA1)		Gasol./el éc.	4WD	1499	162	220	07.20-	*
Cooper SE ALL4 (B38 A15 A)		Gasol./el éc.	4WD	1499	165	224	01.17-	*
Cooper SE ALL4 (IA1)		Gasol./el éc.	4WD	1499	165	224	01.17-	*
Cooper D (B47 C20 A)		Diesel	FWD	1995	100	136	10.16-	*
Cooper D (B47 C20 B)		Diesel	FWD	1995	100	136	10.16-	*
Cooper D ALL4 (B47 C20 A)		Diesel	4WD	1995	100	136	10.16-	*
Cooper D ALL4 (B47 C20 B)		Diesel	4WD	1995	100	136	10.16-	*
Cooper D (B47 C20 A)		Diesel	FWD	1995	110	150	10.16-	*
Cooper D (B47 C20 B)		Diesel	FWD	1995	110	150	10.16-	*
Cooper D ALL4 (B47 C20 A)		Diesel	4WD	1995	110	150	10.16-	*
Cooper D ALL4 (B47 C20 B)		Diesel	4WD	1995	110	150	10.16-	*
Cooper SD (B47 C20 A)		Diesel	FWD	1995	120	163	10.16-	*
Cooper SD (B47 C20 B)		Diesel	FWD	1995	120	163	10.16-	*
Cooper SD ALL4 (B47 C20 A)		Diesel	4WD	1995	120	163	10.16-	*
Cooper SD ALL4 (B47 C20 B)		Diesel	4WD	1995	120	163	10.16-	*
Cooper SD (B47 C20 A)		Diesel	FWD	1995	140	190	10.16-	*
Cooper SD (B47 C20 B)		Diesel	FWD	1995	140	190	10.16-	*
Cooper SD ALL4 (B47 C20 A)		Diesel	4WD	1995	140	190	10.16-	*
Cooper SD ALL4 (B47 C20 B)		Diesel	4WD	1995	140	190	10.16-	*

**TOYOTA**

# LISTA DE APLICACIONES - BUYERS GUIDE

<b>SUPRA V (DB_) 03.19-</b>				<b>Coupé (Grand Tourer-S Segment)</b>			
2.0 (DB82, DB81, DB86) (B48L)	Gasolina	RWD	1998	145	197	06.19-	*
2.0 (DB21, DB22, DB23, DB26) (B46H)	Gasolina	RWD	1998	190	258	06.19-	*
2.0 (DB21, DB22, DB23, DB26) (B48H)	Gasolina	RWD	1998	190	258	06.19-	*
<b>ZINORO</b>							
<b>60H 07.16-</b>				<b>SUV ()</b>			
Hybrid (M13) (B38 A15 C, IA1XB2H)	Eléctrico	4WD	1499	100	136	07.16-	*